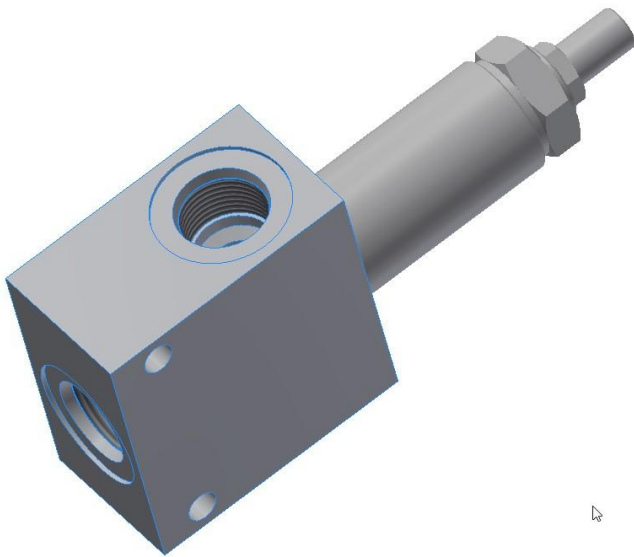


Compu-Spread

Cross-port Relief Valves CS-CPR



EFFECTIVE CONTROL

Only one adjustment to set the pressure in two flow directions and thus the maximum torque in both directions of a hydraulic motor.

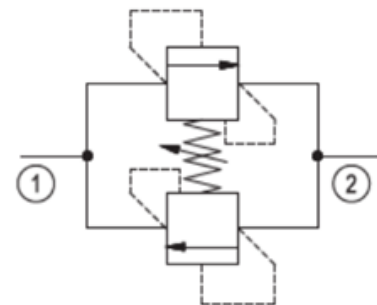
FEATURES

- Single pressure adjustment for 2 flow directions
- Fast-acting, full-flow pressure relief
- Compact, lightweight assembly

The Rexroth CS-CPR Cross-port Relief Valve has a unique double acting cartridge which provides the same pressure relief setting in two flow directions with a single adjustment. In a motor circuit it offers the same maximum torque regardless of direction of rotation. In a cylinder circuit the maximum force in either direction depends on the piston and rod annulus area ratios. Flow circuits with equal area opposing cylinders could benefit from such a valve for load protection.

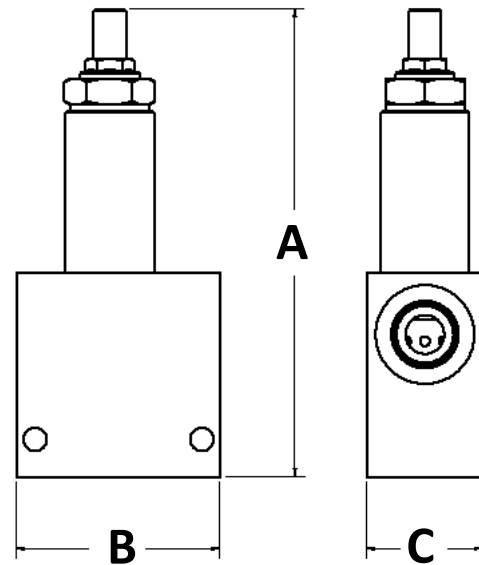
The assembly uses the Rexroth VSNG series full-flow cartridge relief valve. It blocks flow between ports 1 and 2 in both directions until pressure at either port increases to the valve setting, at which point it allows relief flow to the opposite port. The maximum difference for cracking pressure in both directions is 145 psi (10 bar).

SCHEMATIC



OVERALL DIMENSIONS—INCHES (MM)

Material #	A	B	C
R987453353	5.6 (143)	2.5 (63)	1.4 (36)
R987457727	5.6 (143)	2.5 (63)	1.4 (36)



All dimensions are approximate, intended for illustrative purposes only. Certified drawings are available upon request.

ORDERING INFORMATION

Material #	Description	Q USGPM (l/min)	Pressure (bar)	Ports	Housing Material
R987453353	CS-CPR-VSNG-10-10-1X/210-08UNF	15 (56)	3,000 psi (210)	#8 SAE "O" boss (3/4-16 UNF)	aluminum
R987457727	CS-CPR-VSNG-10-20-1X/210-08UNF	15 (56)	3,400 psi (235)	#8 SAE "O" boss (3/4-16 UNF)	ductile iron

Maximum difference for cracking pressure in both directions is 145 psi (10 bar)

Bosch Rexroth Canada Corp.
490 Prince Charles Drive S.
Welland, ON L3B 5X7
Tel: +1 905-735-0510
Toll Free: +1 877-COMPU-11
www.boschrexroth.ca/cs

© Bosch Rexroth. This document, as well as the information set forth in it, are the exclusive property of Bosch Rexroth; it may not be reproduced or given to third parties without its consent. The data specified only serve to describe the product. No statements concerning a certain condition or suitability for a certain application can be derived from our information. The information given does not release the user from the obligation of own judgment and verification. All products described herein are subject to normal aging and wear from usage. Subject to change.