

Power Float Controllers

Installation and Operations Manual

CS-105-552-SS02-A3 (Manual Reset) P/N 183432

CS-105-552-SS02-A4 (Auto Reset) P/N 232865



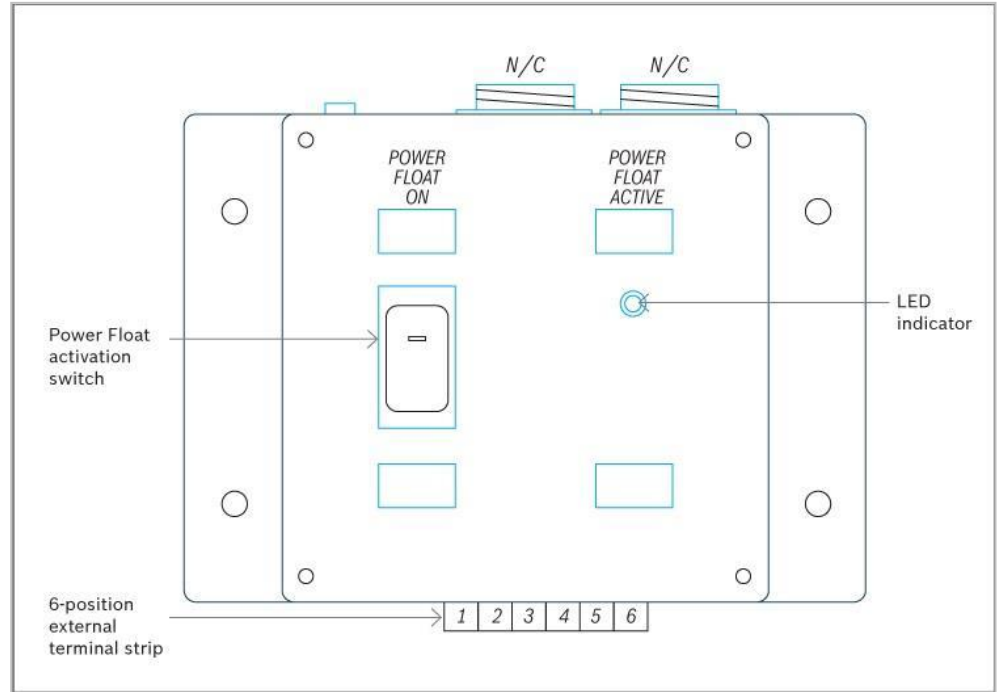
Table of Contents

1	System Layout	3
2	Installation Recommendations	4
3	Model CS-105-552-SS02-A3 Manual Reset (P/N 183432)	5
3.1	Connection Instructions	5
3.2	Operation Instructions	6
4	Model CS-105-552-SS02-A4 Auto Reset (P/N 232865)	6
4.1	Connection Instructions	6
4.2	Operation Instructions	7
5	Cable Connection	8

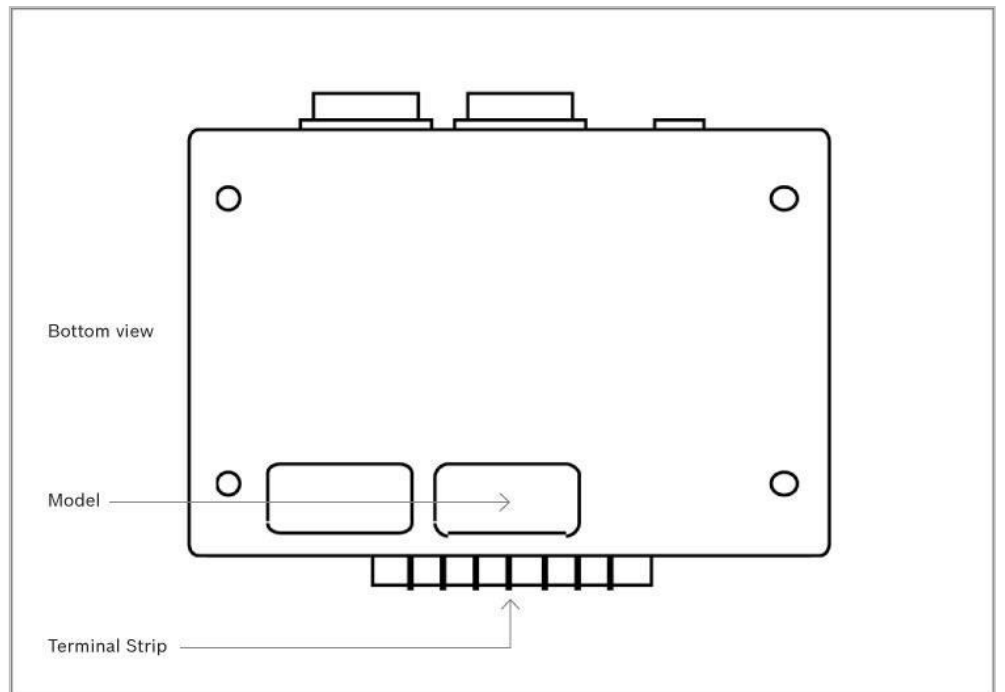
Bosch Rexroth Canada Corp. reserves the right to revise this information at any time and for any reason and reserves the right to make changes at any time, without notice or obligation, to any of the information contained in this piece of literature.

Please check for updates at: www.boschrexroth.ca/compu-spread

1 System Layout



N/C: No connection



2 Installation Recommendations

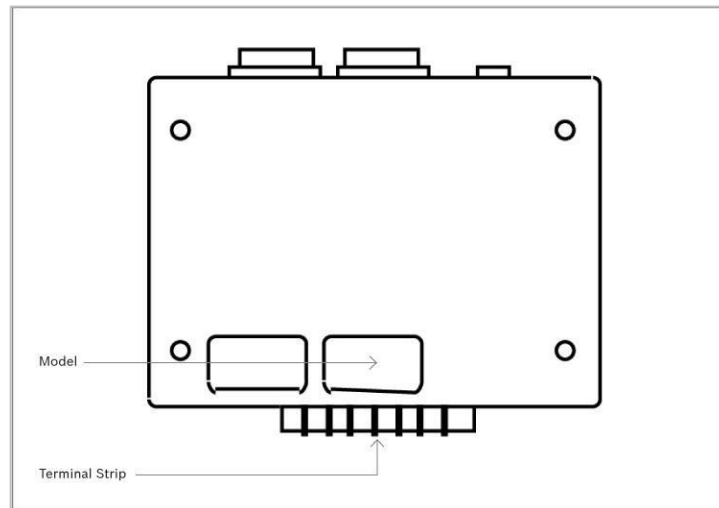
1. Read the Power Float Hydraulics Manual before starting the installation.
2. Unpack all the supplied parts and check the packing list for completeness.
3. Untie and layout all the cables supplied to ensure proper lengths.
Note: Electromagnetic devices:
Devices such as relays, magnetic switches and solenoids can generate large negative voltage spikes. These large spikes are conducted into the vehicle's electrical system and may adversely affect all electronic devices including engine computers. It is strongly recommended that these electromagnetic devices be electrically suppressed. See warnings and instructions in Body Builder manuals.
4. Connect the Controller 12V power supply and the ground wire using a dedicated circuit only (directly to the battery).
5. Connect 12V power and ground for all peripheral equipment such as GPS, Material Detection etc. to the same dedicated circuit only.
6. Ensure wiring for transmission devices such as radios, etc. are not attached to the controller or bundled with the controller wiring.
7. Disconnect the battery terminals before welding on a vehicle with electronic equipment.
8. Disconnect the negative battery terminal when wiring electronic devices.
9. Mount the consoles so that they do not interfere with vehicle controls or obstruct visibility.
10. Route cables so that they will not be abused or damaged.
11. When routing cables through metal opening, always use grommets to prevent cable damage.
12. When running wires around a dump box pivot point, ensure no connectors can be separated when the hoist is activated.
13. Tie wrap cables clear of all moving parts like drive-axles or conveyor chains.
14. Observe the cable labeling for the proper termination of inputs and outputs.
15. Use dielectric grease on all external cable connections and pins to ensure proper corrosion protection.
16. Thoroughly clean all power and ground terminals before connecting power harness.
17. Stand clear of any hydraulic functions when first powering up the system
18. DO NOT drill holes in any of the enclosures.
19. DO NOT attempt to mount components onto the sides, top or front of the console.
20. DO NOT attempt to re-wire any of the consoles.

Failure to follow the recommendations will void your warranty.

3 Model CS-105-552-SS02-A3 Manual Reset (P/N 183432)

3.1 Connection Instructions

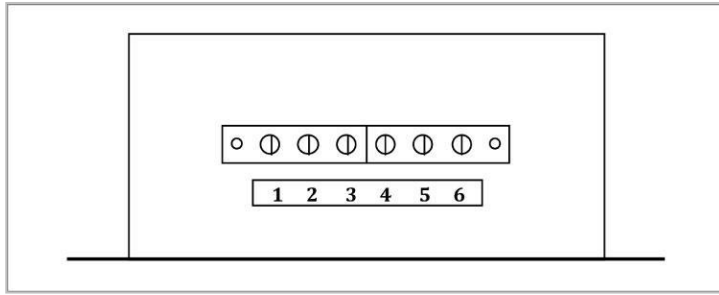
The model number and part number are located at the bottom of your power float controller.



Terminal Strip Position	Function
1	12V DC Input
2	Ground
3	Power Float Output
4	Plow Raise Input
5	Plow Lower Input
6	Plow Raise/Lower Input

3.2 Operation Instructions

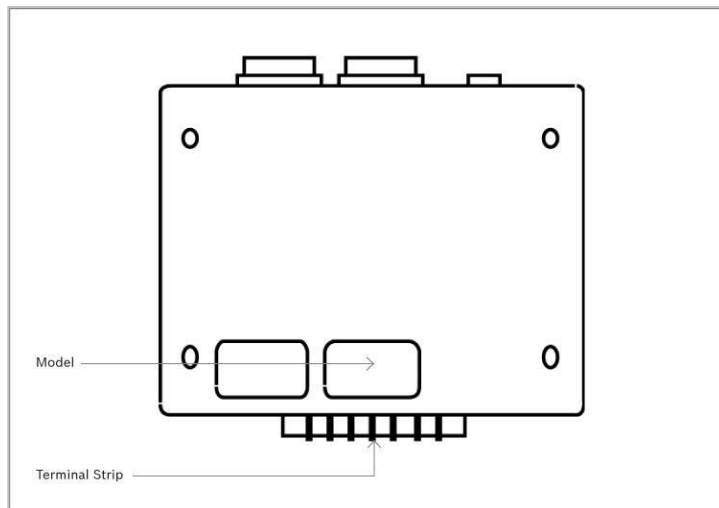
1. Activating the switch enables the power float function.
2. Upon movement of the plow joystick, the power float is disabled.
3. To reactivate the power float function, turn the power float switch off then back on.



4 Model CS-105-552-SS02-A4 Auto Reset (P/N 232865)

4.1 Connection Instructions

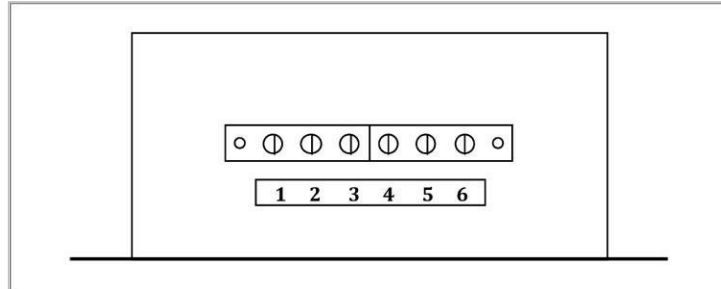
The model number and part number are located at the bottom of your power float controller.



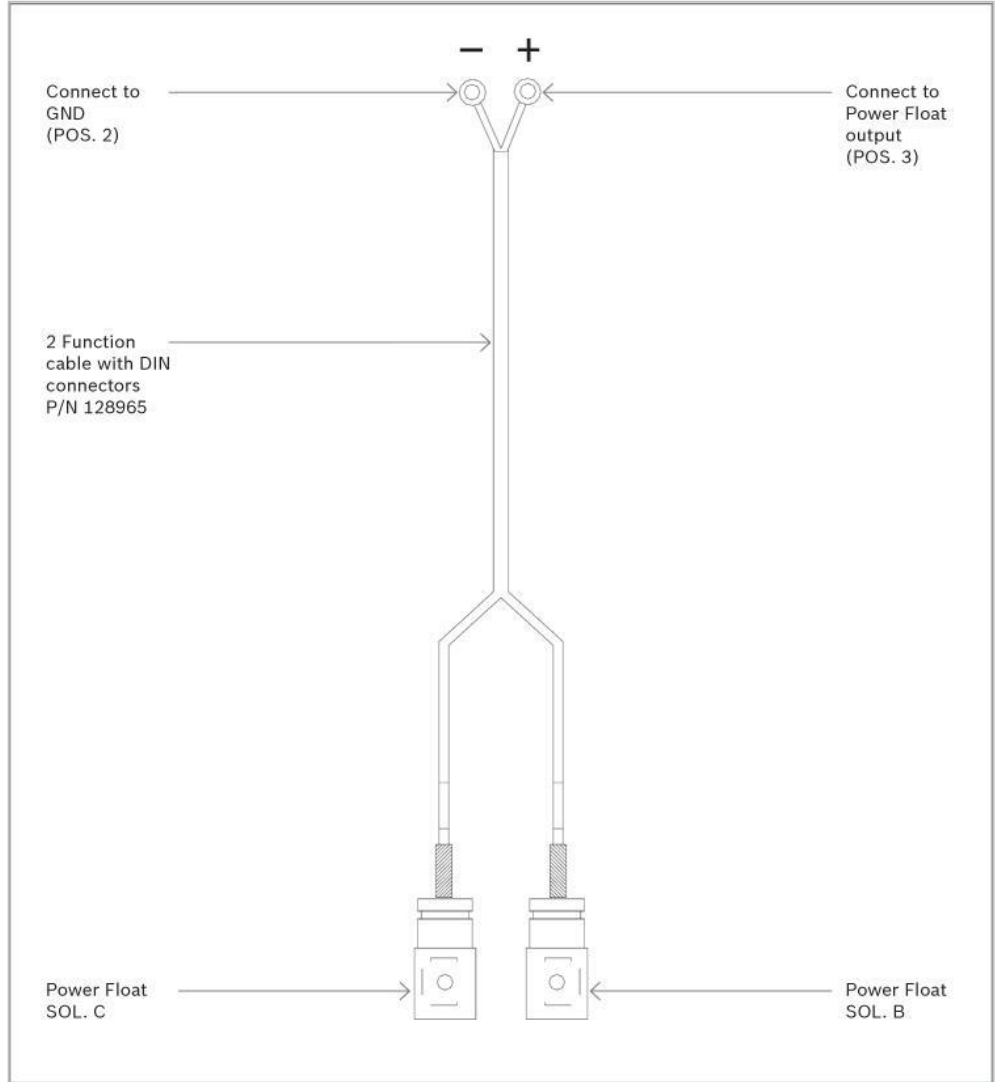
Terminal Strip Position	Function
1	12V DC Input
2	Ground
3	Power Float Output
4	
5	
6	Plow Raise/Lower Input

4.2 Operation Instructions

1. Activating the switch enables the power float function.
2. By applying a 12V DC signal to pin 6 the power float will become deactivated.
3. When you remove the 12V signal, it will automatically reset.



5 Cable Connection



Note: This cable is valid for both power float models.

Notes: