

Frequency Converter

Assembled Extension Module

Product Insert
R912006859

Edition 03

EN Frequency Converter Assembled Extension Module

ZH 变频器集成扩展卡模块

Frequency Converter Assembled Extension Module

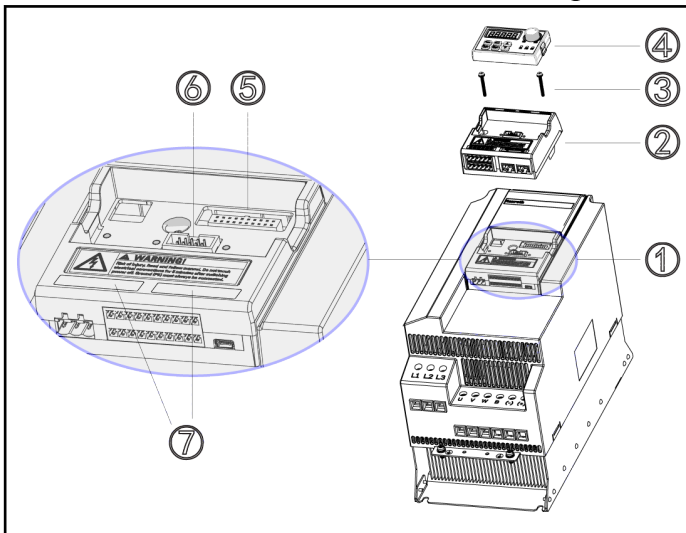
Product Insert

R912007953
Edition 03

1 Brief Introduction


Assembled extension module is used as a standard extension card module for Rexroth EFC x610 series frequency converter. The module integrates specific extension cards and the corresponding function can be realized simply through assembling the module to frequency converter. It is convenient, flexible and efficient to use.

2 Assembled Extension Module Mounting



Installation of assembled extension module

1. Remove operating panel ④ from Control & Terminal module ①.
2. Mount assembled extension module ② into Control & Terminal module ①.
3. Tighten two screws ③ to fix assembled extension module ② in Control & Terminal module ①.
4. Push operating panel ④ into assembled extension module ②.

-  ⑤: Control & Terminal module connector
⑥: Connector for operating panel
⑦: Terminal labels of extension cards

4 Product Type

4.1 Definition of Type Code

Short text	Column	1	2	3	4	5	6	7	8	9	0	1	2	3	4	5	6
Example:		F	E	A	E	0	2	.	1	-	E	A	-	N	N	N	N
Product																	
Accessory, electric..=		FEAE															
Variant																	
Extension card module.....=		02															
Line																	
1.....=		1															
Version																	
EFC.....=		E															
VFC.....=		V															
Degrees of protection																	
IP 20.....=		A															
Other design																	
None.....=		NNNN															

Type code definition of assembled extension module

4.2 Available Product

Type code	Description
FEAE02.1-EA-ETNN	Left slot is integrated with Multi-Ethernet (ET) card and right slot is reserved
FEAE02.1-EA-ETI1	Left slot is integrated with Multi-Ethernet (ET) card and right slot is integrated with I/O (L1) card
FEAE02.1-EA-PBI1	Left slot is integrated with PROFIBUS (PB) card and right slot is integrated with I/O (L1) card
FEAE02.1-EA-I1NN	Left slot is integrated with I/O (L1) card and right slot is reserved
FEAE02.1-EA-I3NN	Left slot is integrated with I/O Plus (I3) card and right slot is reserved
FEAE02.1-EA-I3E2	Left slot is integrated with I/O Plus (I3) card and right slot is integrated with Resolver (E2) card
FEAE02.1-EA-ETE2	Left slot is integrated with Multi-Ethernet (ET) card and right slot is integrated with Resolver (E2) card
FEAE02.1-EA-ETI3	Left slot is integrated with Multi-Ethernet (ET) card and right slot is integrated with I/O (I3) card

Bosch Rexroth (Xi'an) Electric Drives and Controls Co., Ltd.



Development Zone, 710021
Xi'an, P.R. China
Tel: +86 29 86555100
www.boschrexroth.com.cn/fc

Copyright

© Bosch Rexroth (Xi'an) Electric Drives and Controls Co., Ltd. 2021
All rights reserved, also regarding any disposal, exploitation, reproduction, editing, distribution, as well as in the event of applications for industrial property rights.

变频器 集成扩展模块

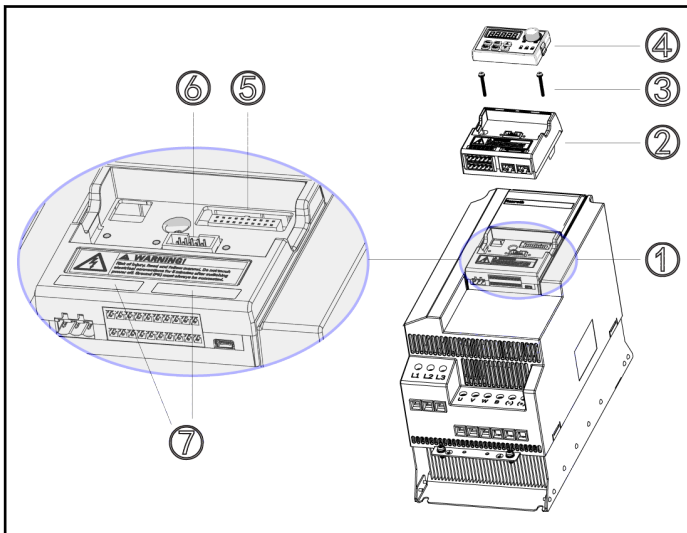
产品插页

R912007954
版本 **03**

1 简介


集成扩展模块是配合 Rexroth EFC X610 系列变频器使用的标准扩展卡应用模块。该模块预安装了特定的扩展卡，用户只需将模块安装至变频器上，即可实现相应的扩展功能，使用方便、灵活、高效。

2 集成扩展模块的安装



集成扩展模块的安装

1. 从控制&端子模块①上取下操作面板④。
2. 将集成扩展模块②安装于控制&端子模块①。
3. 打紧两颗螺钉③，将集成扩展模块②固定于控制&端子模块①。
4. 将操作面板④压入集成扩展模块②。

-  ⑤: 控制&端子模块连接器
⑥: 操作面板连接器
⑦: 扩展卡端子标签

4 产品类型

4.1 类型编码定义

缩写栏	1	2	3	4	5	6	7	8	9	0	1	2	3	4	5	6
示例:	F	E	A	E	0	2	.	1	-	E	A	-	N	N	N	N
产品																
附件, 电气.....=	FEAE															
类别																
扩展卡盒.....=	02															
第几代产品																
1.....=	1															
版本																
EFC.....=	E															
VFC.....=	V															
防护等级																
IP 20.....=	A															
其他设计																
无.....=	NNNN															

集成扩展模块类型编码

4.2 用户可购买的产品类型

产品类型编码	描述
FEAE02.1-EA-ETNN	扩展卡盒左侧卡槽预安装 Multi-Ethernet (ET) 卡, 右侧卡槽预留(NN)
FEAE02.1-EA-ETI1	扩展卡盒左侧卡槽预安装 Multi-Ethernet (ET) 卡, 右侧卡槽预安装 I/O (I1) 卡
FEAE02.1-EA-PBI1	扩展卡盒左侧卡槽预安装 PROFIBUS (PB) 卡, 右侧卡槽预安装 I/O (I1) 卡
FEAE02.1-EA-I1NN	扩展卡盒左侧卡槽预安装 I/O (I1) 卡, 右侧卡槽预留(NN)
FEAE02.1-EA-I3NN	扩展卡盒左侧卡槽预安装 I/O (I3) 卡, 右侧卡槽预留(NN)
FEAE02.1-EA-I3E2	扩展卡盒左侧卡槽预安装 I/O Plus (I3) 卡, 右侧卡槽预安装 Resolver (E2) 卡
FEAE02.1-EA-ETE2	扩展卡盒左侧卡槽预安装 Multi-Ethernet (ET) 卡, 右侧卡槽预安装 Resolver (E2) 卡
FEAE02.1-EA-ETI3	扩展卡盒左侧卡槽预安装 Multi-Ethernet (ET) 卡, 右侧卡槽预安装 I/O (I3) 卡



Bosch Rexroth AG

P.O. Box 13 57

97803 Lohr a.Main, Germany

Bgm.-Dr.-Nebel-Str. 2

97816 Lohr a.Main, Germany

Phone +49 9352 18 0

Fax +49 9352 18 8400

www.boschrexroth.com/electrics



R912006859