

# I/O Module

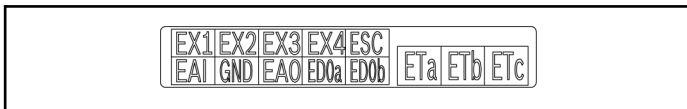
## I/O Card, Relay Card

### Label, Terminals Descriptions, Wiring

Product Insert

**R912006326**  
**Edition 02**

### I/O Card Terminals Label



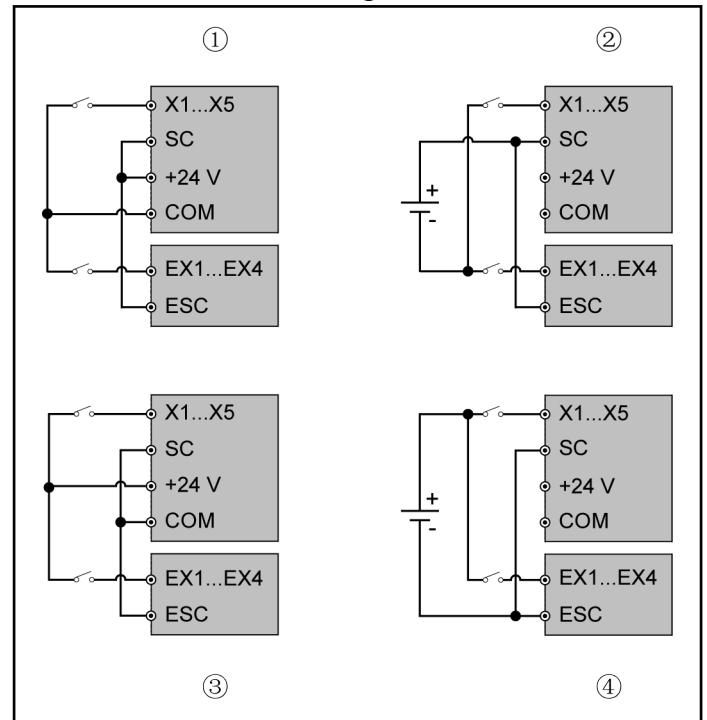
I/O card terminals label

### I/O Card Terminals Descriptions

Terminal	Signal requirement	Description
EX1... EX4	Multi-function digital inputs: 24 VDC, 8 mA / 12 VDC, 4 mA with opto-electric couplers	See parameter group H8
ESC	-	Isolation optocouplers shared connection
EAI	Voltage input range: -10...10 V* Voltage input impedance: > 20 kΩ Resolution: 1/1,000 Current input range: 0/4...20 mA Current input impedance: < 500 Ω Resolution: 1/1,000	The power supply is +5 V and +10 V from the frequency converter See parameter group H8
GND	-	Analog terminals shared connection, isolated from ESC
EAO	Voltage output range: 0...10 V Voltage output load impedance: > 2 kΩ Current output range: 0...20 mA Current output load impedance: < 500 Ω	See parameter group H8
EDOa, EDOb	Open collector output: Max. 30 VDC, 50 mA	See parameter group H8 ESC is reference
ETa, ETC	Rated capacity of relay outputs: 250 VAC, 3 A; 30 VDC, 3 A	See parameter group H8 ETb is the relay outputs shared connection
ETb		

\* For -10 V input, external power supply must be provided. A frequency converter **ONLY** provides +5 V and +10 V.

### I/O Card Terminals Wiring



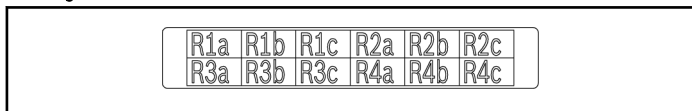
I/O card terminals wiring

- ①: NPN with internal power supply
- ②: NPN with external power supply
- ③: PNP with internal power supply
- ④: PNP with external power supply



- ▶ X1...X5, SC, +24 V, COM are control terminals of the frequency converter, EX1...EX4, ESC are control terminals of the I/O card.
- ▶ Details on wiring of EAI, EAO, EDOa and EDOb, see **Quick Start Guide** of frequency converter.

### Relay Card Terminals Label



Relay card terminals label

### Relay Card Terminals Descriptions

Terminal	Signal requirement	Description
R1a, R1c, R1b	Rated capacity: 250 VAC, 3 A 30 VDC, 3 A	See Group H9 R1b, R2b, R3b, R4b are relay outputs shared connections
R2a, R2c, R2b		
R3a, R3c, R3b		
R4a, R4c, R4b		



Details on wiring and noise suppression, see **Quick Start Guide** of frequency converter.



**Copyright**

© Bosch Rexroth (Xi'an) Electric Drives and Controls Co., Ltd. 2017  
 All rights reserved, also regarding any disposal, exploitation, reproduction, editing, distribution, as well as in the event of applications for industrial property rights.