

Frequency Converter I/O Plus Card

Product Insert

R912007670
Edition 01

1 Start

I/O plus card is one standard extension card for Rexroth frequency converter series of VFC & EFC x610. This I/O plus card has to be used with extension card module together.

2 Terminals Description

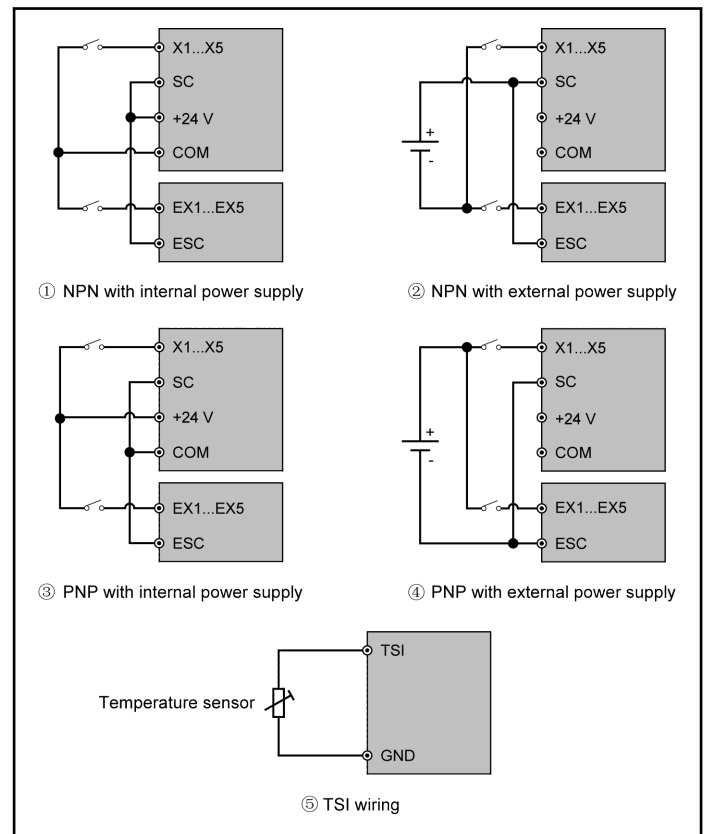
Terminal	Signal function	Description
EX1...EX5	Multi-function digital inputs: 24 VDC, 8 mA / 12 VDC, 4 mA with optocouplers isolation	See parameter group H8
ESC	-	Isolation optocouplers shared connection
EAI1 / EAI2	Analog voltage / current inputs Voltage input range: -10...10 V* Input impedance: > 20 kΩ Resolution: 1/1,000 Current input range: 0/4...20 mA Input impedance: < 500 Ω Resolution: 1/1,000	The power supply is +5 V and +10 V from the fre- quency converter See parameter group H8
TSI	Supported sensor types: KTY 84/130, PT100, PT1000, TDK G1551_8320 (NTC)	GND is reference
GND	-	Analog terminals shared connection, isolated from ESC
EAO	Analog voltage / current outputs Voltage output range: -10...10 V Output load impedance: > 500 Ω Current output range: 0...20 mA Output load impedance: < 500 Ω	See parameter group H8
EDO1a, EDO1b, EDO2a, EDO2b	Open collector output: Max. 30 VDC, 500 mA	See parameter group H8

* For -10 V input, external power supply must be provided. A frequency converter **ONLY** provides +5 V and +10 V

3 Terminals Mapping

EX1	ESC	EX2	EX3	ESC	EX4	EX5	EDO1a	EDO1b
EAI1	GND	EAI2	GND	TSI	GND	EAO	EDO2a	EDO2b

4 Wiring



5 Type Code

Typecode	Description
FEAE04.1-IO3-NNNN	VFC & EFC x610 I/O plus card
FEAE02.1-VA-NNNN	VFC x610 extension card module
FEAE02.1-EA-NNNN	EFC x610 extension card module

