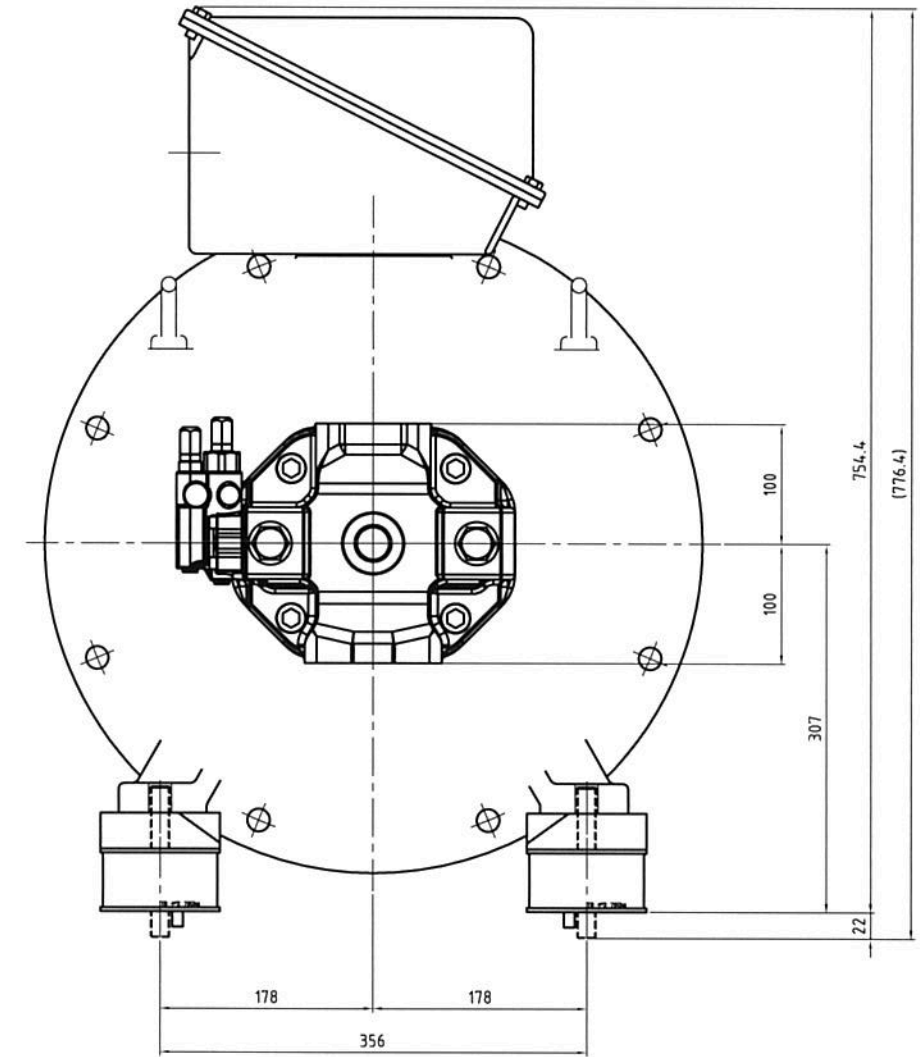
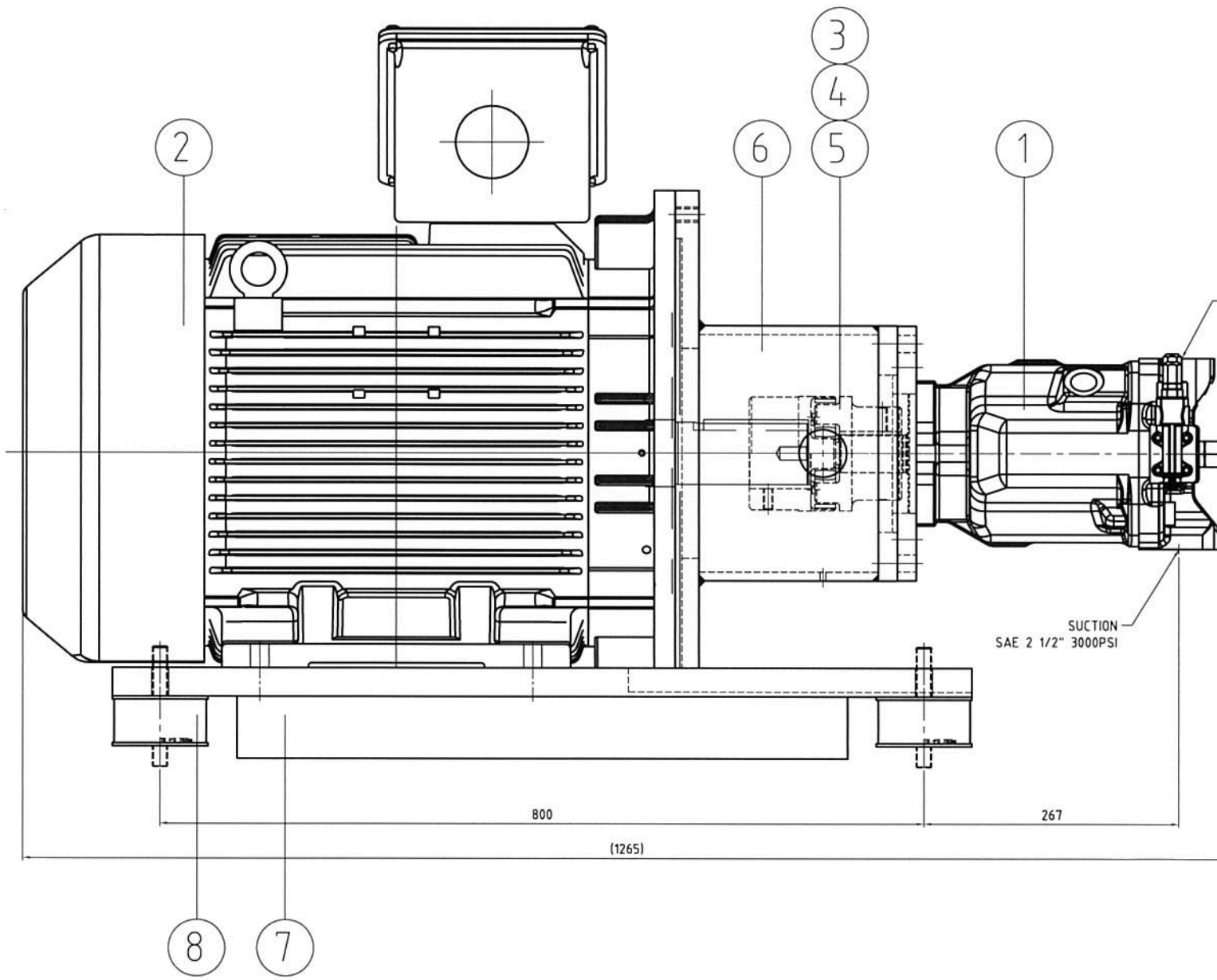


MNR	RP87444P45
Spec	A10V50100DFRPP-45TC63154 2501HYO-DIH
Date	2016. 10. 05
SO No.	

No.	Description	MNR	Specification	Q'ty	Weight
1	Axial Piston Pump	R910939643	A10VS0100 DFR /31R-PPA12N00	1	45
2	Electric Motor	R987444732	HYO - 45kW x 440V, 60Hz x 6P x B35 PSA, IE3 (POSCO)	1	345
3	Coupling Hub (Pump)	R900028343	AB33-22/KD 55-40	1	3.7
4	Coupling Hub (Motor)	R901384287	ROTEX55-GG/1.0A-65	1	4.1
5	Spider	R901348919	ROTEX55-98SHA/T-PUR	1	0.2
6	Bell Housing	R987362720	BH-H0000018-WI05	1	50
7	Strip	R987342483	AB-MP-H0000019-WL01	1	48
8	Damping Bearing	R987335641	M16x100MM	4	12

Total Weight : 508 Kg



XXX 20xx.xx.xx Index		XXX 20xx.xx.xx created		J.H.Lee 20xx.xx.xx checked		XXXXXX 20xx.xx.xx approved		변 / change note	
일반사지 KS A ISO 13715	윤곽선 KS B ISO 1291	윤곽선 KS B ISO 1291	윤곽선 KS B ISO 1291	윤곽선 KS B ISO 1291	윤곽선 KS B ISO 1291	윤곽선 KS B ISO 1291	윤곽선 KS B ISO 1291	윤곽선 KS B ISO 1291	윤곽선 KS B ISO 1291
Rexroth Bosch Group			PUMP STATION HYO-45kWx6PxB35 + A10VS0100			FE027-A10100-45-02-A			13 A1