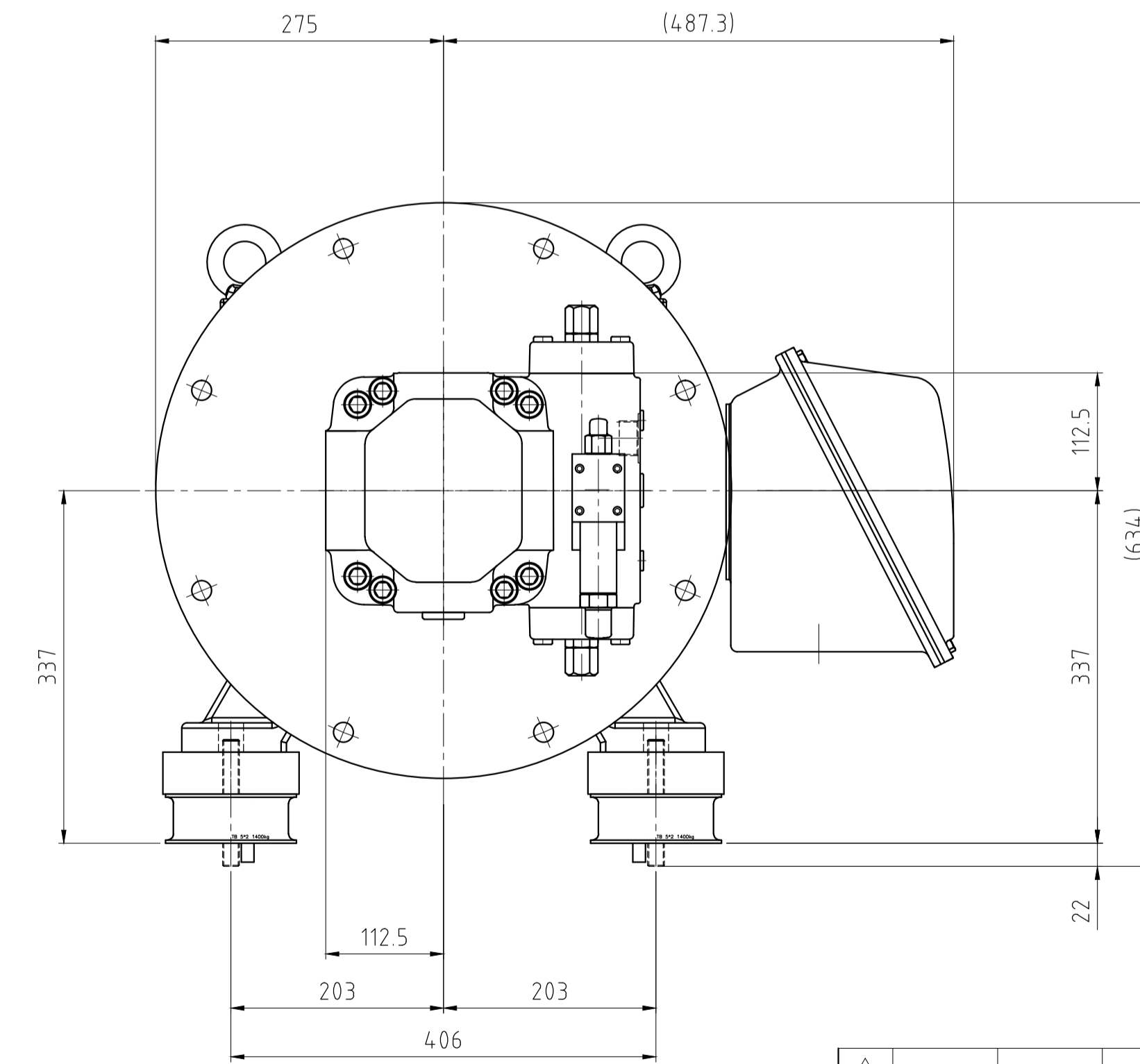
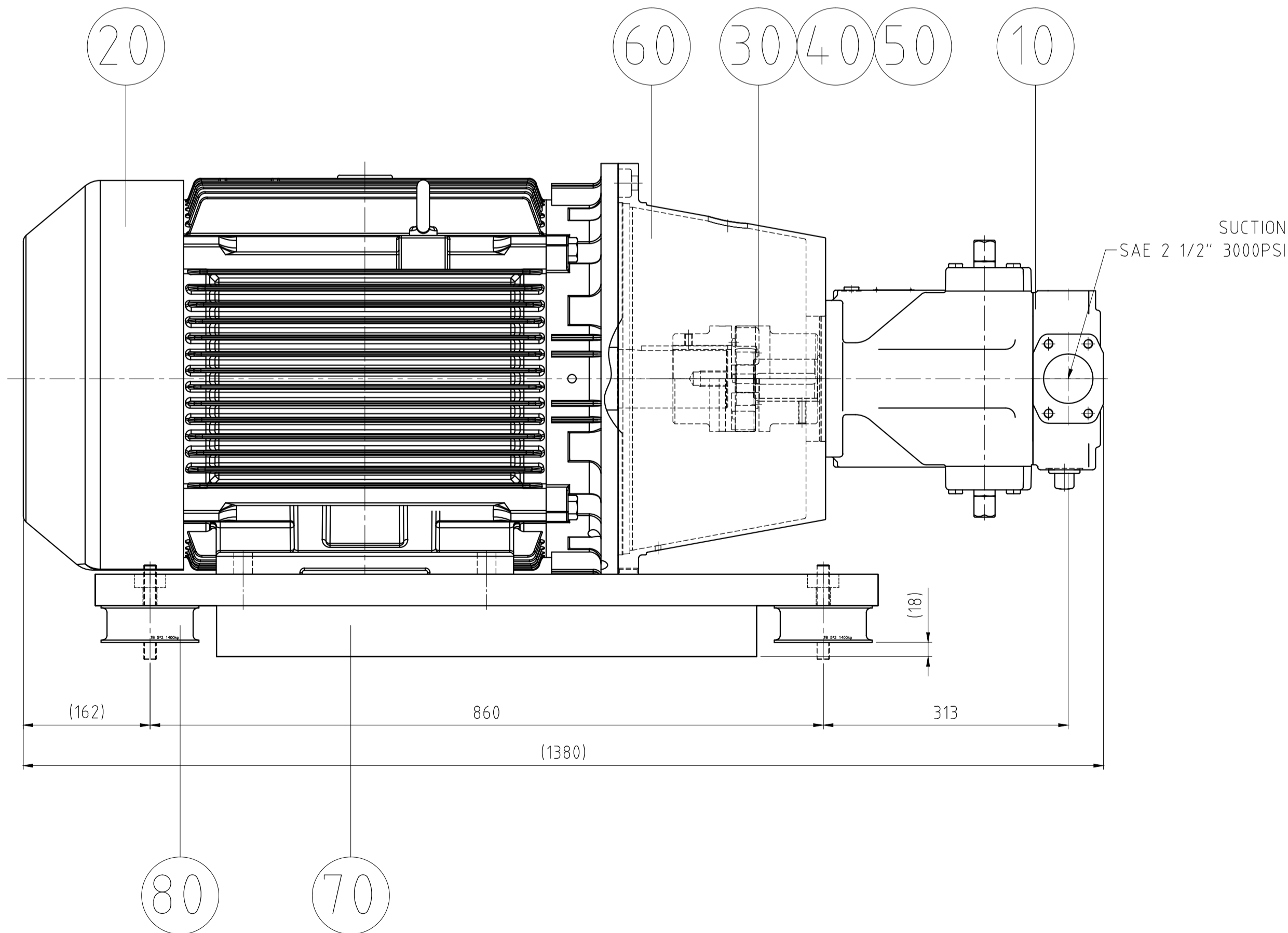


No.	Description	MNR	Specification	Q'ty	Weight
10	Axial Piston Pump	R9024-38020	A A4VS0 125 DR/30R-FPB13N00	1	88.0
20	Electric Motor	-	55kW x 6P 440V 60Hz (B3B5,E3) 효성모터 (단차대: SIDE)	1	573.0
30	Coupling Hub (Pump)	R901434845	ROTEX65-GG/1.0-50	1	6.8
40	Coupling Hub (Motor)	R901406946	ROTEX65-ST/1.0-75	1	8.3
50	Spider	R901361267	ROTEX65-98SHA/T-PUR	1	0.2
60	Bell Housing	R987335642	PL 550/01/05-73	1	11.0
70	Strip	R987369739	AB-MP-H0000019-WM01	1	88.0
80	Damping Bearing	R987335642	M16x125MM	4	16.0

Total Weight : 791.3 Kg



Index		작성/created		검토/checked		승인/approved		변경내용 / change note	
일반도면기 edge radii	형상공차 KS B ISO 1101	위치 shape and position	공차 tolerance	용접기호 welding symbol	일반공차 KS B ISO 2768-mk	표면처리 KS A ISO 1302	일반공차 KS B ISO 2768-mk	표면처리 KS A ISO 1302	일반공차 KS A ISO 1302
수주번호/sale order no.	고객/customer		무게/weight in kg	소재/material descr (KS)		처리/finish process			
부서/depart.		Document		FE		용량/item name		장수/sheet	
Design		날짜/date		이름/name		PUMP STATION		01	
작성/created		2022.04.25		D.G.LEE		HYO-55kWx6Px35 + A4VS0125		01	
검토/checked		2022.04.26		D.Y.BAE		Industrial Hydraulics		15	
승인/approved		2022.04.26		J.H.Lee		FE027-A4V125-55-02-A		15	
Index / A		첫번째도면/First issue							

Diese Unterlage darf weder kopiert noch Dritten Personen zugänglich gemacht werden. Schutzvermerk DIN34 beachten.
 This document may not be copied or passed on to a third person. Copyright reserved.
 이 도면은 무단으로 복사, 배포, 전수, 대여, 대여, 무단으로 사용할 수 없습니다.