












RFID Systems

Version **4.0**

ID 200 / ID 40 / ID 15 / ID 10

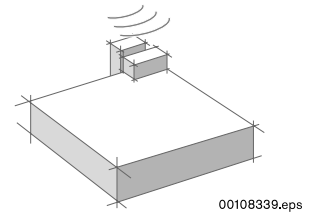


Symbols

	Suitable for use in ESD sensitive areas. Please contact your Rexroth representative.
	Protection class [IP]
	Dynamic data transmission
	Working frequency
	Pneumatic connection required
	PROFIBUS DP
	AS-interface
Modbus	ModbusTCP
	EtherNet/IP
	PROFINET
	Reference to technical data/dimensions
	Reference to another page

RFID systems

Table of Contents



Introduction	1
RFID system ID 200	2
RFID system ID 40	3
RFID system ID 15	4
Identification system ID 10	5
Technical data	6
Overview of part numbers, Index	7

RFID systems

RFID in assembly technology

Identification and data storage systems are used for controlling numerous production and transport systems in assembly technology. On the one hand, data related to objects is the basis for targeted control of process and processing steps and, on the other, is used for type or variant-dependent infeeding and outfeeding of workpiece pallets when manufacturing product variants on multi-branch flexible assembly systems.

Two basic principles are used for dealing with workpiece-related data:

Central data storage

Based on central collection of all workpiece-relevant data. Reliable identification of the workpiece at the processing station is required so that the appropriate data can be retrieved from the central data storage location.

Decentralized data storage

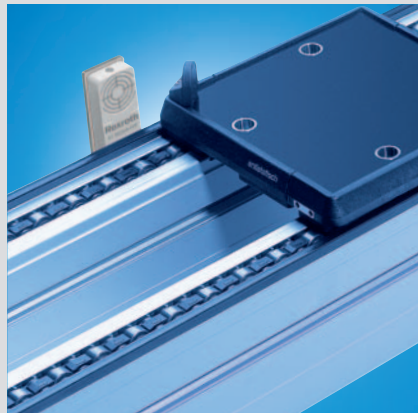
Based on mobile data tag systems, where the workpiece-relevant data is sent along directly with the workpiece (or on the workpiece pallet). Powerful read and write heads that can read out or modify the information needed at the processing stations.



ID 200 - VarioFlow



ID 200 - TS 5



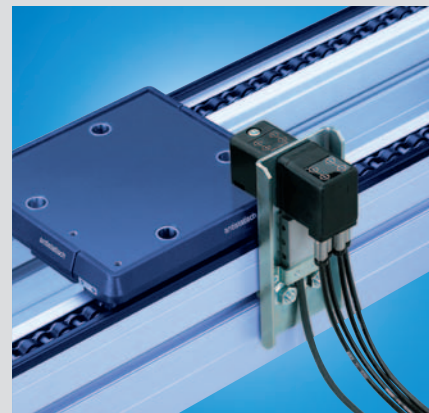
ID 200 - TS 2plus



ID 40 - TS 2plus



ID 15 - TS 2plus



ID 10 - TS 2plus

RFID systems

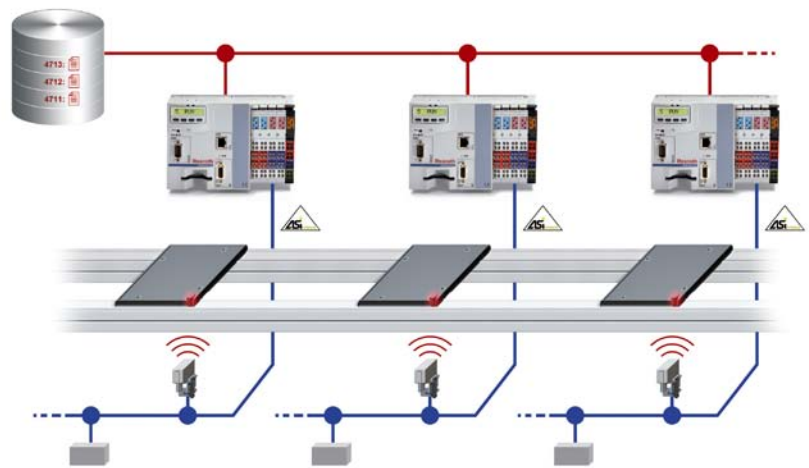
Types of data storage

Central data storage

With central data storage, the data related to the process and product is centrally collected.

Mobile data tags on the workpiece pallet, as well as the appropriate reading devices, ensure reliable identification of the workpieces at the processing stations. Using the workpiece ID, the appropriate data set is indexed to load the data into the PLC or cell control. The cell control unit reads the product type (variants, order or production lot) and the corresponding manufacturing status. This information is used to indicate whether any process steps are necessary and which ones.

At the end, after finishing in the processing station, the information in the data set is supplemented. The data flow between the processing station and the host process requires a network.

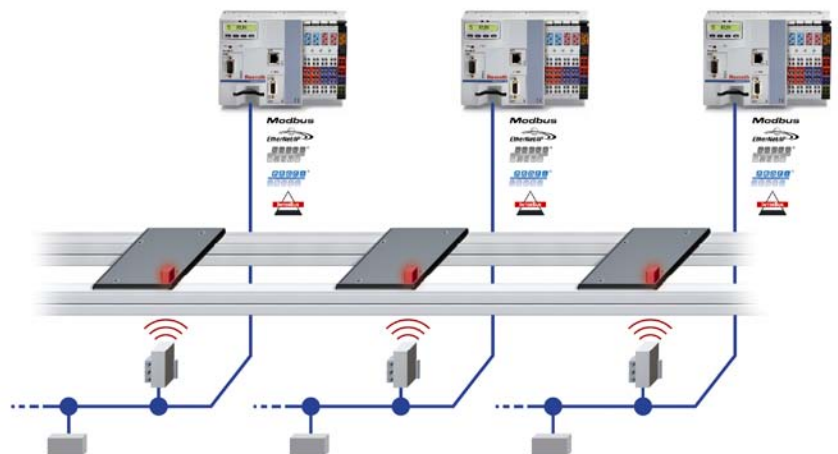


Decentralized data storage

With decentralized data storage, the data related to the process and product accompanies the workpiece.

To do this, the workpiece pallets are equipped with a mobile data tag with more storage capacity, which offers the option to read and write data.

The data is always up-to-date at every processing station thanks to the read/write heads that can read out and edit data at any time. The individual stations can thus carry out the production process independently; a network is not necessary for the workpiece data.



RFID systems

Main features

System		ID 200	ID 40	ID 15	ID 10
Central data storage		++	0	++	0
Decentralized data storage		++	++	-	+
PLC connection via	AS-i	-	-	+	-
	PROFIBUS DP	+	+	-	-
	Modbus	+	-	-	-
	EtherNet/IP	+	-	-	-
	PROFINET	+	-	-	-
	TCP/IP	+	-	-	-
	Parallel	-	-	-	+
Data	Write	+	+	0	+
	Read	+	+	+	+
Installation on workpiece pallet	Assembly module	+	+	+	+
	Integration	+	-	+	-
Maximum speed for dynamic reading	(m/min)	30	30	20	0
Frequencies		125 kHz 13.56 MHz	1.28 MHz	125 kHz	-
Max. static reading distance	(mm)	35	12	20	3
Operating temperature	(°C)	-25 to +85	0 to +70	-40 to +85	+5 to +60
Min. number of write cycles		10 billion	10 billion	100000	10 million
Max. storage size		2 KB	32 KB	15 bits	2 bit/MDT

RFID system ID 200

RFID system ID 200

Operating principle	2-2
Communication module	2-4
Antenna	2-5
Mobile data tag	2-6
Mounting kits	2-8
Mounting options	2-10
Accessories – cable	2-12
Diagnostic devices	2-14

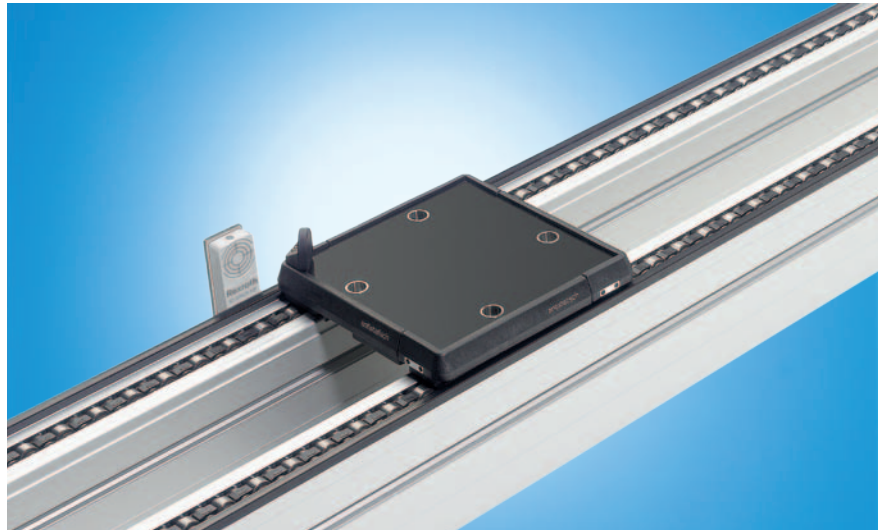
RFID system ID 200

RFID system ID 200



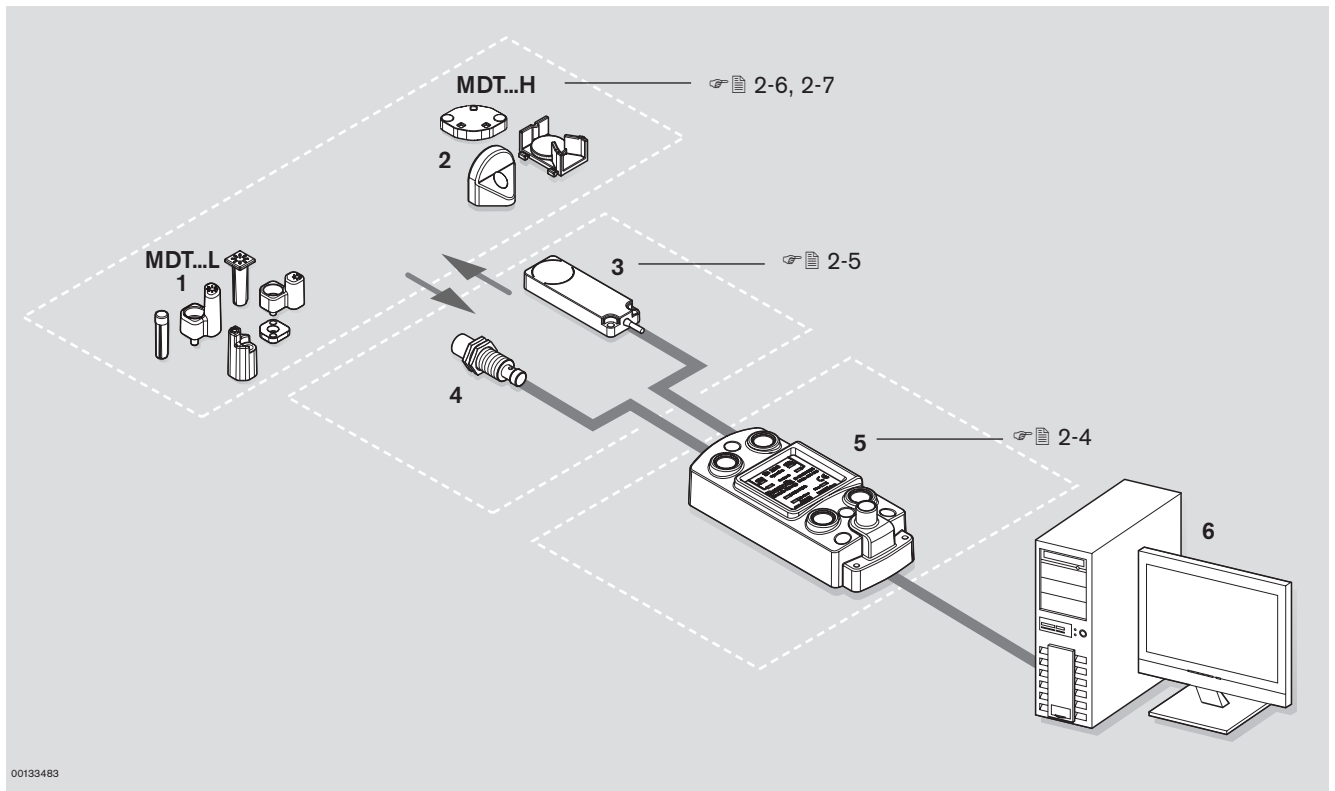
The RFID system ID 200 is a modular identification system developed for industrial use in production environments. The system consists of mobile data tags, antennas and communication modules. It is characterized by the robust and compact construction of its components, as well as by particularly interference-resistant and safe data transmission.

ID 200 is ideal for applications with central or decentralized data storage. The mobile data tags with cost-effective EEPROM memory are very small and suitable for applications with low data volume. The design with FRAM memory is able to store larger data quantities decentrally and can be read/written almost an indefinite number of times. They are preferable for applications with short transmission times. Antennas are available in various construction designs and transmission frequencies. This allows the best design to be selected for each application and installation location. The communication modules connect the antennas and the master control system. They can control up to two antennas simultaneously, even with different frequencies. The interface to the control system can be either PROFIBUS DP or Ethernet.



00133431

RFID system ID 200



1 Mobile data tags MDT...L for 125 kHz.
2 Mobile data tags MDT...H for 13.56 MHz

3 Flat antennas A...F for 125 kHz or 13.56 MHz.
4 Round antennas A...R for 125 kHz or 13.56 MHz

5 Communication module C-... for PROFIBUS or Ethernet.
6 Control system

RFID system ID 200

Communication module ID 200/C-...



00133453

The communication module connects the antennas with the control system. There are plug-in connections for up to two antennas, which can be simultaneously active and are able to work with different frequencies. A digital sensor can optionally be connected at each antenna connection. Parameterization and diagnosis are performed via the integrated web server.

ID 200/C-PDP

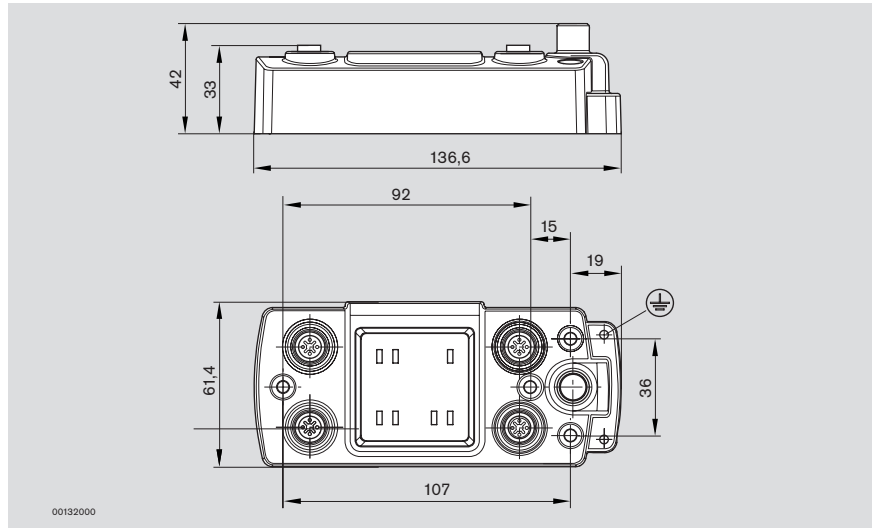
The connection to the control system is established via PROFIBUS-DPV0. The integrated web server can be reached via a separate RS-232 interface.

ID 200/C-ETH

The connection to the control system is established via Ethernet. Ethernet protocols PROFINET/IO, Modbus/TCP and EtherNet/IP are available in addition to TCP/IP. An integrated switch allows cabling in line structure as well as the classical Ethernet star-form cabling.

Communication module ID 200/C-...

	No.
ID 200/C-PDP	3 842 410 061
ID 200/C-ETH	3 842 410 060



00132000

Operating voltage	20 to 30 VDC, PELV
Ripple	≤ 10%
Power consumption	Max. 1.5 A (incl. 2 antennas)
Status displays	7 LEDs
Connections	RS232 ID 200/C-PDP PROFIBUS-DPV0 PROFINET ID 200/C-ETH Ethernet/IP Modbus/TCP TCP/IP
Protection class	IP65
Housing material	Aluminum, powder coated RAL 7035
Ambient temperature	-25 to +70°C
Storage temperature	-30 to +80°C
Humidity	Max. 96%
Vibration resistance	3.5 mm (10 to 55 Hz); 20 g (55 to 2000 Hz)
Shock and impact resistance	70 g/6 ms, 18 cycles
Approvals	EN 300330, ETS 300683, CE, FCC
Mass	0.5 kg

RFID system ID 200

Antenna ID 200/A-...



The antennas enable reading from and writing to mobile data tags MDT...L (125 kHz, low frequency) or MDT...H (13.56 MHz, high frequency). The antennas are intended for operation with a communication module, which supplies them with voltage.

Antenna ID 200/A-...F (flat antenna)

The flat design of the antenna is optimal for installation on the side of transfer systems. Other installation sites are possible with the corresponding mounting kits.

Antenna ID 200/A-...R (round antenna)

The round design of the antenna is particularly suited for reading data tags mounted on the bottom of workpiece pallets. Other installations are possible with the corresponding mounting kits.

Accessories: Mounting kits 2-8

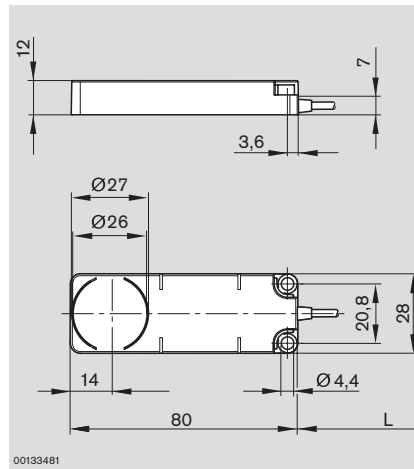
Note:

Mobile data tags MDT.../...H for 13.56 MHz 2-6

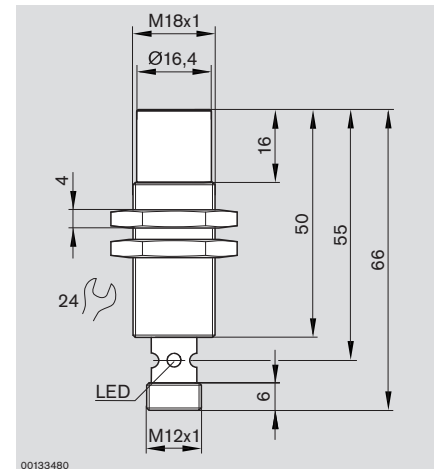
Mobile data tags MDT.../...L for 125 kHz 2-7



00133438



00133481



00133480

Antenna ID 200/A-...F

	No.
ID 200/A-HF (13.56 MHz)	3 842 410 065
ID 200/A-LF (125 kHz)	3 842 410 176

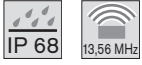
Antenna ID 200/A-...R

	No.
ID 200/A-HR (13.56 MHz)	3 842 410 063
ID 200/A-LR (125 kHz)	3 842 410 177

Type	ID 200/A-LR	ID 200/A-LF	ID 200/A-HR	ID 200/A-HF
Operating voltage (from communication module)	24 V	24 V	24 V	24 V
Power consumption	0.35 A	0.35 A	0.35 A	0.35 A
Status display	LED yellow/green	LED yellow/green	LED yellow/green	LED yellow/green
Protection class	IP67	IP67	IP67	IP67
Housing material	PBT/ stainless steel	ABS	PBT/ stainless steel	ABS
Ambient temperature	-25 to +70°C	-25 to +70°C	-25 to +70°C	-25 to +70°C
Storage temperature	-40 to +85°C	-40 to +85°C	-40 to +85°C	-40 to +85°C
Humidity	Max. 96%	Max. 96%	Max. 96%	Max. 96%
Vibration resistance	1 mm (10 to 55 Hz); 5 g (10 to 2000 Hz)			
Shock and impact resistance	30 g/11 ms, 18 cycles			
Mass	0.1 kg	0.1 kg	0.1 kg	0.1 kg
Transmission frequency	125 kHz	125 kHz	13.56 MHz	13.56 MHz
Write/read distance				
- Static	18 mm	18 mm	35 mm	35 mm
- Dynamic (v = 20 m/min)	16 mm	16 mm	30 mm	30 mm
Min. distance between two antennas				
- Multiplex operation	30 mm	50 mm	30 mm	100 mm
- Simultaneous operation	180 mm	290 mm	80 mm	150 mm

RFID system ID 200

Mobile data tags MDT...H (13.56 MHz)



The mobile data tags are compatible with international standard ISO 15693 (13.56 MHz) and operate without a battery with FRAM memory. Several housing types allow for many installation positions on the workpiece pallet or directly on the products to be identified. The data tags can be read from several sides, also dynamically while passing.

MDTs with FRAM memory

- Storage capacity: 2000 byte user memory
- Each with an additional and unique 64 bit serial number
- Read/write cycles: 10^{10}

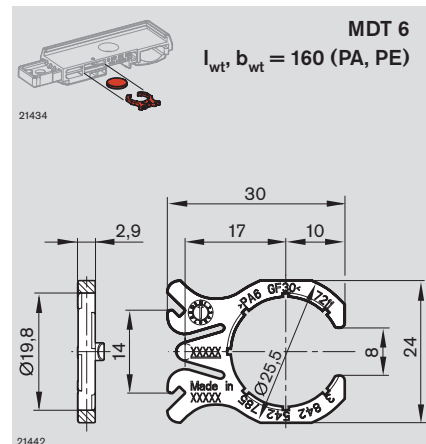
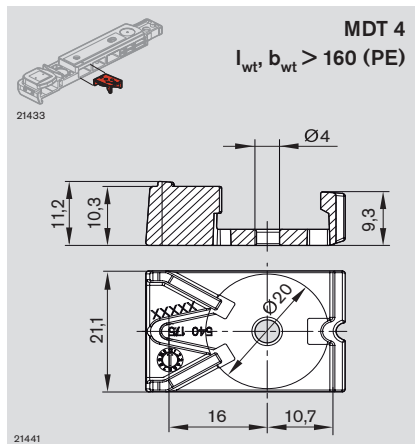
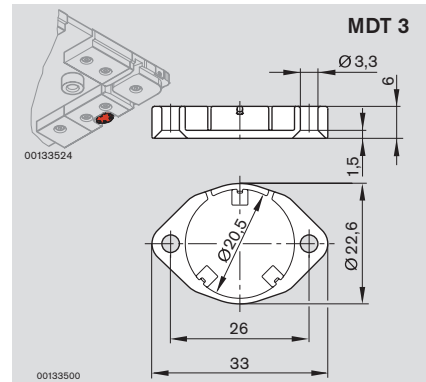
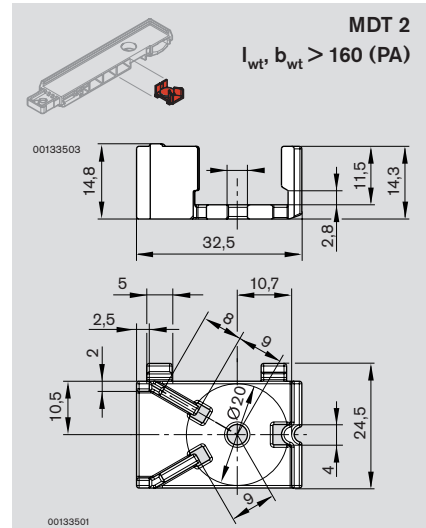
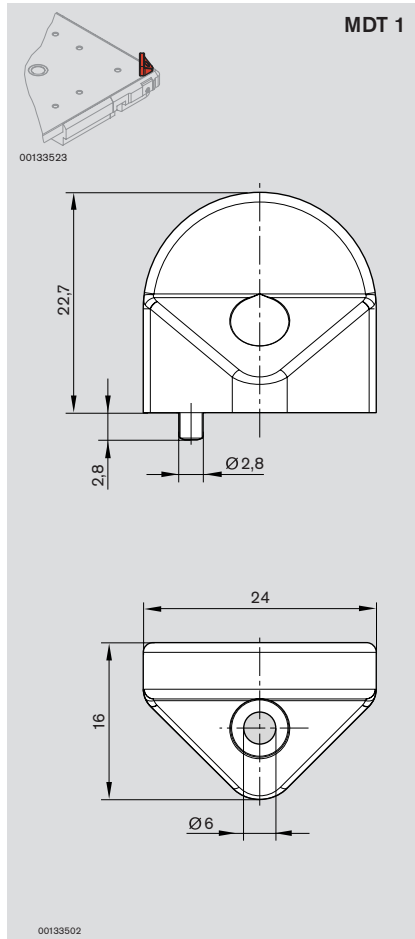
MDTs with FRAM memory

		No.
MDT 1/2K-H	5	3 842 410 104
MDT 2/2K-H	5	3 842 410 103
MDT 3/2K-H	5	3 842 410 102
MDT 4/2K-H	5	3 842 410 124
MDT 6/2K-H	5	3 842 410 184

Type	MDT.../2K-H
Frequency	13.56 MHz
Conformity with standards	ISO 15693
Storage capacity	2000 bytes
Data access	8-byte block
Memory type	FRAM
Number of write cycles	≥ 10 billion
Number of read cycles	Unlimited
Transfer distance	
- Static	35 mm
- Dynamic	30 mm
Ambient temperature during operation	-25 to +85°C
Housing material	PA66



00133441



RFID system ID 200

Mobile data tag MDT...L (125 kHz)



The mobile data tag MDT.../28-L is located directly on the workpiece pallet and stores the identification assigned by the user during initialization. The compact MDT has a non-volatile EEPROM (battery buffers are not necessary) and a storage capacity of 5 bytes (useful data).

MDT.../28-L can be read from all sides (front, left/right side, top and bottom) with unlimited frequency.

In addition to numerous installation positions on the workpiece pallet, the data tag can also be seamlessly integrated in the workpiece pallet 4-8, 4-9.

ID 15 data tags from production date FD986 onward can be initialized with the aid of the DPS/L diagnostic set for use with ID 200. However, simultaneous operation on ID 15 and ID 200 is not possible.

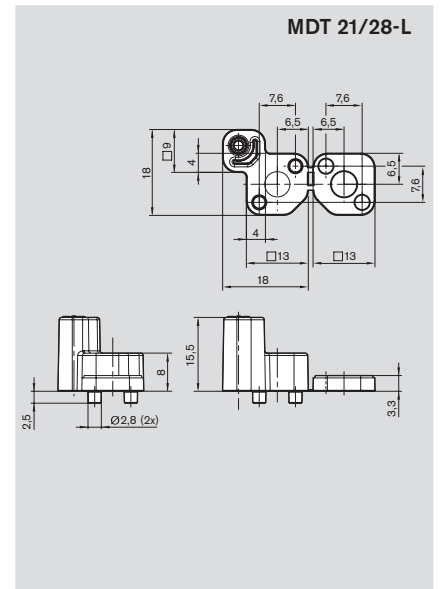
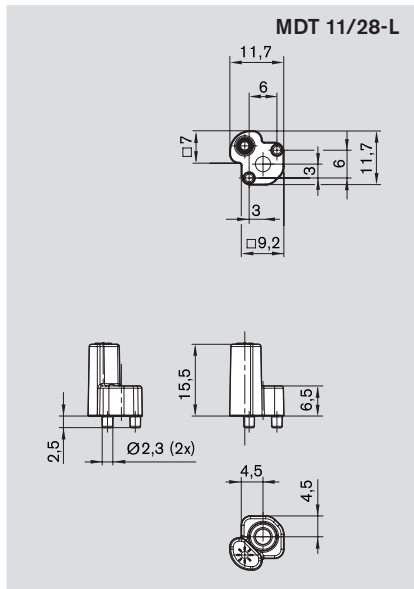
MDT...L

		No.
MDT 11/28-L	5	3 842 535 916
MDT 21/28-L	5	3 842 535 919
MDT 22/28-L	5	3 842 535 443
MDT 13/28-L	5	3 842 535 911
MDT 23/28-L	5	3 842 535 442

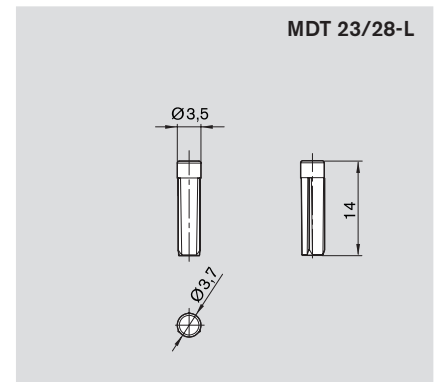
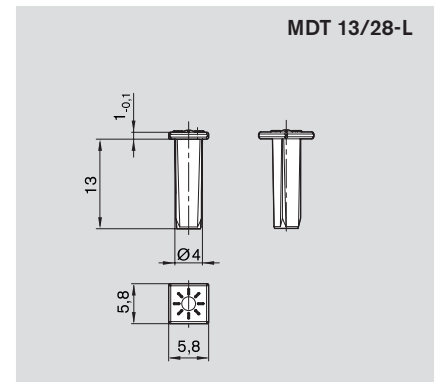
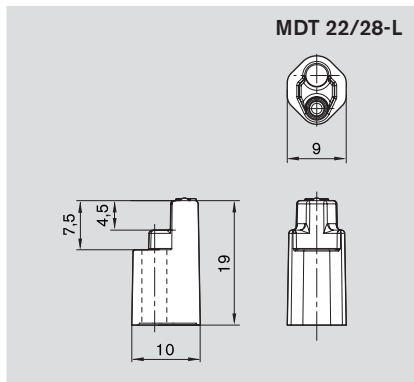
Type	MDT.../28-L
Frequency	125 kHz
Conformity with standards	–
Storage capacity	5 bytes
Memory type	EEPROM
Number of write cycles	≥ 100,000
Number of read cycles	Unlimited
Transfer distance	
– Static	18 mm
– Dynamic	16 mm
Ambient temperature during operation	–40 to +85°C
Housing material	PA66



00133442

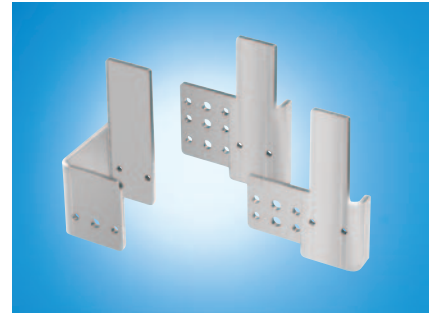


2

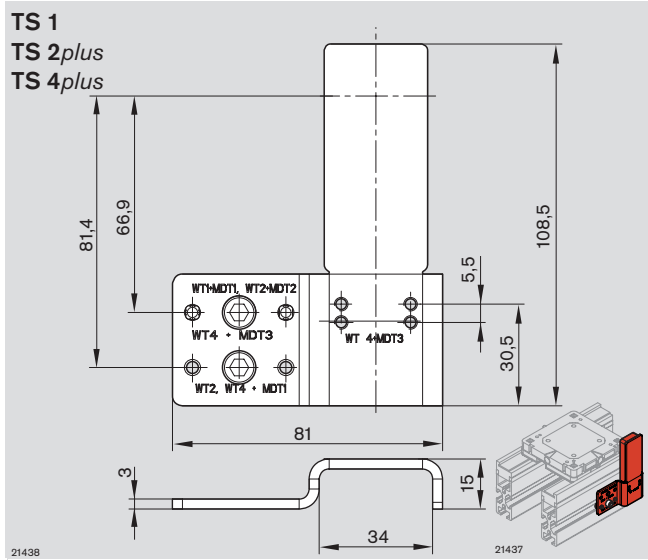


RFID system ID 200

ID 200 mounting kits

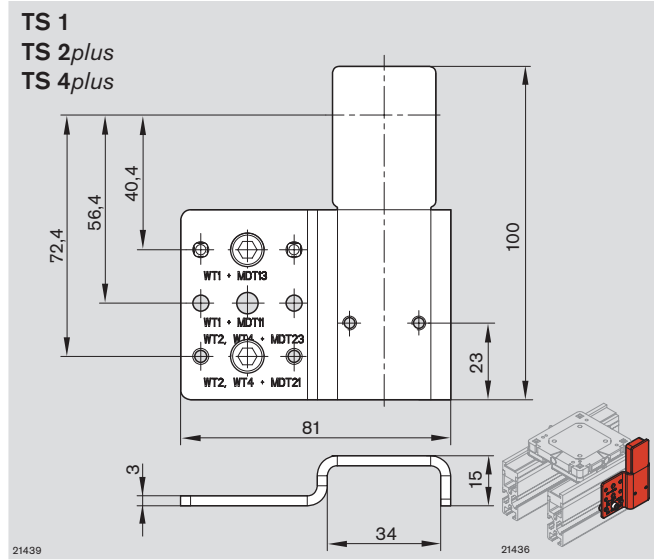


00133437



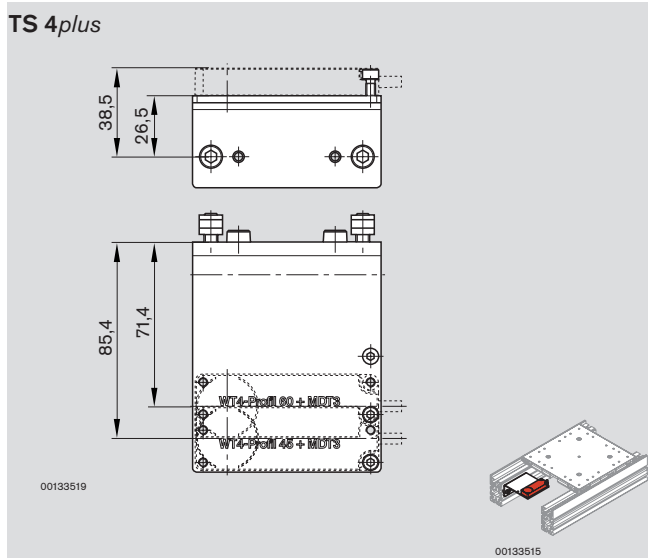
ID 200/MS-1 mounting kit

	No.
ID 200/MS-1	3 842 410 098



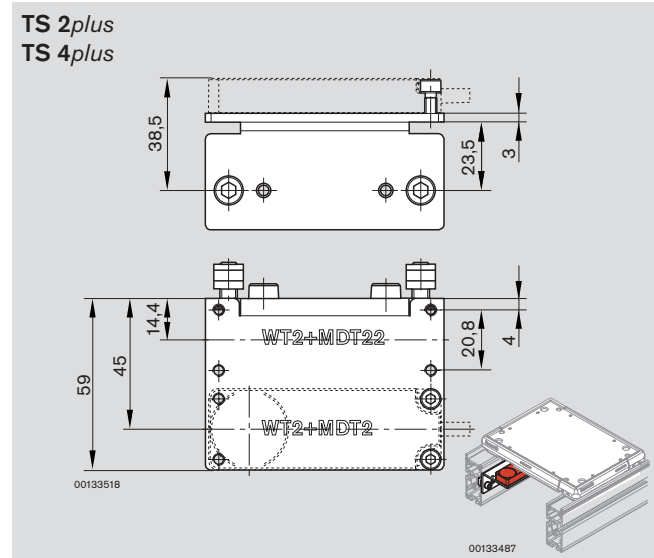
ID 200/MS-2 mounting kit

	No.
ID 200/MS-2	3 842 410 095



ID 200/MS-3 mounting kit

	No.
ID 200 /MS-3	3 842 410 101

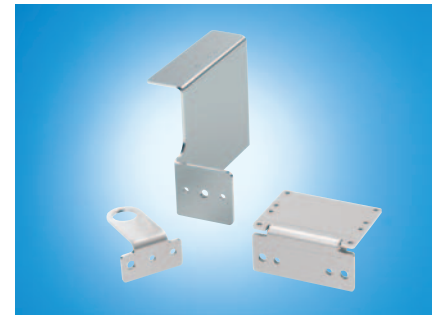


ID 200/MS-4 mounting kit

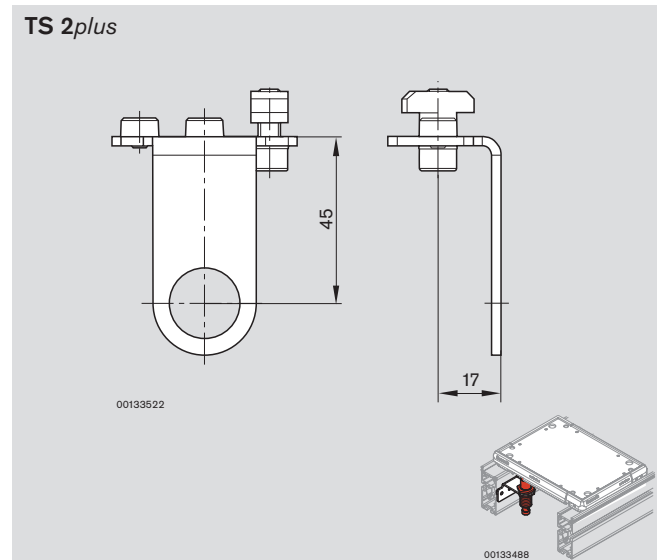
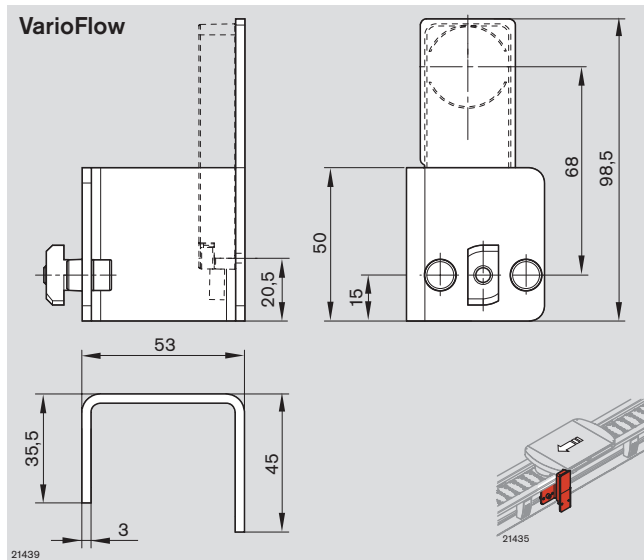
	No.
ID 200/MS-4	3 842 410 100

RFID system ID 200

ID 200 mounting kits



00133436



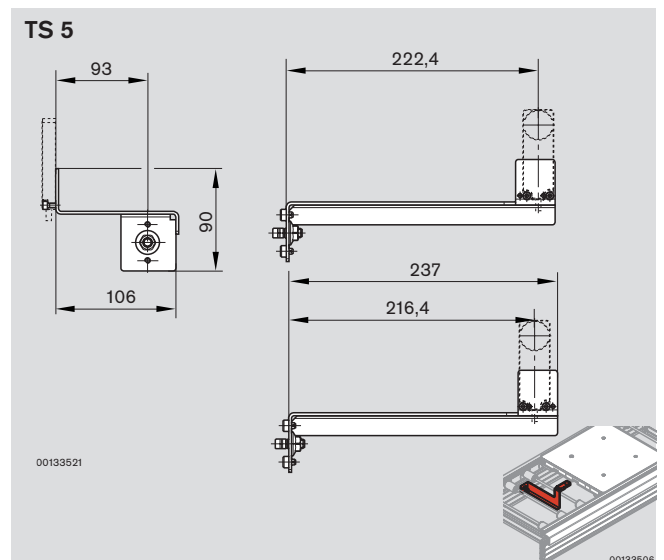
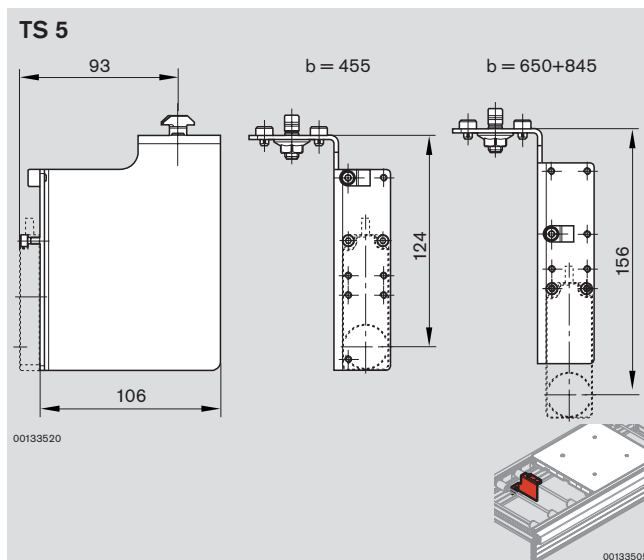
2

ID 200/MS-5 mounting kit

	No.
ID 200/MS-5	3 842 410 096

ID 200/MS-6 mounting kit

	No.
ID 200/MS-6	3 842 410 097



ID 200/MS-7 mounting kit

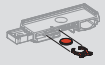
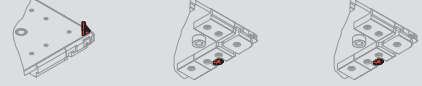


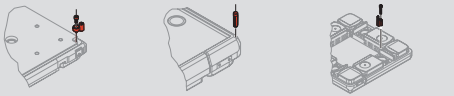


	No.
ID 200/MS-7	3 842 545 144

ID 200/MS-8 mounting kit

	No.
ID 200/MS-8	3 842 545 148

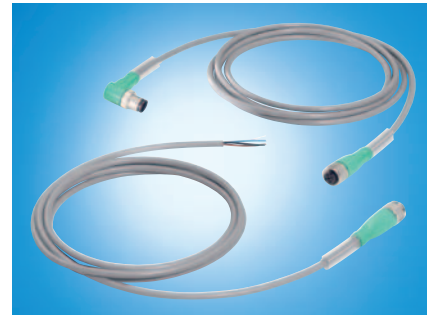
RFID system ID 200

ID 200 mounting options

TS 2plus $I_{wt}, b_{wt} = 160$ (PA, PE)	TS 4plus	TS 5	VarioFlow
			
	3 842 410 104		
	3 842 410 102	3 842 410 102	
3 842 410 184		3 842 545 450	
	3 842 410 098	3 842 545 450	
	3 842 410 098	3 842 410 101	
3 842 410 100		3 842 545 144	
		3 842 545 148	
3 842 410 065	3 842 410 065	3 842 410 065	3 842 410 065
3 842 410 097			
3 842 410 063			
	3 842 535 919		
	3 842 535 443		
	3 842 535 442	3 842 535 442	3 842 535 442
		3 842 545 450	3 842 545 450
	3 842 410 095	3 842 410 095	
		3 842 410 101	
		3 842 410 100	
			3 842 410 096
		3 842 545 144	
		3 842 545 148	
	3 842 410 176	3 842 410 176	3 842 410 176

RFID system ID 200





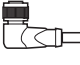

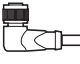

Accessories – cable



00133440


Connection cable between antenna and communication module.

Antenna cable

	Socket	Plug	l (m)	No.
ID 200/K-ANT2-2M	 00133489 straight	 angled	2	3 842 410 108
ID 200/K-ANT2-5M	 00133489 straight	 angled	5	3 842 410 109
ID 200/K-ANT3-2M	 00133490 angled	 angled	2	3 842 410 110
ID 200/K-ANT3-5M	 00133490 angled	 angled	5	3 842 410 111

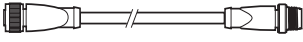
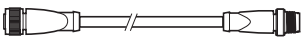
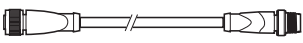
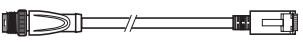
Power supply for communication module.

Power supply cable

		l (m)	No.
ID 200/K-VCC-5M	 00133493	5	3 842 410 119

Ethernet cable for connection between communication module and control system.

Ethernet cable

		l (m)	No.
ID 200/K-ETH M12 - 5M	 21446	5	3 842 410 114
ID 200/K-ETH M12 - 10M	 21446	10	3 842 410 115
ID 200/K-ETH M12 - 20M	 21447	20	3 842 410 116
ID 200/K-ETH RJ - 5M		5	3 842 410 117

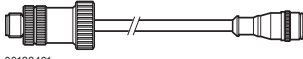
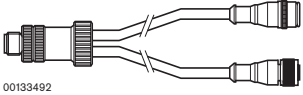
RFID system ID 200



00133439

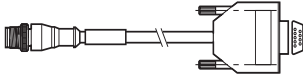
PROFIBUS cable for connection between communication module and control system.

PROFIBUS cable

	Cable	l (m)	No.
ID 200/K-PDP R	 00133491 PROFIBUS cable with terminating resistor	0.2	3 842 410 112
ID 200/K-PDP Y	 00133492 PROFIBUS Y cable	0.2	3 842 410 113

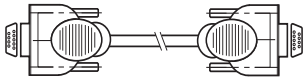
Diagnosis cable for PROFIBUS variants. For connection between communication module and PC.
 Required accessories: null modem cable

Diagnostic cable

		l (m)	No.
ID 200/K diag	 00133494	0.15	3 842 410 120

Null modem cable for connection of the diagnostic cable to a PC for PROFIBUS variants.

Null modem cable

		l (m)	No.
ID 200/K-NMK	 00133495	2	3 842 410 129

RFID system ID 200

Diagnostic devices

DPS/H diagnostic device

The manual control unit can be used as a convenient mobile diagnostic device or for initial startup of the system. It can be used for data entry and to read out data for MDTs with 13.56 MHz.

Required accessories: USB communication and charge cable, rechargeable battery

Optional accessories: recharging station

Manual control unit DPS/H

	No.
DPS/H	3 842 410 066

Rechargeable battery

	No.
DPS/H-ACC	3 842 410 164



00133435



00133454



00133447

USB cable

	No.
DPS/H-USB	3 842 410 165



00133444

Recharging station

	No.
DPS/H-CRG	3 842 410 166

DPS/L diagnostic device

Test and initial description of the mobile data tags MDT.../28-L (125 kHz) via a PC outside the system.

Software functions:

- Reading the MDT.../28-L
- Writing the MDT.../28-L
- Import prepared lists (csv format)
- Writing the MDT.../28-L according to a list

Scope of delivery:

- Manual antenna with data cable for connection to a USB port
- Software on CD-ROM

Diagnostic set DPS/L

	No.
DPS/L	3 842 406 959



00123856

RFID system ID 40

RFID system ID 40

Operating principle	3-2
Mobile data tag	3-3
Read/write head	3-4
Accessories	3-5



RFID system ID 40

Identification and data storage system ID 40



The ID 40 identification system enables a secure and fast provision of workpiece data on the workpiece pallet. There needs to be certain information available on each arriving part at every workstation, for example:

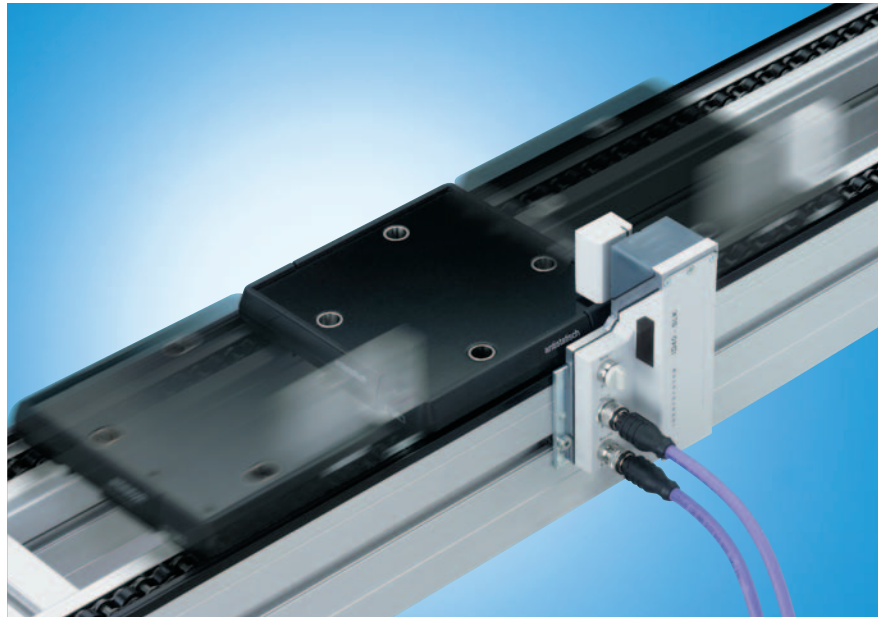
- Type of workpiece
- Production stage
- Next processing step
- Parameter settings

These are particularly important if more than one product model is being processed on the same circuit. These data are stored by a stationary read/write head (SLK)  3-4 on a mobile data tag (MDT)  3-3, which is directly located on the workpiece pallet (WT) and stays there throughout the entire assembly process. This decentralized data storage ensures short access times and optimum system availability.

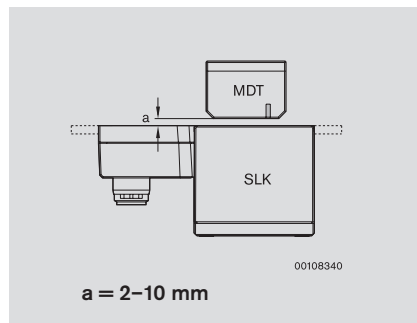
An integrated delete function that only has to be triggered in the SLK makes it possible to empty the data storage without remaining near the SLK.

The read/write head (SLK) offers a direct fieldbus connection, for the
- PROFIBUS DP
fieldbus system via M12 plug connectors.

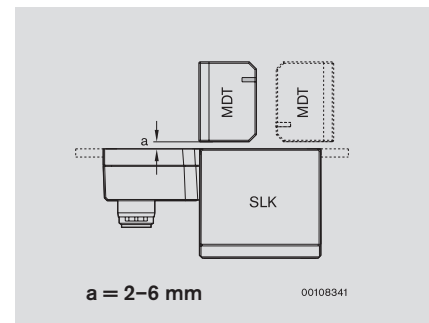
The ID 40 is suitable for dynamic data transfer: When travelling past at a distance of "a" with a transport speed of up to 30 m/min the transfer capacity of 64 bytes is reached.



00123943



Front transmission area

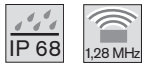


Side transmission area

A user manual, current information and software can be downloaded at www.boschrexroth.com/RFID

RFID system ID 40

Mobile data tag ID 40/MDT...



The mobile data tag (MDT) for the ID 40 is located on the workpiece pallet and saves the workpiece data. The compact MDT has a non-volatile RAM (no battery buffer required). It can be read and written up to 10 billion times on three sides (on the front, left and right). The MDT can be mounted in a variety of different positions on the workpiece pallet.

The memory capacity of the MDT can be either approx. 2 KB, approx. 8 KB or approx. 32 KB. The three-color LED on the MDT displays OK data transfers and transfer errors. The MDT complies to the IP68 protection class.

Scope of delivery: Incl. mounting kit
3 842 529 237.

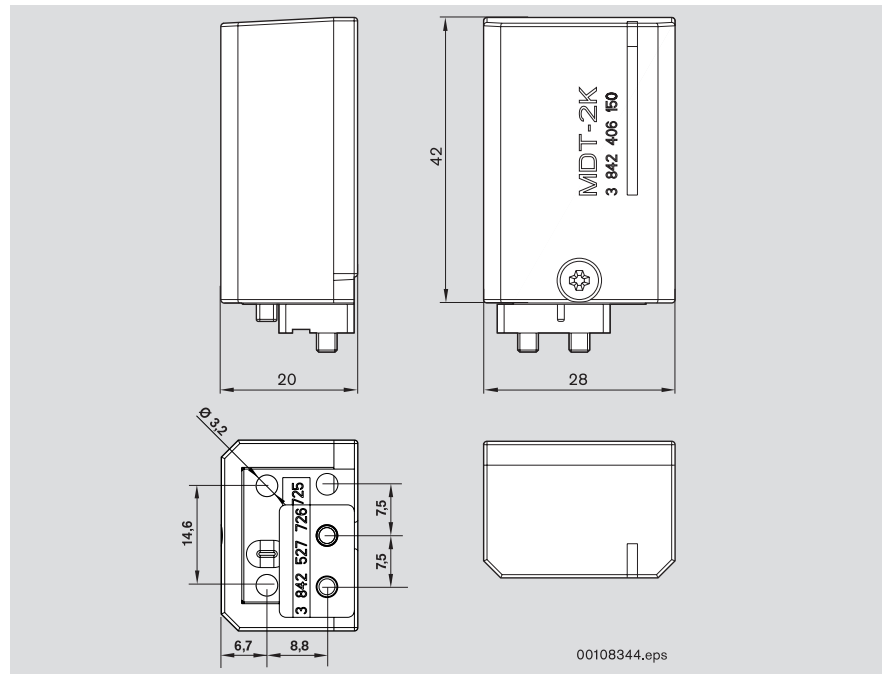
Optional accessories:
Assembly kits 3-5

Mobile data tag ID 40/MDT...

	No.
ID 40/MDT2K	3 842 406 150
ID 40/MDT32K	3 842 406 170



00123944



00108344.eps

Storage capacity

- MDT2K	1904 bytes
- MDT32K	30800 bytes
Data retention time	>10 years (20 to 40°C)
Data access	Byte-wise
Ambient temperature during operation	-25 to +70°C
Storage temperature	-25 to +85°C
Humidity	+5 to 95%
Protection class	IP68
Housing material	Polyamide, PA6
Resistance to media	Water, mineral oil; others on request
Mass	0.06 kg
Transmission direction	Front or left/right side
Read/write distance	
- Front	4 to 12 mm / 4 to 10 mm, static/dynamic
- Side	1 to 7 mm / 1 to 6 mm, static/dynamic
Permissible height offset between read/write station and MDT	+/- 5 mm
Status displays	LED, 3-color
Installation in metal	10 mm free space required on all sides

RFID system ID 40

Read/write head ID 40/SLK-...



The read/write head (ID 40/SLK-...) transfers workpiece data between the MDT and a bus master, which controls the workpiece pallets in the Rexroth transfer system.

With the standard-mounting kit, the SLK is easy to install in the TS 1, TS 2*plus* and TS 4*plus* Rexroth transfer systems. Direct connection to the – PROFIBUS DP (ID 40/SLK-PDP) fieldbus system via M12 plug connectors.

The antenna on the SLK can be swiveled to 90° and turned to 180°, which allows a variety of different installation positions. The semi-transparent antenna cover lights up when data is being transferred to the MDT.

The 4-digit alphanumerical LED displays the current status of the field bus connection and communication with the MDT. The integrated serial RS232 interface enables parameterization and diagnosis, e.g. with a web browser and a PC notebook. The standard AS-i profile cable provides a user-friendly power supply (black).

The SLK complies to protection class IP65.

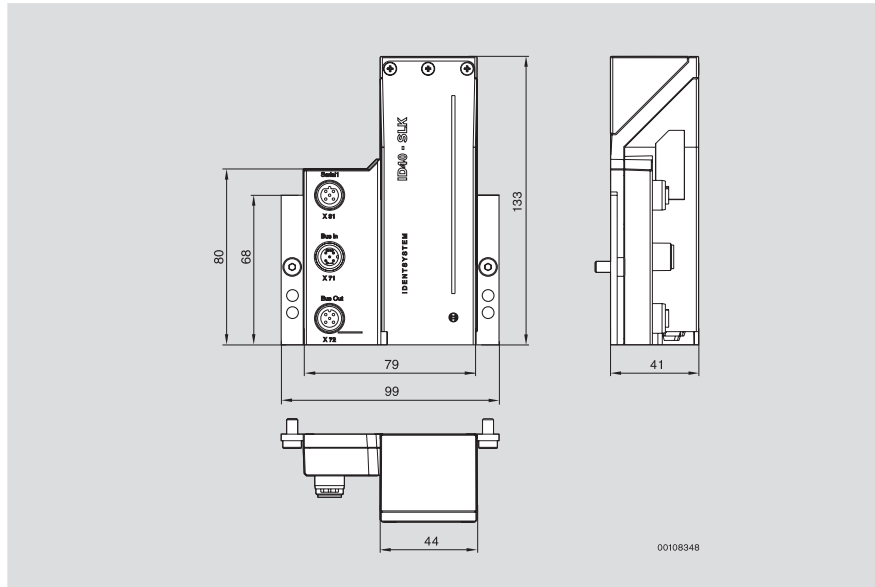
Scope of delivery: Incl. mounting kit
3 842 527 634.

Read/write head ID 40/SLK-...

	No.
ID 40/SLK-PDP	3 842 406 130



00123945



00108348

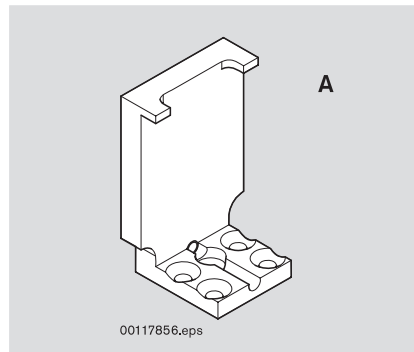
Operating voltage	24 V –15 + 20%
Ripple	< 10%
Power consumption	Max. 0.35 A
Field bus connections	Profibus DPV0
Serial interface	RS232
Status displays	1 LED Alphanumeric display
Protection class	IP65
Ambient temperature	+5 to +55°C
Storage temperature	–20 to +85°C
Humidity	≤ 96%
Approvals	EN 300330, ETS 300683, CE
Mass (incl. mounting plate)	0.4 kg
Max. write/read distance	
– Static	12 mm
– Dynamic (v = 20 m/min)	10 mm
Min. distance between two write/read heads	100
Installation in metal	10 mm free space required

RFID system ID 40

Accessories

Assembly kit for ID 40/MDT...

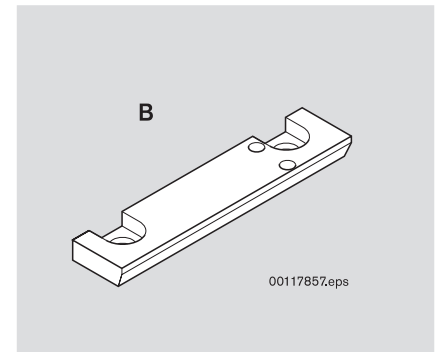
- Mounting kit (A) with reinforced design for applications with high mechanical load on the data tag.
- Mounting kit (B) for use with ID 40/MDT as a replacement for ID 80/E on WT2 workpiece pallets with ID 80 drilling plan.



Mounting kit (A)

No.

3 842 535 740

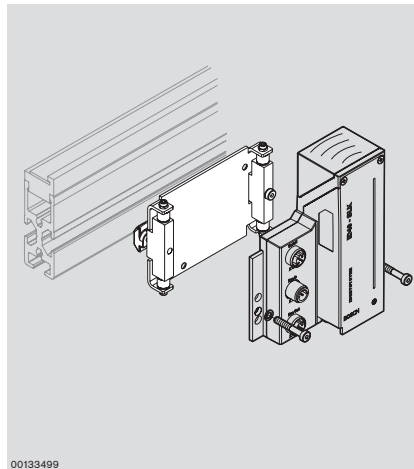


Mounting kit (B)

No.

3 842 532 630

Mounting kit for ID 40/SLK only vibration-free assembly. Application in environments with a higher vibration stress (on request).

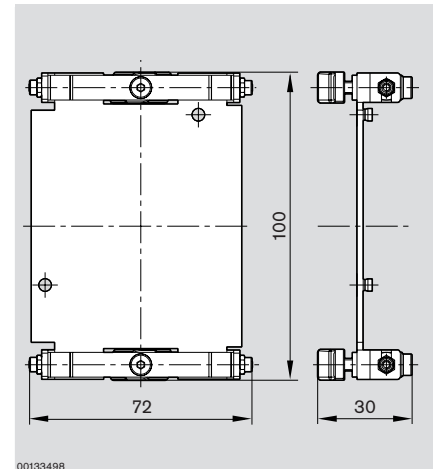


Mounting kit

No.

ID 40 3 842 538 784*

* Availability and price upon request.



RFID system ID 40

Accessories – software, cable



00123857

Configuration and diagnosis software package for setting the device parameters (e. g. field bus node number) and for interpreting system diagnostic data.

System requirements
Win NT 4.0/Win 2000/Win XP
diagnostic cable RS232
(M12 plug on 9-pin, D-SUB)

Configuration and diagnosis software package

No.
3 842 406 119

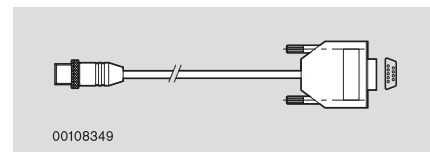
Diagnostic cable RS232

The diagnostic cable aids:

- efficient data exchange to direct serial connection at workstations via web browser function.
- adjustment of the ID 40/SLK bus address to read out internal diagnosis memory

Diagnostic cable RS232

l (m)	No.
2	3 842 406 117



00108349

Function components

contain all the basic functions for reading and writing data blocks on the MDT. They can be parameterized.

- For Siemens S7 controls from CPU 315 onward
- For Rexroth IndraLogic on request

Function components

No.
Siemens S7 controls
3 842 406 190

Field bus connection cable

		l (m)	PROFIBUS DP*) No.
M12 plug straight, open end		3	3 842 410 030
M12 socket straight, open end		3	3 842 410 031
M12 plug angled, open end		3	3 842 410 032
M12 socket angled, open end		3	3 842 410 033
M12 plug angled, M12 socket angled		3	3 842 410 034
Field bus terminating resistor		–	3 842 406 156

*) No GND at pin 5, shield on housing

RFID system ID 15

RFID system ID 15

Operating principle	4-2
Read/write head	4-3
Mobile data tag	4-4
Diagnostic set	4-5
Mounting kits	4-6
Protective cover	4-7
Mounting options	4-8
Addressing device and AS-i accessories	4-10

RFID system ID 15

Identification system ID 15



The ID15 identification system enables the reliable and fast identification of workpieces. The data tags can not only be mounted on or below the workpiece pallet, they can also be fully integrated in the workpiece pallet. Short access times with a high level of immunity to interference and high availability are the main system features.

The read/write head (SLK) provides a direct connection to the actuator sensor level with AS-i via M12 connectors.

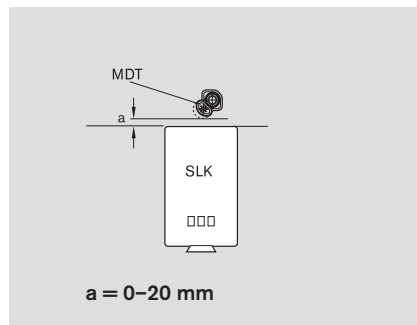
The ID 15 enables dynamic data transmission: when passing at a distance of "a" and at a transport speed of up to 20 m/min.

A separate antenna with a USB connection, in conjunction with the ID15 diagnosis software, makes it possible to easily and quickly initialize the data tag.

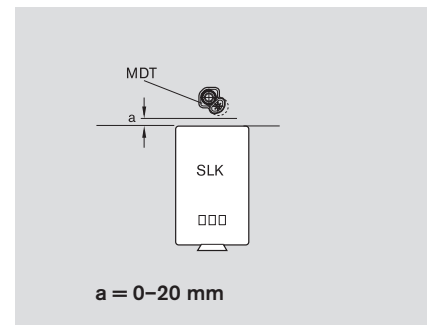
A user manual, current information and software can be downloaded at www.boschrexroth.com/RFID



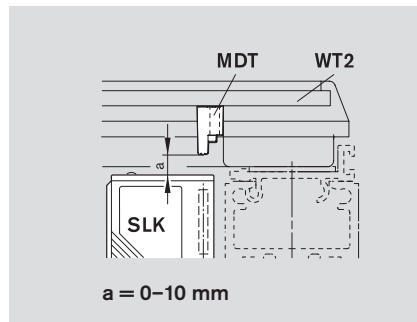
00123835



Front transmission area



Side transmission area



Top transmission range

RFID system ID 15

Read/write head ID 15/SLK



The read/write head (ID 15/SLK) is used to transfer workpiece data between the MDT.../28-L and an AS-i bus master for controlling workpiece pallets in Rexroth transfer systems.

Max. 15 bit user data can be written on or read from an MDT.../28-L using ID 15/SLK.

The SLK can be easily installed in the Rexroth TS 1, TS 2*plus*, TS 4*plus* transfer system as well as the VarioFlow chain conveyor system using standard mounting kits. Direct connection to AS-i via M12 connectors (can be swiveled by 270°).

Three LEDs indicate

- Operational readiness (green)
- Presence of a data tag in the field (yellow)
- Malfunction (red)

Scope of delivery: Read/write head

Required accessories:

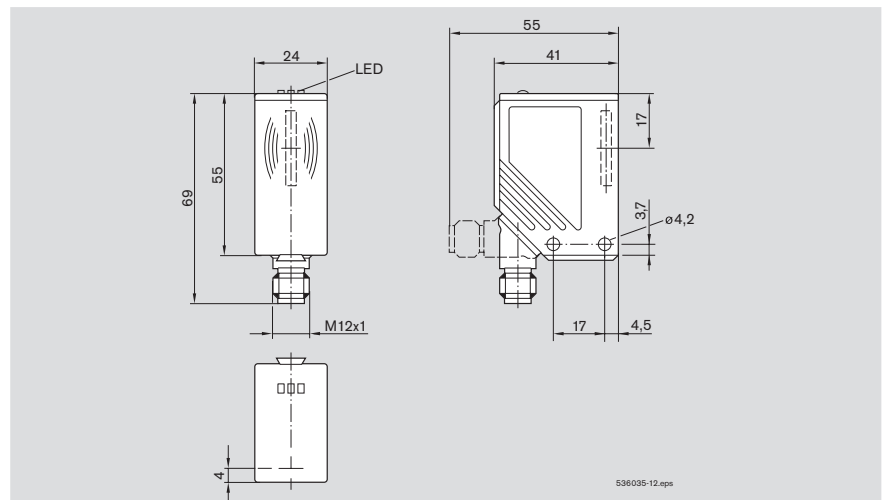
Mounting kit corresponding to application case 4-6

Read/write head ID 15/SLK

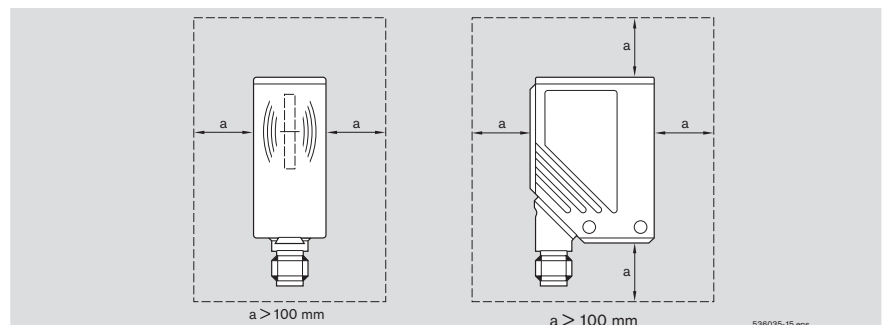
	No.
ID 15/SLK	3 842 406 960



00123847



536035-12.eps



536035-15.eps

Operating voltage (via AS-i power supply)	26.5 to 31.6 V
Power consumption	Max. 0.1 A
Field bus connections	AS-i, profile 7.4
Status displays	3 LEDs
Protection class	IP67
Housing material	PA
Ambient temperature	-20 to +60°C
Storage temperature	-25 to +80°C
Humidity	95%
Vibration resistance EN 60068-2-6	20 g (10 to 2000 Hz)
Shock and impact resistance EN 60068-2-29	40 g/6 ms
Shock and impact resistance EN 60068-2-27	50 g/11 ms
Approvals	EN 300330, EN 61326, CE, FCC
Mass	0.1 kg
Max. write/read distance	
– Static	20 mm
– Dynamic (v = 20 m/min)	15 mm
Min. distance between two write/read heads	400 mm (read and write) 200 mm (read only)

RFID system ID 15

Mobile data tag MDT...L (125 kHz)



The mobile data tag MDT.../28-L is located directly on the workpiece pallet and stores the identification assigned by the user during initialization. The compact MDT has a non-volatile EEPROM (battery buffers are not necessary) and a storage capacity of 5 bytes (useful data).

MDT.../28-L can be read from all sides (front, left/right side, top and bottom) with unlimited frequency.

In addition to numerous installation positions on the workpiece pallet, the data tag can also be seamlessly integrated in the workpiece pallet 4-8, 4-9.

ID 15 data tags from production date FD986 onward can be initialized with the aid of the DPS/L diagnostic set for use with ID 200. However, simultaneous operation on ID 15 and ID 200 is not possible.

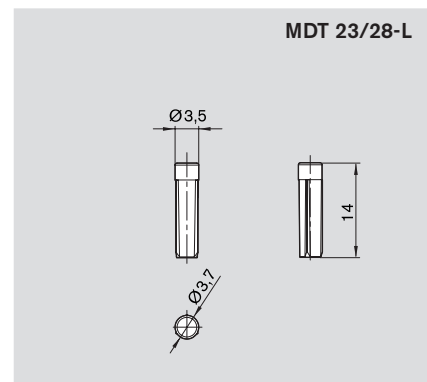
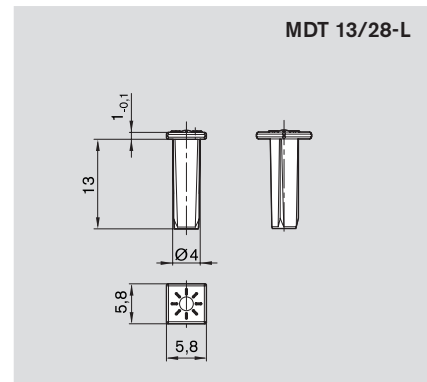
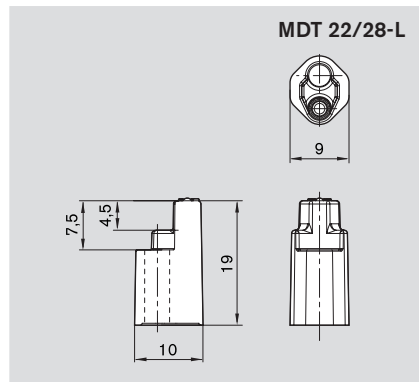
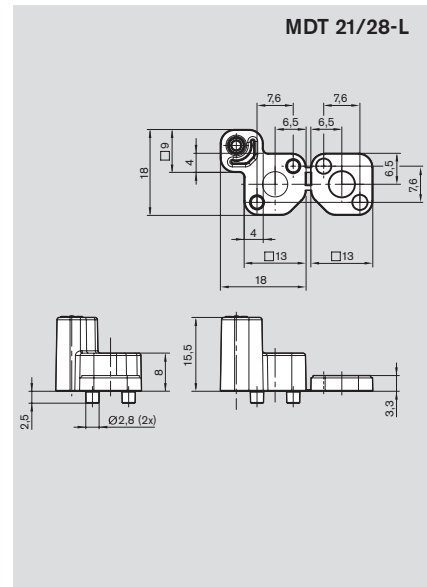
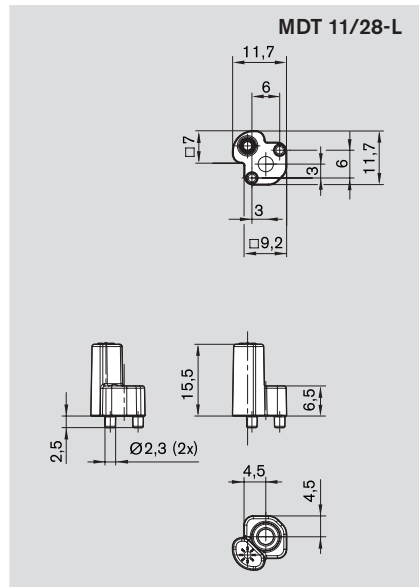
MDT...L

		No.
MDT 11/28-L	5	3 842 535 916
MDT 21/28-L	5	3 842 535 919
MDT 22/28-L	5	3 842 535 443
MDT 13/28-L	5	3 842 535 911
MDT 23/28-L	5	3 842 535 442

Type	MDT.../28-L
Frequency	125 kHz
Conformity with standards	-
Storage capacity	5 bytes
Memory type	EEPROM
Number of write cycles	≥ 100,000
Number of read cycles	Unlimited
Transfer distance	
- Static	18 mm
- Dynamic	16 mm
Ambient temperature during operation	-40 to +85°C
Housing material	PA66



00123839



RFID system ID 15

Diagnostic set DPS/L

**Application:**

Test and initial description of the mobile data tags MDT.../28-L (125 kHz) via a PC outside the system.

Software functions:

- Reading the MDT.../28-L
- Writing the MDT.../28-L
- Import prepared lists (csv format)
- Writing the MDT.../28-L according to a list

Scope of delivery:

- Manual antenna with data cable for connection to a USB port
- Software on CD-ROM



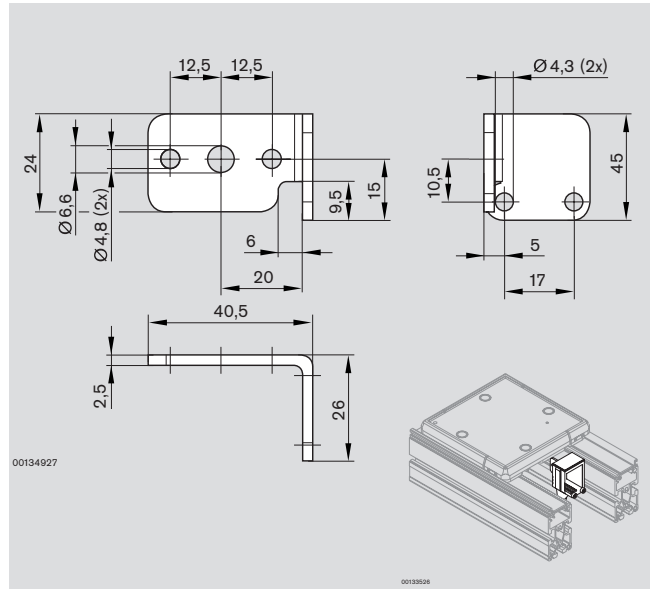
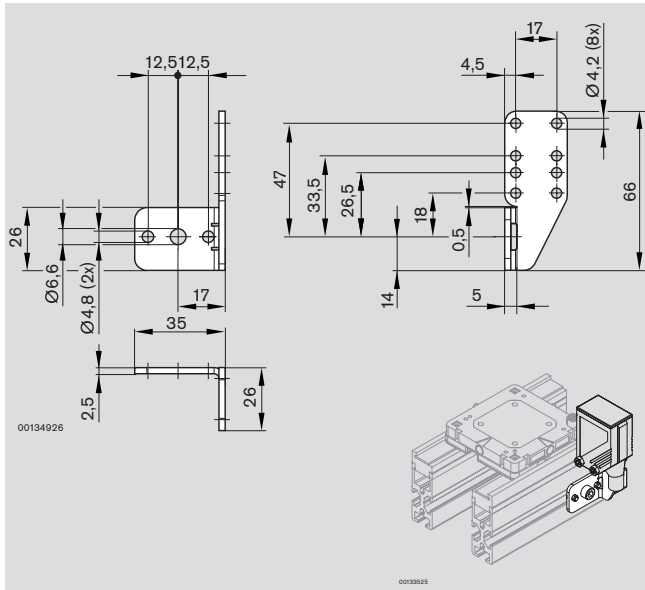
00123856

Diagnostic set DPS/L

	No.
DPS/L	3 842 406 959

RFID system ID 15

Mounting kits for read/write head, ID 15/SLK

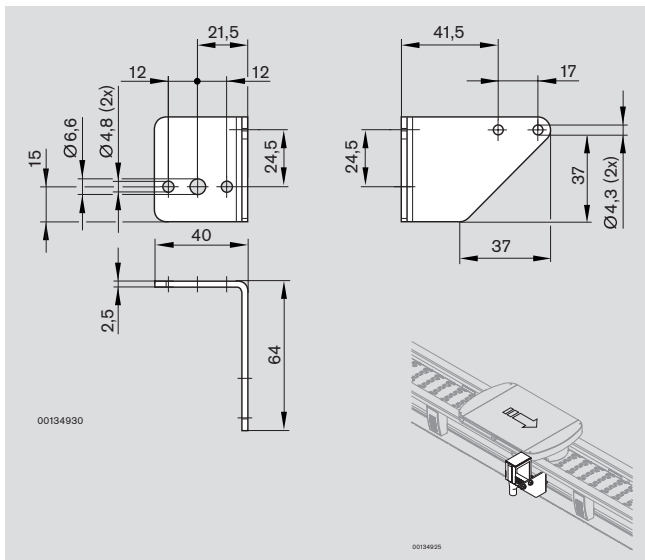


Mounting kit ID 15/MS-1

	No.
ID 15/MS-1	3 842 535 920

Mounting kit ID 15/MS-2

	No.
ID 15/MS-2	3 842 535 917



Mounting kit ID 15/MS-5

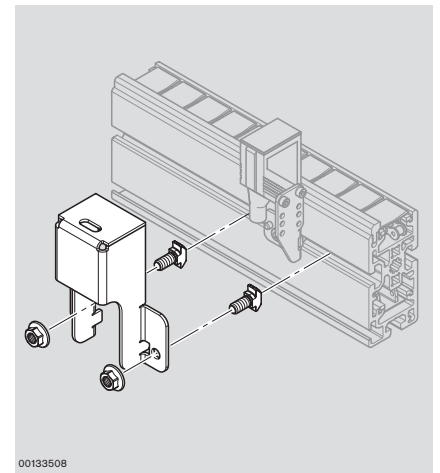
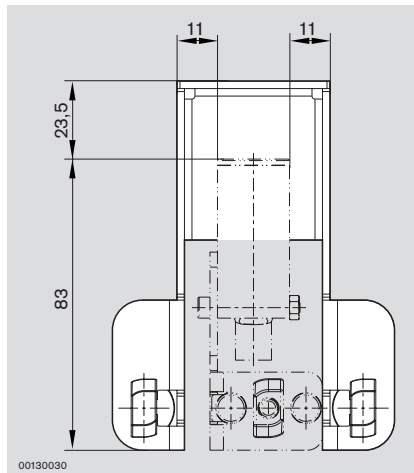
	No.
ID 15/MS-5	3 842 535 918

RFID system ID 15

Protective cover for ID 15/SLK

Protective cover for ID 15/SLK

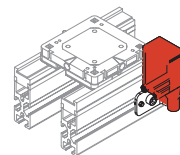
	No.
ID 15/SLK	3 842 537 885



RFID system ID 15

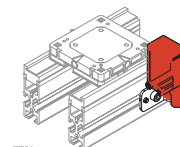
ID 15 mounting options

Mounting to the top of a TS 1, TS 2plus or TS 4plus workpiece pallet



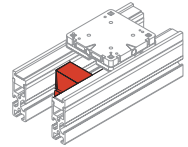
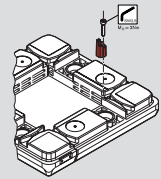
	TS 1	TS 2plus	TS 4plus
	No.	No.	No.
Mobile data tag			
MDT 11/28-L	3 842 535 916		
MDT 21/28-L		3 842 535 919	3 842 535 919
Mounting kit for read/write head ID 15/MS-1	3 842 535 920	3 842 535 920	3 842 535 920

Integration in the frame module on the TS 1, TS 2plus or TS 4plus workpiece pallets



	TS1	TS 2plus	TS 4plus
	No.	No.	No.
Mobile data tag			
MDT 23/28-L	3 842 535 442	3 842 535 442	3 842 535 442
MDT 13/28-L	3 842 535 911		
Mounting kit for read/write head ID 15/MS-1	3 842 535 920	3 842 535 920	3 842 535 920

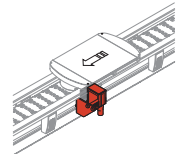
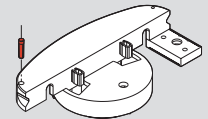
RFID system ID 15

Mounting to the bottom of a TS2plus workpiece pallet**TS 2plus****No.**

Mobile data tag
MDT 22/28-L

3 842 535 443

Mounting kit for read/write head ID 15/MS-2

3 842 535 917**Integration in the VarioFlow workpiece pallet****VarioFlow****No.**

Mobile data tag
MDT 23/28-L

3 842 535 442

Mounting kit for read/write head ID 15/MS-5

3 842 535 918

RFID system ID 15

Addressing device DPS/AS-i and AS-i accessories



Addressing device AS-i

Application:

The sturdy and handy addressing and diagnosis tool for initial operation, maintenance and service of AS-i systems provides the following:

Functions:

- Reads out slave addresses 0 to 31, A, B without scrolling with a clear and complete LCD display
- Reads out slave IO and ID codes (including extended ID codes 1 and 2)

- Standard addressing mode, and extended addressing mode from AS-i version 2.1.
- Programming of ID code 1
- Slave function test, also for analog slaves with profile 7.1 to 7.4
- Recognition of all system components
- Memory, diagnosis and PC gateway functions
- Data transmission, data management and documentation of system parameters with optional software
- Connection via M12 plug (A-coded)
- Infrared interface



00123942

Scope of delivery: AS-i- addressing and testing appliance DPS/AS-i with batteries (4 x 1.5 V Mignon (AA) LR6).

DPS/AS-i addressing device

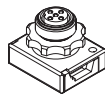
	No.
DPS/AS-i	3 842 406 173

AS-i accessories

AS-i branch terminal

to connect M12 plugs to an AS-i signal cable

AS-i branch terminal



	No.
	3 842 406 176

Connection cables

	M12	M12	I (m)	No.
M12 plug straight, M12 socket straight			0.5	3 842 406 193
			1.0	3 842 406 194
M12 plug straight, M12 socket angled			0.5	3 842 406 166
			1.0	3 842 406 171

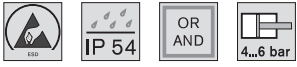
Identification system ID 10

Identification system ID 10

Operating principle	5-2
Data storage	5-3
Write head	5-4
Read head	5-5

Identification system ID 10

Identification and data storage system ID 10



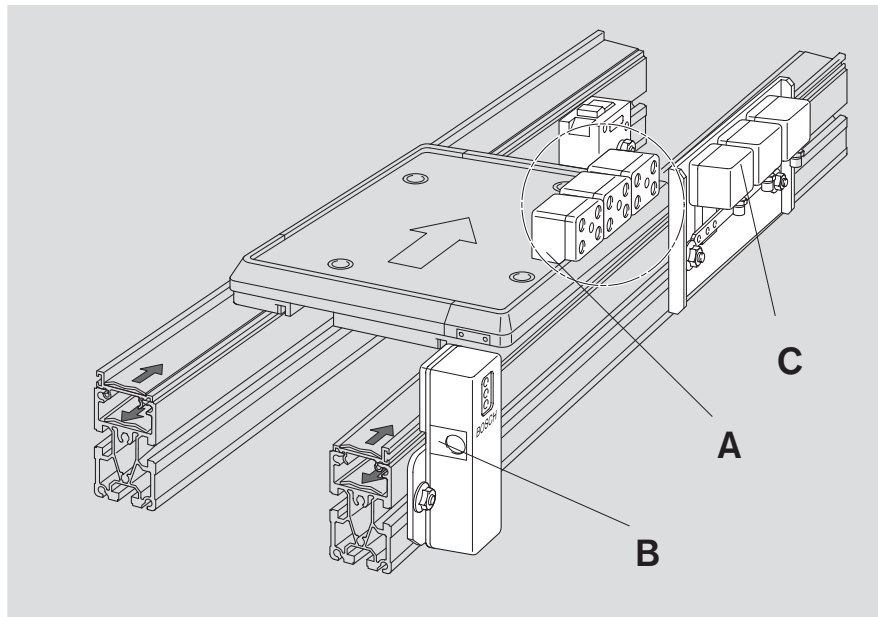
In the ID 10 identification and data storage system, encoding is carried out mechanically with encoding pins in the ID 10/D data storage.

The ID 10/D data storage is carried on the workpiece pallet during the assembly process. 2 information bits can be encoded per data storage. Data storage units can be positioned adjacently to deal with larger quantities of data.

The ID 10/S write head sets the encoding pins; the ID 10/L read head ascertains their position using proximity switches. The information obtained is passed on to a governing control unit or compared with preset required values in the read head.



00123937



- A Data storage ID 10/D on the workpiece pallet
- B Read head ID 10/L
- C Write head ID 10/S

Identification system ID 10

Data storage ID 10/D



00123938

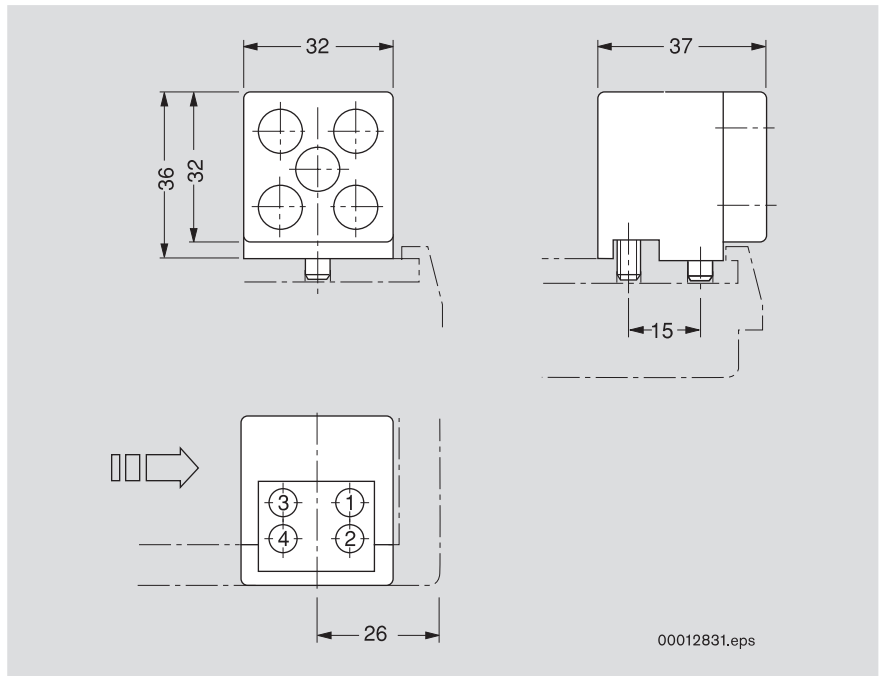


The ID 10/D carries information about the workpiece; several ID 10/Ds can be attached onto the workpiece pallet. Every ID 10/D has 4 encoding pins; they are coupled in pairs (1 and 2; 3 and 4). When an encoding pin is pushed in, the other pin of the pair is pushed forward automatically. Reading and writing is carried out on the same side.

Scope of delivery: incl. mounting material

Data storage ID 10/D

	Nr.
ID 10/D	10 3 842 508 038



5

Memory capacity and space required

Data storage ID 10/D quantity	1	2	3	4
Memory capacity in bits	2	4	6	8
Number of possible codes	$2^2 = 4$	$2^4 = 16$	$2^6 = 64$	$2^8 = 256$
Space required on the workpiece pallet (mm)	32 x 27	64 x 27	96 x 27	128 x 27



Identification system ID 10

Write head ID 10/S



The ID 10/S sets the encoding pins in the ID 10/D with four pneumatically operated setting pins. In order to write information, the workpiece pallet has to be stopped. The presence of the workpiece pallet in relation to the write head can be ascertained with a proximity switch.

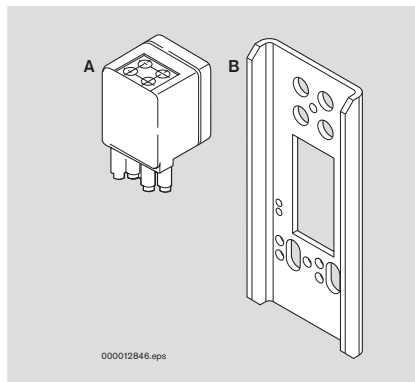
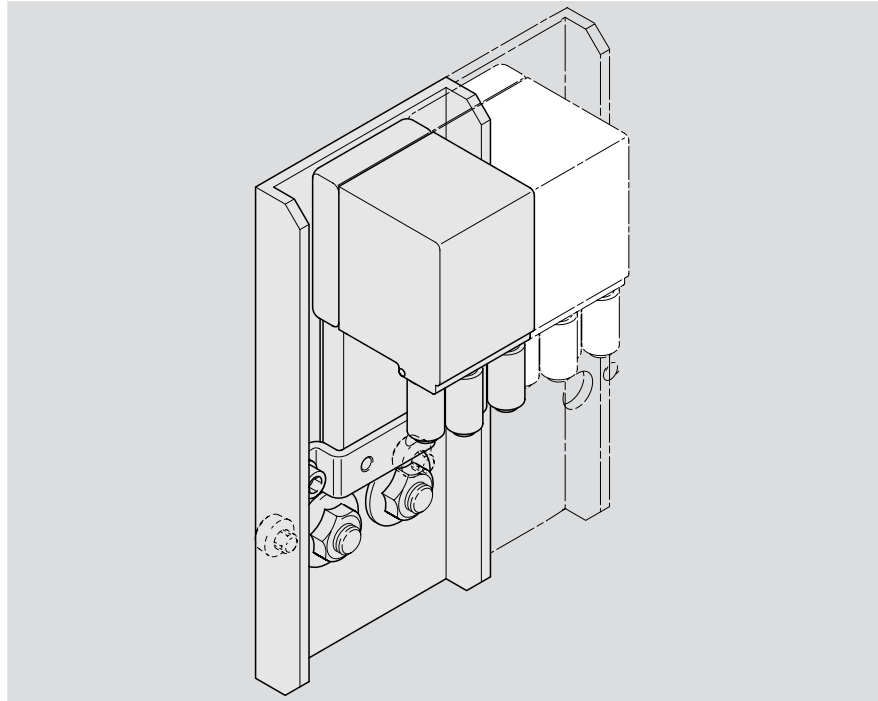
One ID 10/S is required for every ID 10/D to be written on.

Note: If WT travel "gaps" are too large, use a workpiece pallet inner guide.

To write to ID 10/D that are next to each other, you will receive kits with 1 to 4 write heads (A), including fixing plate (B) and fastening elements. You can also order single write heads and mounting kits for writing to ID 10/D which are not positioned adjacently.



00123939



000012846.eps

ID 10/S write head

	No.
A	3 842 168 610

Mounting kit for n ID 10/S write heads

n	No.
B 1	3 842 525 241
B 2	3 842 525 242



Identification system ID 10

Read head ID 10/L



Four proximity switches in the ID 10/L recognize the position of the encoding pins in the ID 10/D. The signals read are either transmitted directly to a control unit, which takes over the evaluation, or they are compared to preset information in the read head. The result of this comparison will be issued at an output of the ID 10/LA read head. Light-emitting diodes on the back of the housing permit a visual check of information which has been read.

Note: In case of unwanted guide play with the WT use a workpiece pallet guide.

The following types of operation are supported:

- Read code: Recognizes the ID 10/D coding and forwards the signal to a control unit.
- Compare code: Recognizes the ID 10/D coding and compares it with a preset code; the results of the comparison (yes/no) are then supplied in signal format.
- Both types of operation can be used simultaneously.

Two read head designs are currently available:

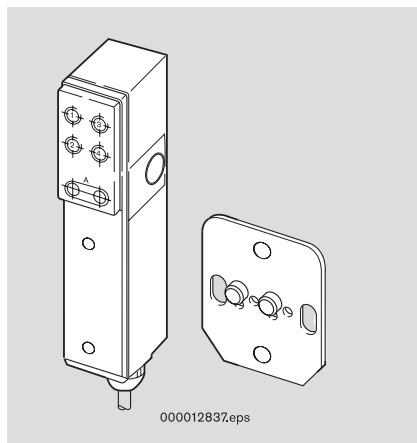
- ID 10/LA: Recognizes the workpiece pallet in the read position as well as the ID 10/D coding; outputs the signals for coding, "WT in position", and comparison results (yes/no).
- ID 10/LB: Recognizes the ID 10/D coding and outputs the signals. Forwards the internal comparison result to the ID 10/LA.

An ID 10/L is required for every ID 10/D to be read from.

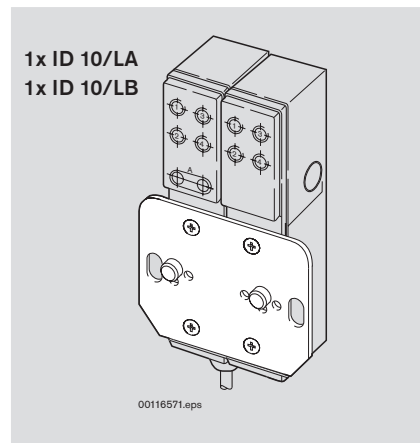
The ID 10/LA read head is used once in each read station. Additional ID 10/LB read heads follow directly after the ID 10/LA.



00123940



000012837.eps



00116571.eps

Read head ID 10/L

	No.
ID 10/LA	3 842 174 350
ID 10/LB	3 842 174 360

Mounting kit for n ID 10/L... read heads

n	No.
1	3 842 525 261
2	3 842 525 262

Type	ID 10/LA	ID 10/LB
Operating voltage	10 to 30 V	10 to 30 V
Ripple	≤ 5%	≤ 5%
Power consumption	Max. 0.65 A	Max. 0.45 A
Parallel interface	6 outputs	4 outputs
Status displays	3 LEDs	2 LEDs
Protection class	IP67	IP67
Housing material	Crastin	Crastin
Ambient temperature	+5 to +40°C	+5 to +40°C
Storage temperature	-25 to +70°C	-25 to +70°C
Mass	0.2 kg	0.2 kg
Max. write/read distance		
- Static	2.5 mm	2.5 mm
- Dynamic (v = 20 m/min)	-	-



Identification system ID 10

Technical data

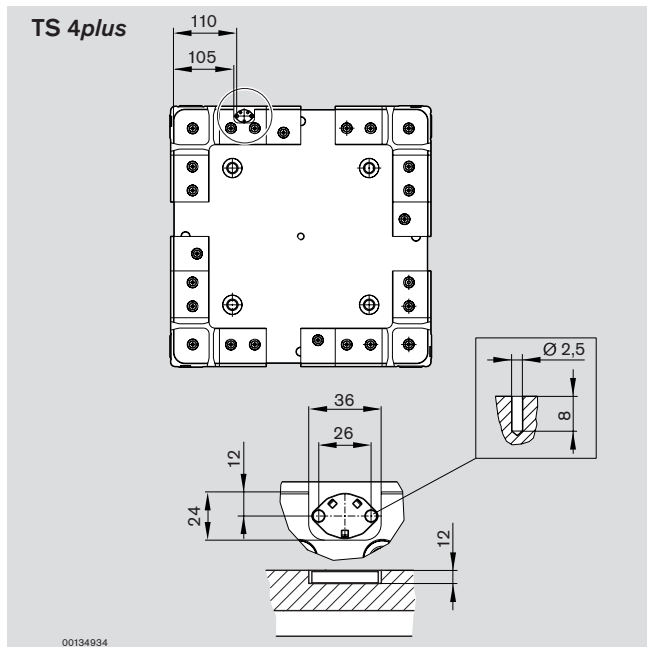
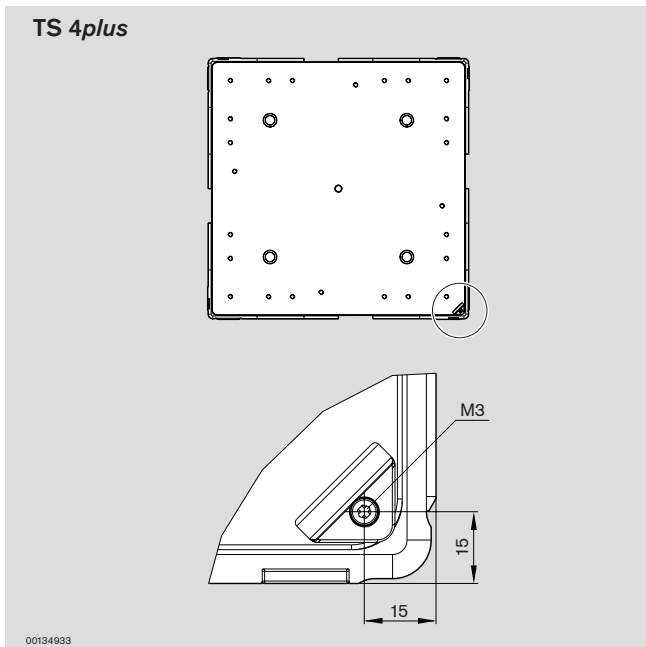
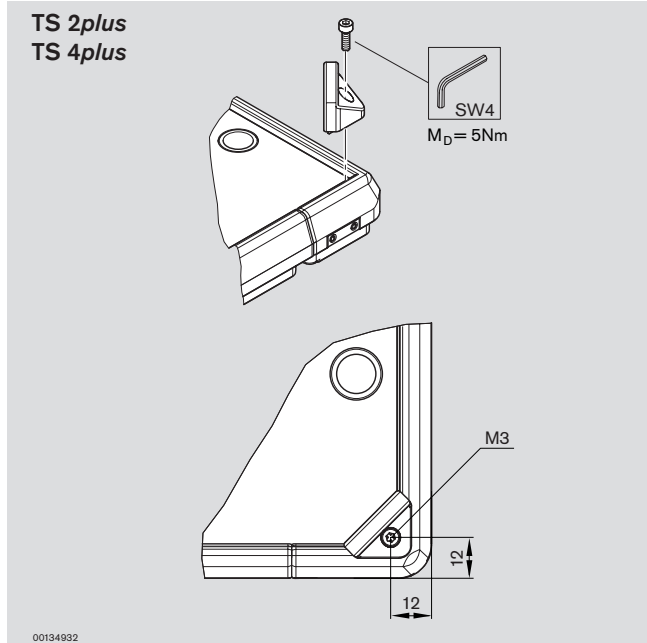
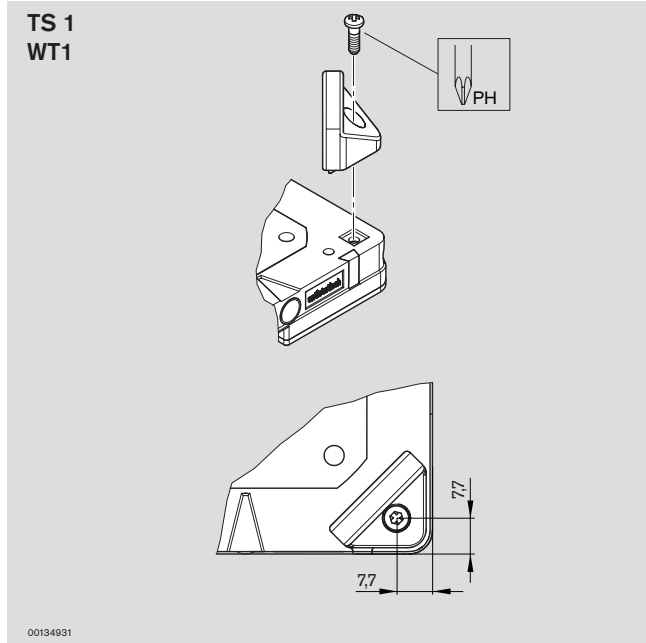
Technical data

RFID system ID 200	6-2
RFID system ID 40	6-3
RFID system ID 15	6-4
Identification system ID 10	6-6

Technical data

RFID system ID 200

Drilling plans for workpiece pallets

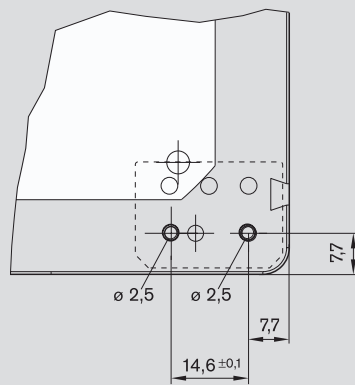


Technical data

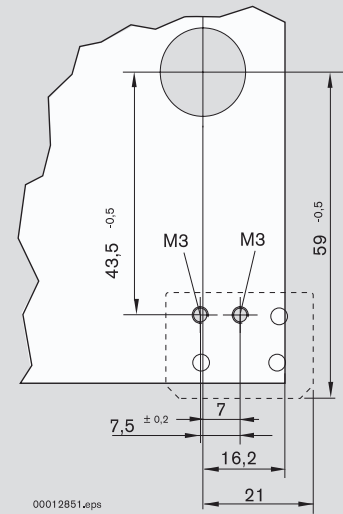
RFID system ID 40

Drilling plans for workpiece pallets

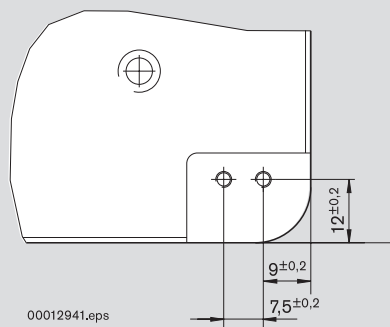
TS 1



TS 2plus



TS 4plus

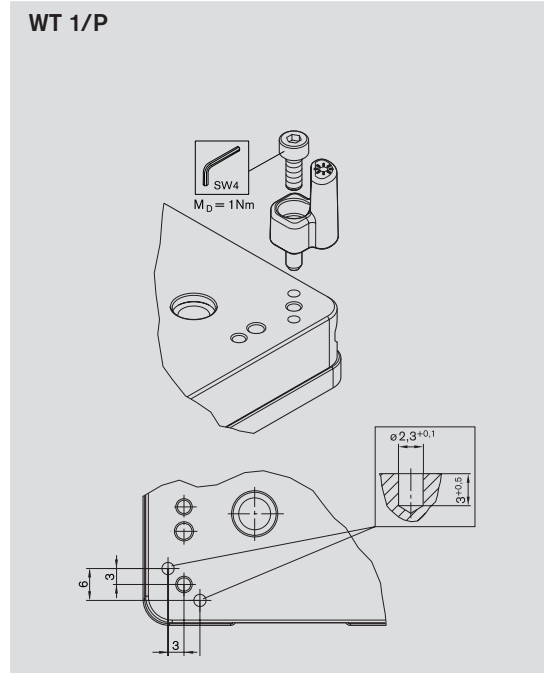
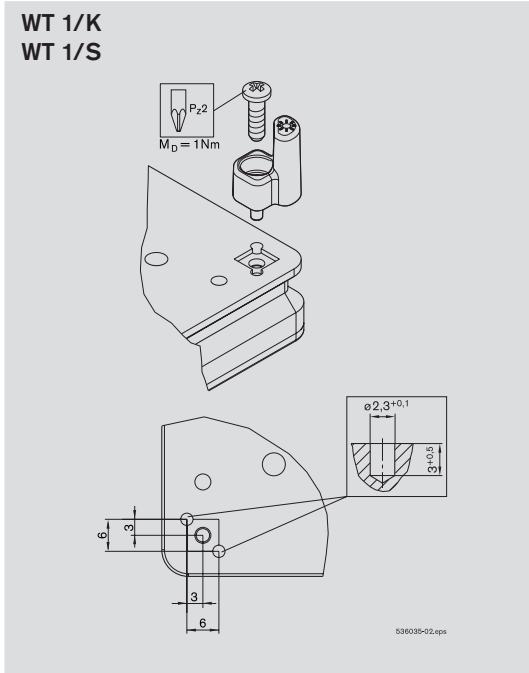


Technical data

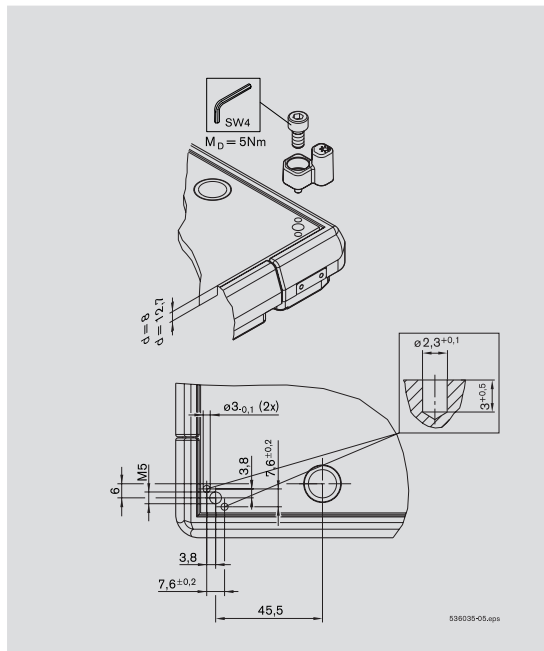
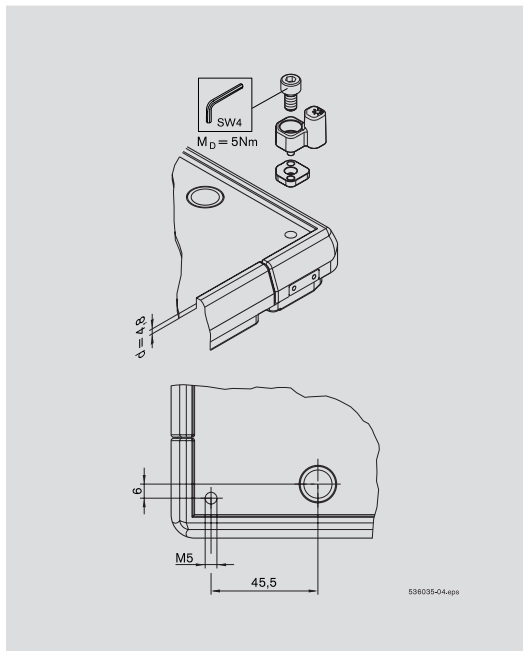
RFID system ID 15

Drilling plans for workpiece pallets

TS 1

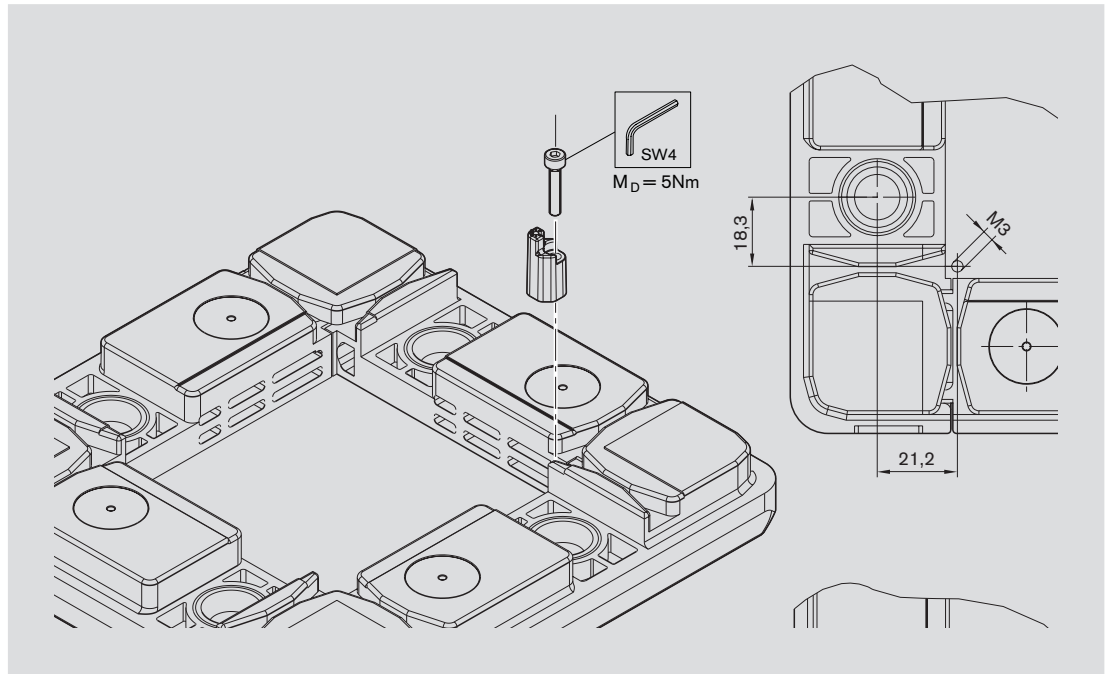


TS 2plus

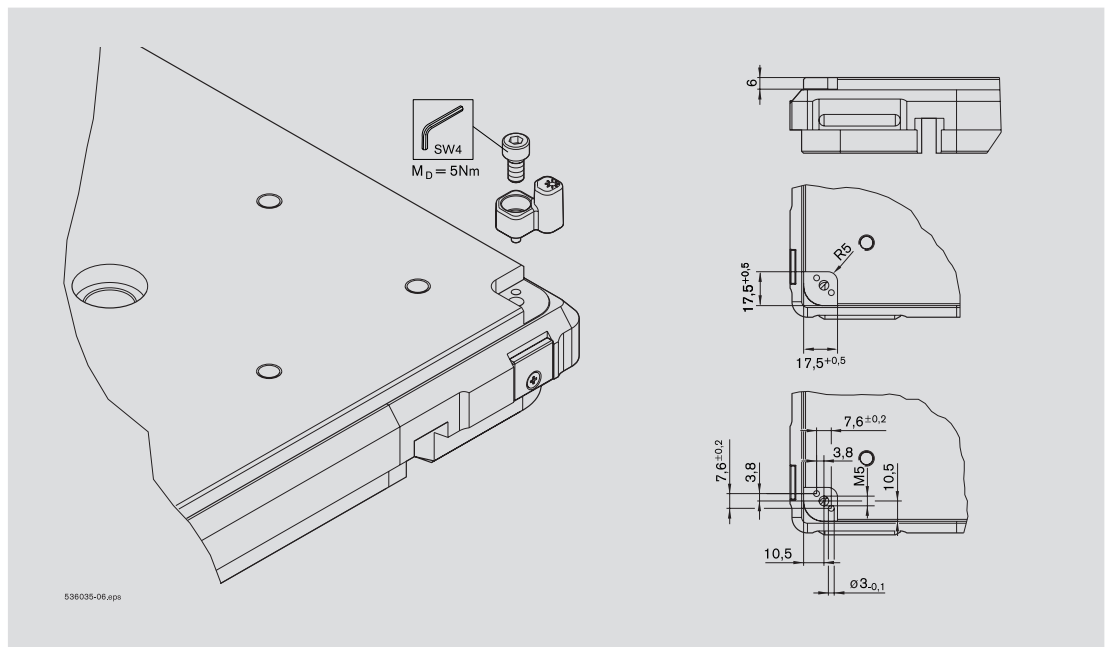


Technical data

TS 2plus



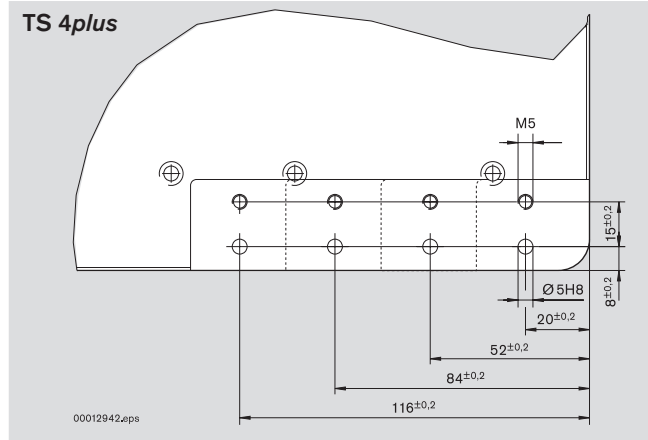
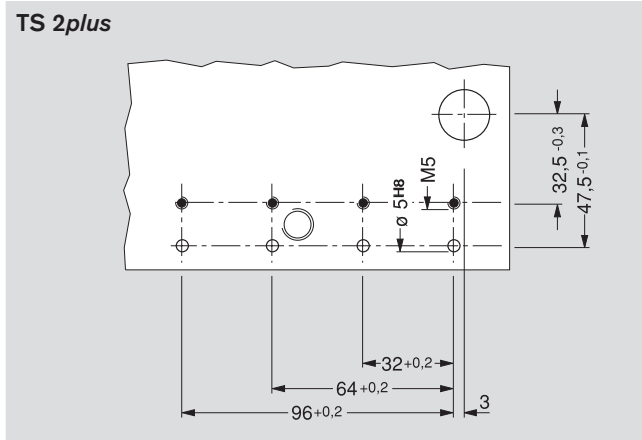
TS 4plus



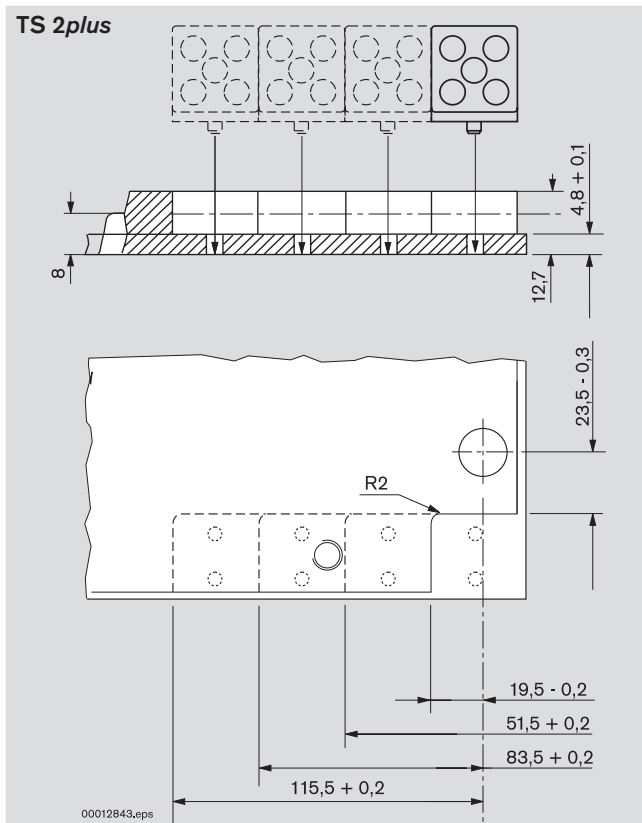
Technical data

Identification and data storage system ID 10

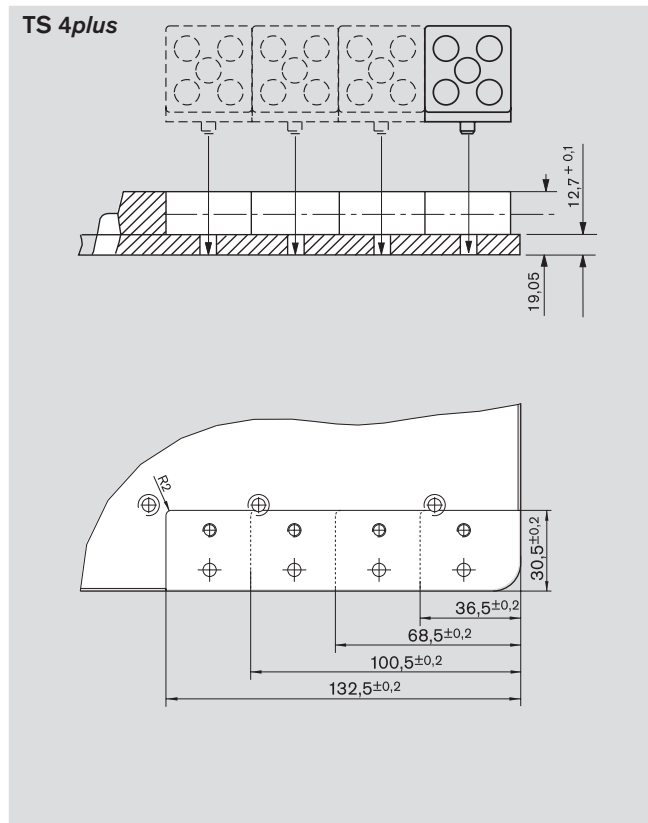
Drilling plans for TS 2plus and TS 4plus workpiece pallets



Milling plan for TS 2plus WP aluminum carrier plate

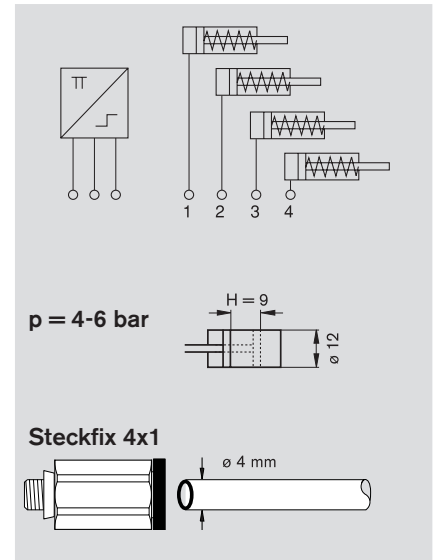
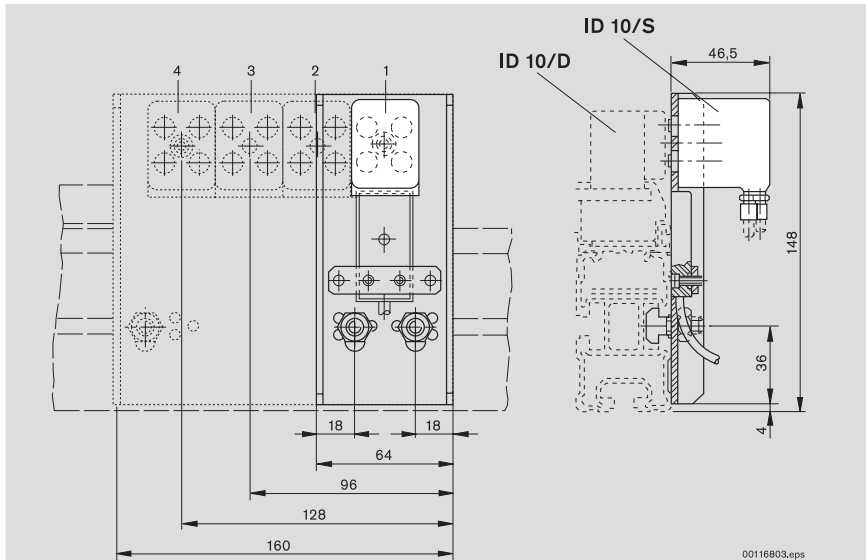


Milling plan for TS 4plus WP aluminum carrier plate

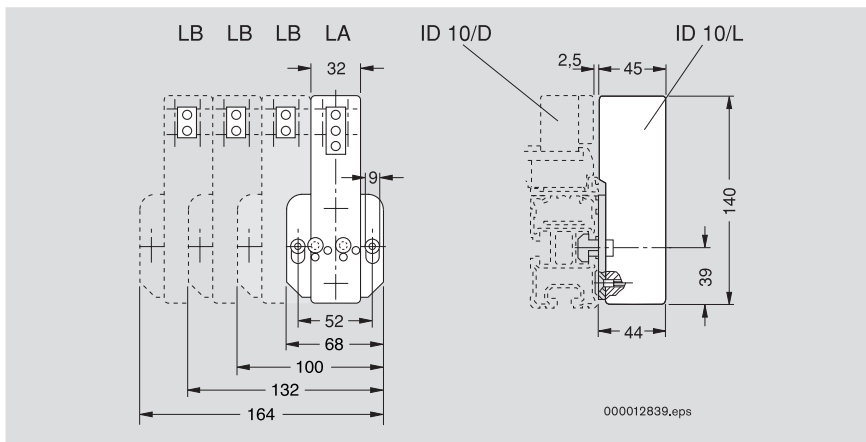


Technical data

Write head ID 10/S



Read head ID 10/L



Overview of part numbers, Index

Overview of part numbers

Part number	Page	Part number	Page	Part number	Page
3 842 168 610	5-4	3 842 410 102	2-6, 2-11	3 842 535 918	4-6, 4-9
3 842 174 350	5-5	3 842 410 103	2-6, 2-10	3 842 535 919	2-7, 2-10, 2-11,
3 842 174 360	5-5	3 842 410 104	2-6, 2-10, 2-11		4-4, 4-8
3 842 406 117	3-6	3 842 410 105	2-6, 2-11	3 842 535 920	4-6, 4-8
3 842 406 119	3-6	3 842 410 106	2-6, 2-10	3 842 537 885	4-7
3 842 406 130	3-4	3 842 410 107	2-6, 2-10, 2-11	3 842 537 887	3-5
3 842 406 140	3-4	3 842 410 108	2-12	3 842 538 784	3-5
3 842 406 141	3-6	3 842 410 109	2-12	3 842 545 144	2-9, 2-11
3 842 406 142	3-6	3 842 410 110	2-12	3 842 545 148	2-9, 2-11
3 842 406 143	3-6	3 842 410 111	2-12	3 842 545 450	2-11
3 842 406 145	3-6	3 842 410 112	2-13		
3 842 406 150	3-3	3 842 410 113	2-13		
3 842 406 154	3-6	3 842 410 114	2-12		
3 842 406 156	3-6	3 842 410 115	2-12		
3 842 406 160	3-3	3 842 410 116	2-12		
3 842 406 166	4-10	3 842 410 117	2-12		
3 842 406 170	3-3	3 842 410 118	2-12		
3 842 406 171	4-10	3 842 410 119	2-12		
3 842 406 173	4-10	3 842 410 120	2-13		
3 842 406 176	4-10	3 842 410 129	2-13		
3 842 406 190	3-6	3 842 410 164	2-14		
3 842 406 191	3-6	3 842 410 165	2-14		
3 842 406 193	4-10	3 842 410 166	2-14		
3 842 406 194	4-10	3 842 508 038	5-3		
3 842 406 959	2-14, 4-5	3 842 525 241	5-4		
3 842 406 960	4-3	3 842 525 242	5-4		
3 842 409 904	3-6	3 842 525 245	5-4		
3 842 410 030	3-6	3 842 525 246	5-4		
3 842 410 031	3-6	3 842 525 249	5-4		
3 842 410 032	3-6	3 842 525 250	5-4		
3 842 410 033	3-6	3 842 525 253	5-5		
3 842 410 034	3-6	3 842 525 254	5-5		
3 842 410 060	2-4	3 842 525 261	5-5		
3 842 410 061	2-4	3 842 525 262	5-5		
3 842 410 062	2-5	3 842 527 634	3-4		
3 842 410 063	2-5, 2-10	3 842 529 237	3-3		
3 842 410 064	2-5, 2-10, 2-11	3 842 532 630	3-3		
3 842 410 065	2-5, 2-10, 2-11	3 842 535 442	2-7, 2-10, 2-11,		
3 842 410 066	2-14		4-4, 4-8, 4-9		
3 842 410 095	2-8, 2-10, 2-11	3 842 535 443	2-7, 2-10, 2-11,		
3 842 410 096	2-9, 2-11		4-4, 4-9		
3 842 410 097	2-9, 2-10	3 842 535 740	3-3		
3 842 410 098	2-8, 2-10, 2-11	3 842 535 911	2-7, 2-10, 4-4, 4-8		
3 842 410 100	2-8, 2-10, 2-11	3 842 535 916	2-7, 2-10, 4-4, 4-8		
3 842 410 101	2-8, 2-11	3 842 535 917	4-6, 4-9		

Overview of part numbers, Index

Index

A		ID 40	3-1
AS-i accessories	4-10	Accessories	3-5, 3-6
AS-i branch terminal	4-10	Cables	3-6
		Data tags	3-3
C		Field bus connection cable	3-6
Central data storage	1-3	Operating principle	3-2
Connection cables	4-10	Read/write head	3-4
		Software	3-6
D		ID 200	2-1
Data storage in assembly technology	1-2	Accessories	2-12, 2-13
Decentral data storage	1-3	Antenna	2-5
Diagnostic devices	2-14	Assembly kits	2-8, 2-9
Diagnostic set DPS/L	4-5	Assembly options	2-10
DPS/AS-i addressing device	4-10	Cables	2-12, 2-13
		Communication module	2-4
I		Data tags MDT...H	2-6
ID 10	5-1	Data tags MDT...L	2-7
Data storage	5-3	Diagnostic devices	2-14
Operating principle	5-2	Operating principle	2-2
Read head	5-5	Identification and	
Write head	5-4	data storage system ID 10	5-2
ID 15	4-1	Identification and	
Accessories	4-10	data storage system ID 40	3-2
Assembly options	4-8	Identification system ID 15	4-2
Data tags	4-4	Identification system ID 200	2-2
Diagnostic set DPS/L	4-5		
Fastening sets for		M	
read/write head	4-6	Main features	1-4
Integration in frame module	4-8		
Integration in		S	
VarioFlow workpiece pallets	4-9	Symbols	0-2
Mounting on workpiece pallets	4-8		
Operating principle	4-2	T	
Protective cover	4-7	Table of contents	1-1
Read/write head	4-3	Technical data	6-1
	4-6, 4-7		

Bosch Rexroth AG
Postfach 30 02 07
70442 Stuttgart, Germany
Tel. +49 711 811-30698
Fax +49 711 811-30364
www.boschrexroth.com

Find your local contact person here:
www.boschrexroth.com/contact

Subject to technical modifications

© Bosch Rexroth AG 2012
Printed in Germany
3 842 541 004 (2012-12)
EN • DC-IA/MKT