

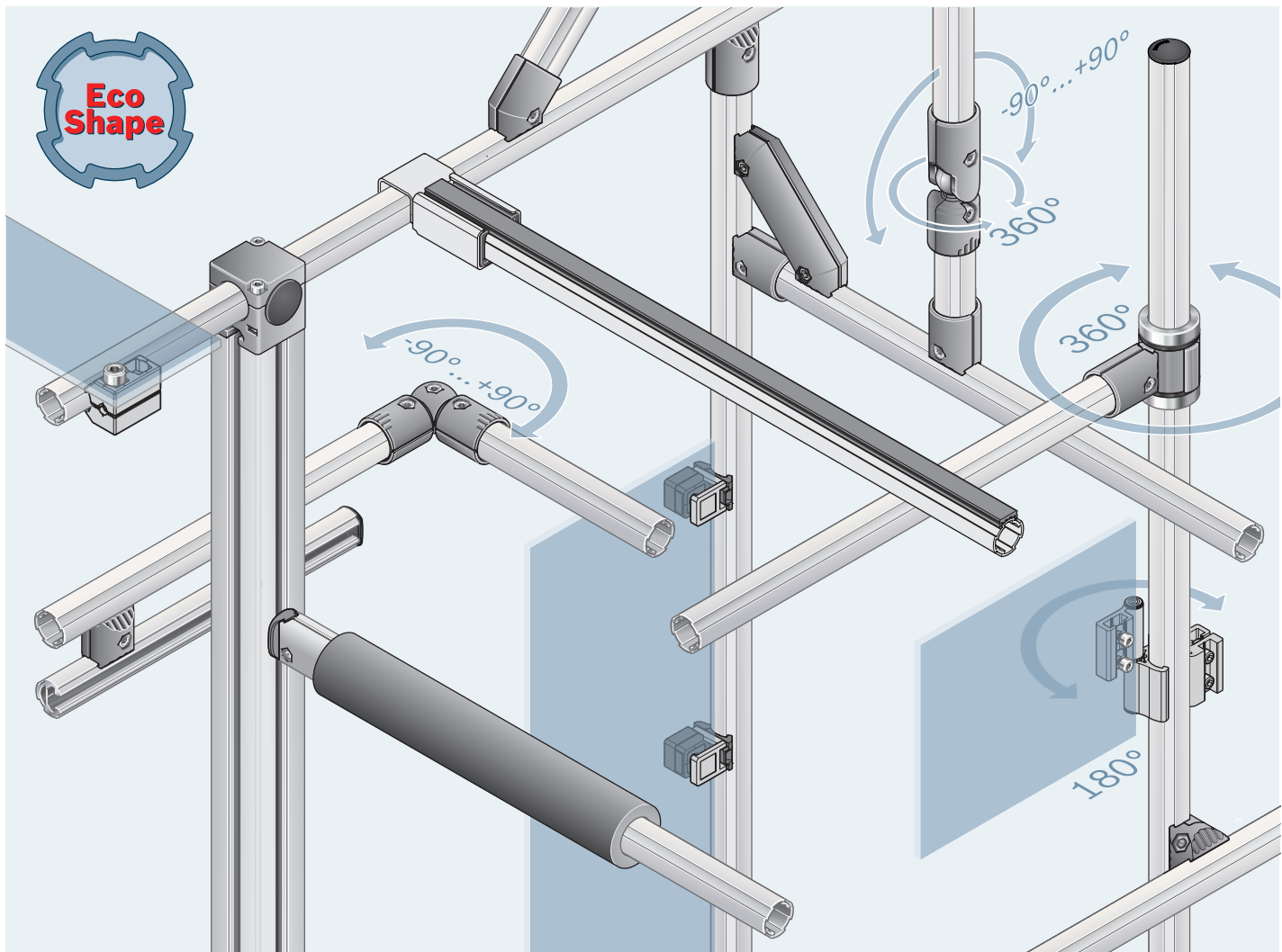
EcoShape The Next Dimension in Tubular Framing Systems


3.0



EcoShape: Easy³ – Versatile, simple, efficient

With EcoShape, you can build custom structures that require very few components. Planning is easy, too, thanks to the new MTpro planning software and the ability to make virtually any connection with a few standard parts.

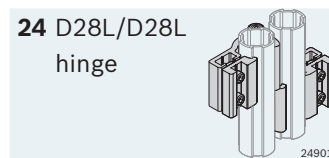
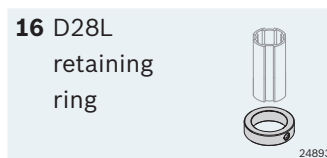
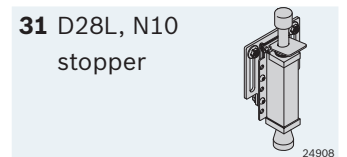
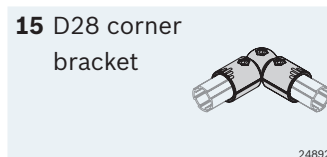
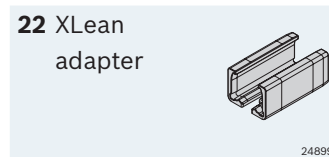
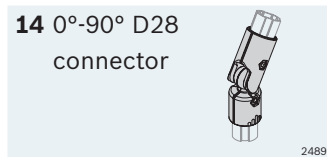
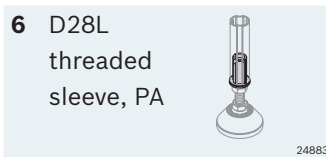
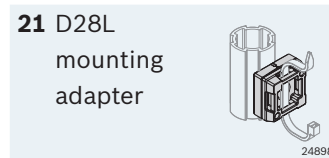
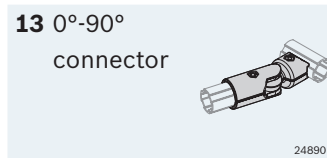
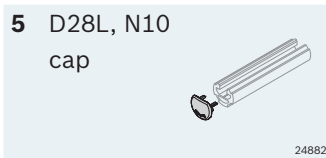
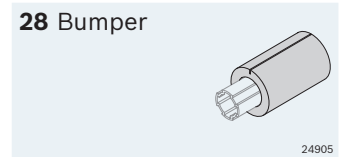
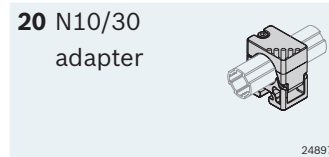
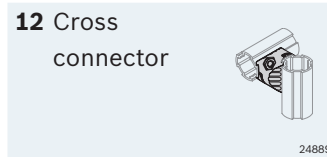
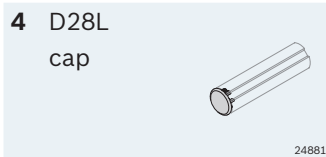
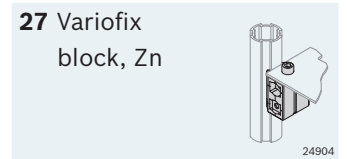
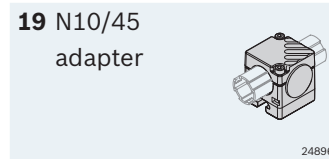
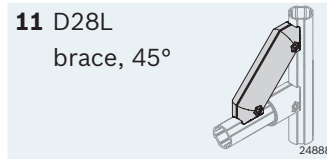
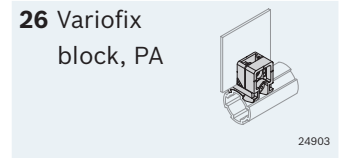
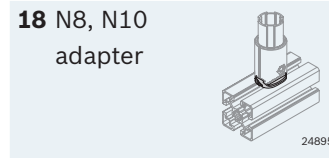
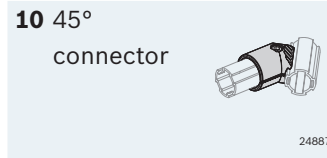
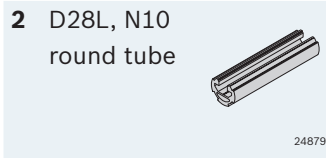
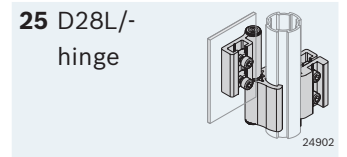
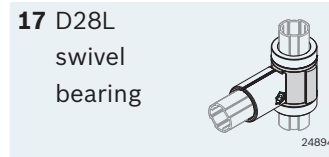
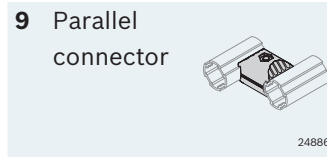
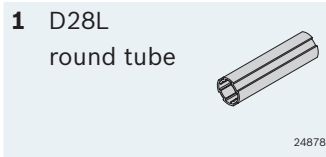
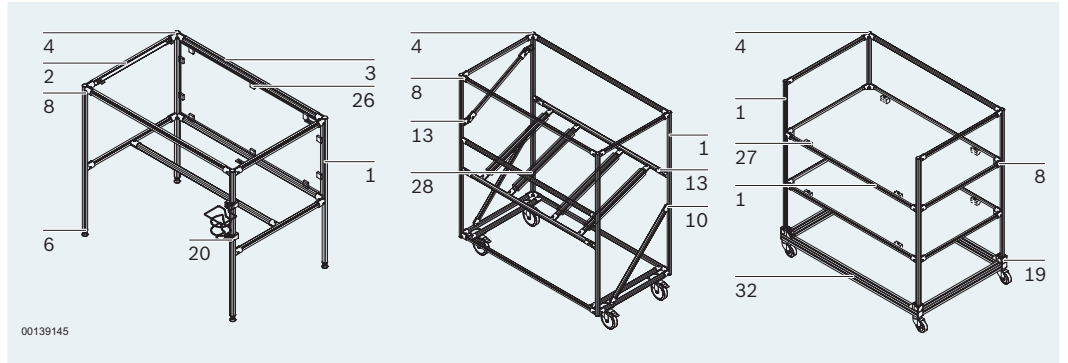


► The connectors can be combined with the EcoShape D28L and D28L, N10 round tubes, as well as the D28 round tube ("Manual Production Systems 5.0" catalog, 3 842 538 280 (2013-11),  105).

- Integrated poka yoke system for easy and secure connector installation
- Twist locks for secure joints
- Positive interlocking connections

31 components – endless possibilities

Consistent simplicity and efficiency are key features of the EcoShape system: just a few components are all you need to create everything from simple transport shuttles to entire assembly lines.



The 31 standard components are designed in accordance with the poka yoke principle, making them quick to assemble and prohibiting any faulty connections. The assembly line can be improved and expanded at any time in line with the kaizen philosophy.

The system allows you to quickly and economically plan and build flow racks, material shuttles, workstations and any other frame systems to meet your specific needs, using the small number of standard components.

- ▶ Two aluminum tubular profiles give your construction the required stability.
- ▶ With just eight connectors you create any imaginable connection between two EcoShape profiles – parallel, perpendicular, or at any desired angle.
- ▶ All of the connectors establish a positive interlocking connection (radial) between the profiles for a secure fit.
- ▶ The connection elements allow for a length tolerance (of 2 mm per connector), greatly facilitating cut-to-size and assembly work.
- ▶ Variofix blocks let you securely attach surface elements quickly and inexpensively.
- ▶ EcoShape can be combined with the components from the MPS Manual Production Systems and MGE Basic Mechanic Elements product ranges. You can use this versatility to expand system functionality, for example in the area of ergonomics.
- ▶ The ability to combine all components with one another gives you great flexibility with just a few components.
- ▶ The tubes and connectors will neither rust nor wear, making them ideal for long-term use and for reuse in new systems.
- ▶ For even greater stability you can combine EcoShape with the modular aluminum framing system.

ESD conductivity

All EcoShape systems are ESD-conductive and suitable for use in ESD-sensitive areas. All parts with the ESD symbol in the catalog are suitable for building ESD-conductive systems. ESD conductivity is guaranteed in accordance with the standard DIN EN 61340-5-1. No further ESD elements are required – with EcoShape you have everything in a single package.

Ergonomics

The combination of lean production and ergonomics results in an unbeatable strategy to help you achieve short production runs and reduced costs. EcoShape unites low investment expenditure with high flexibility and quality, including in the area of ergonomics. The ergonomic accessories found in the MPS program can also be used with all EcoShape workstations and flow rack systems.

| | |
|---|--|
|  | <p>For the design and planning of EcoShape tubular framing systems we recommend MTpro! More information can be found on page 21.</p> |
|---|--|

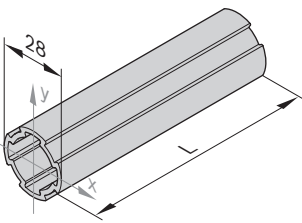


◀ **Aluminum is environmentally friendly and up to 99% recyclable. Aluminum profiles are reusable.**



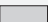


1

$A = 1,80 \text{ cm}^2$
 $I_x = 1,33 \text{ cm}^4$
 $I_y = 1,33 \text{ cm}^4$
 $W_x = 0,95 \text{ cm}^3$
 $W_y = 0,95 \text{ cm}^3$
 $m = 0,48 \text{ kg/m}$



00134985

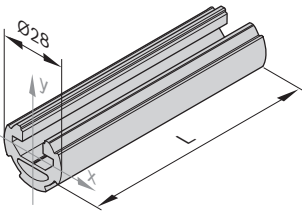

- ▶ Round tube D28L with 4 interfaces for attaching EcoShape connectors

| D28L round tube | L (mm) | No. |
|--|-------------|------------------------|
| 1 pc  | 50 ... 5600 | 3 842 996 191/L |
|  50 pcs  | 5600 | 3 842 541 211 |

Material: Aluminum, anodized

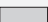

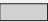
2

$A = 2,63 \text{ cm}^2$
 $I_x = 1,17 \text{ cm}^4$
 $I_y = 1,97 \text{ cm}^4$
 $W_x = 0,84 \text{ cm}^3$
 $W_y = 1,41 \text{ cm}^3$
 $m = 0,71 \text{ kg/m}$

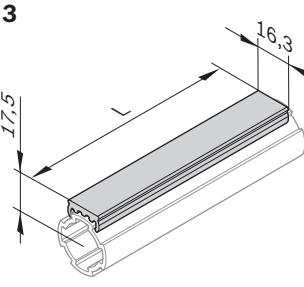
00134986

- ▶ D28L, N10 round tube with 10 mm slot for mounting accessories from the modular aluminum framing system
- ▶ 3 interfaces for attaching EcoShape connectors

| D28L, N10 round tube | L (mm) | No. |
|--|-------------|------------------------|
| 1 pc  | 50 ... 5600 | 3 842 996 192/L |
|  20 pcs  | 5600 | 3 842 541 213 |



Material: Aluminum, anodized

3



00134987

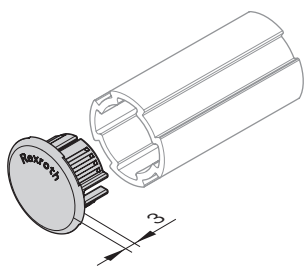
- ▶ Slide rail for creating a simple conveyor track or manual slide section by clipping slide rail onto a D28L or D28L, N10 round tube

| Slide rail | L (mm) | ESD |  | No. |
|------------|--------|---|---|----------------------|
| | 2000 | | 10 | 3 842 541 196 |
| | 2000 |  | 10 | 3 842 548 117 |

Material: PVC, gray

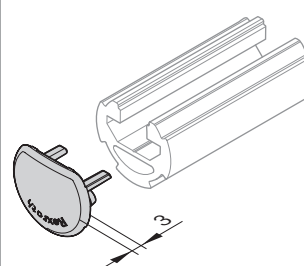
ESD: PVC (conductive), black

4






24132

5

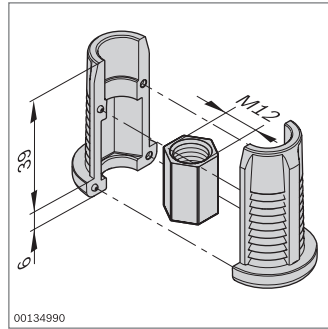
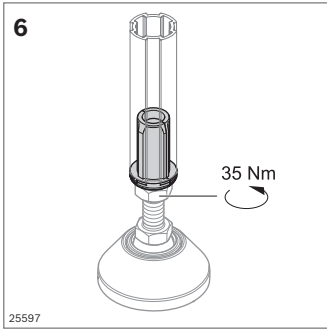


24133

- ▶ Cap for D28L and D28L, N10 round tube

| Cap | ESD |  | No. |
|--------------------|---|---|----------------------|
| 4 D28L |  | 20 | 3 842 548 129 |
| 5 D28L, N10 |  | 20 | 3 842 548 130 |

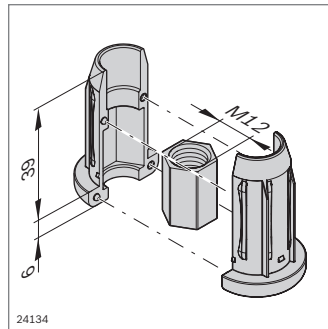
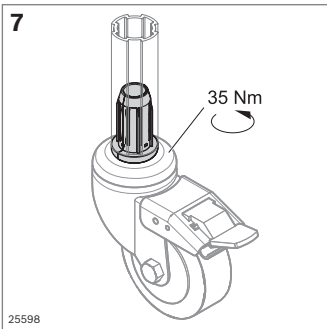
Material: PA66 (conductive), black



► Threaded sleeve for integrating a leveling foot or caster.
Further information (📄 19)

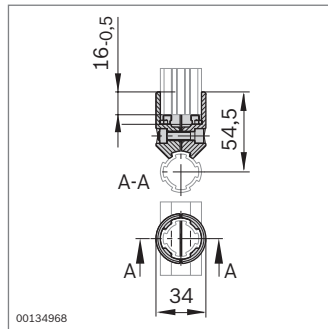
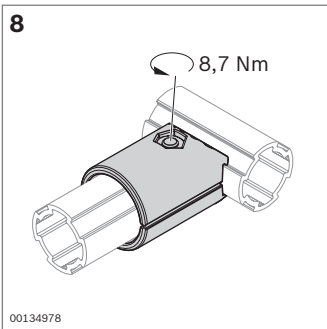
| D28L threaded sleeve, PA | ESD | No. |
|--------------------------|-----|---------------|
| | 20 | 3 842 541 185 |

Material: PA66 (conductive), black
Hexagon nut: aluminum



| D28L threaded sleeve, Zn | ESD | No. |
|--------------------------|-----|---------------|
| | 20 | 3 842 548 119 |

Material: Diecast zinc
Hexagon nut: aluminum

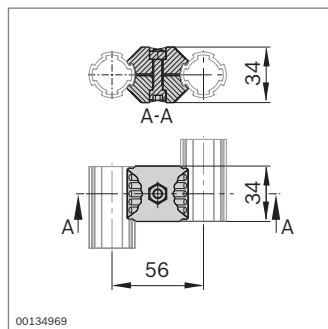
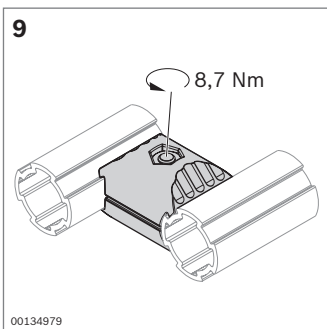


| 90° connector | ESD | No. | FS |
|---------------|-----|---------------|-----|
| | 20 | 3 842 541 173 | FS1 |

Material: Diecast zinc
Scope of delivery: Incl. fastening material (FS)

FS1

| | |
|----------|-------|
| ISO 4762 | M6x25 |
| ISO 4032 | M6 |

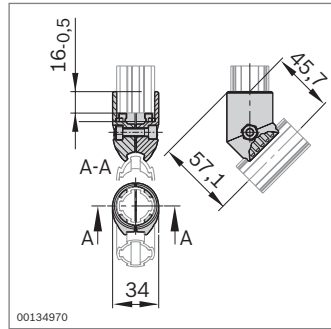
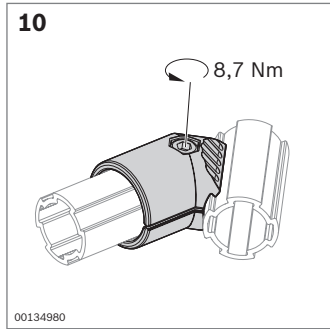


| Parallel connector | ESD | No. | FS |
|--------------------|-----|---------------|-----|
| | 20 | 3 842 541 183 | FS1 |

Material: Diecast zinc
Scope of delivery: Incl. fastening material (FS)

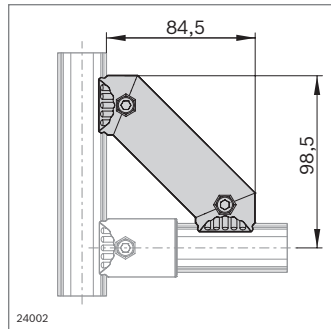
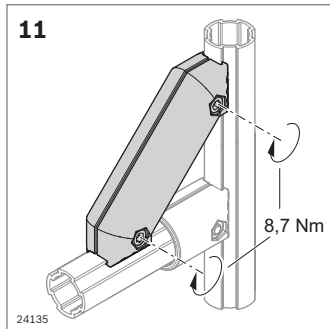
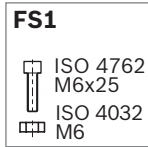
FS1

| | |
|----------|-------|
| ISO 4762 | M6x25 |
| ISO 4032 | M6 |



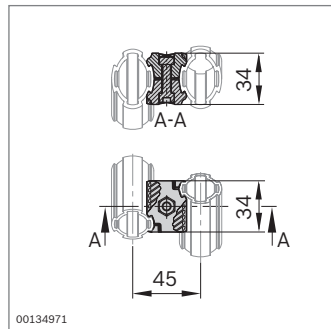
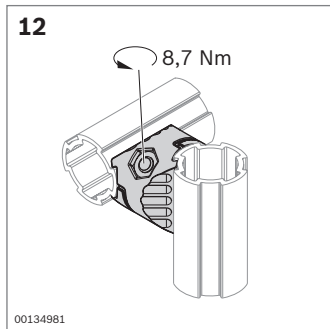
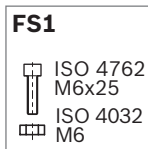
| 45° connector | ESD | No. | FS |
|---------------|-----|-----|-------------------|
| | | 20 | 3 842 541 175 FS1 |

Material: Diecast zinc
 Scope of delivery: Incl. fastening material (FS)



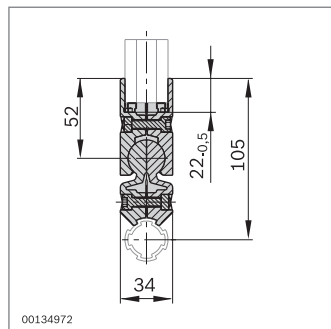
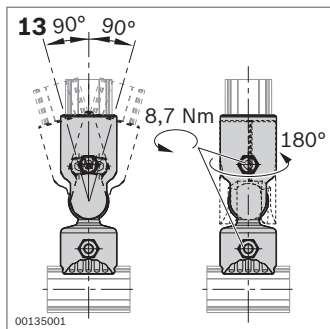
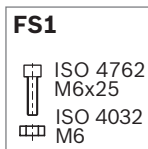
| D28L brace, 45° | ESD | No. | FS |
|-----------------|-----|-----|---------------------|
| | | 20 | 3 842 548 118 2xFS1 |

Material: Diecast zinc
 Scope of delivery: Incl. fastening material (FS)



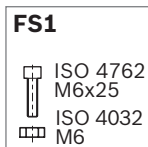
| Cross connector | ESD | No. | FS |
|-----------------|-----|-----|-------------------|
| | | 20 | 3 842 541 181 FS1 |

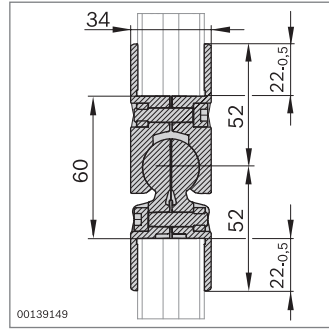
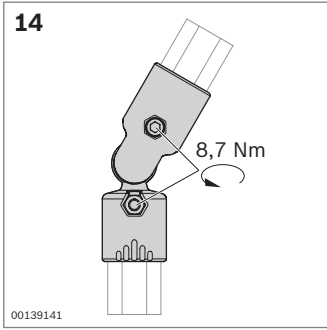
Material: Diecast zinc
 Scope of delivery: Incl. fastening material (FS)



| 0°-90° connector | ESD | No. | FS |
|------------------|-----|-----|---------------------|
| | | 20 | 3 842 541 178 2xFS1 |

Material: Diecast zinc
 Scope of delivery: Incl. fastening material (FS)



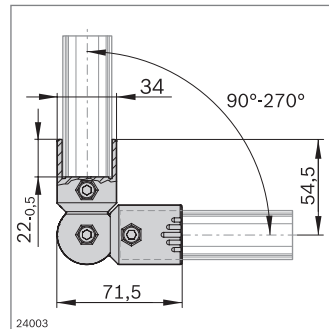
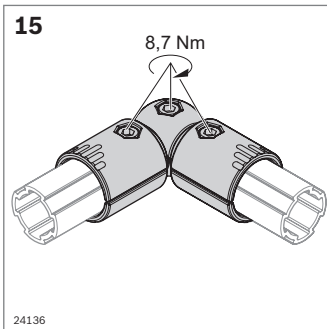


| 0°-90° D28 connector | ESD | No. | FS |
|----------------------|-----|---------------|-------|
| | 20 | 3 842 543 480 | 2xFS1 |

Material: Diecast zinc
 Scope of delivery: Incl. fastening material (FS)

FS1

| | |
|----------|-------|
| ISO 4762 | M6x25 |
| ISO 4032 | M6 |



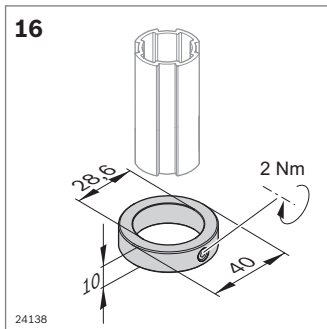
- ▶ D28 corner bracket for easy adjustment in 15° intervals
- ▶ Swivel range: 90°-270°

| D28 corner bracket | ESD | No. | FS |
|--------------------|-----|---------------|-------|
| | 20 | 3 842 548 123 | 3xFS1 |

Material: Diecast zinc
 Scope of delivery: Incl. fastening material (FS)

FS1

| | |
|----------|-------|
| ISO 4762 | M6x25 |
| ISO 4032 | M6 |

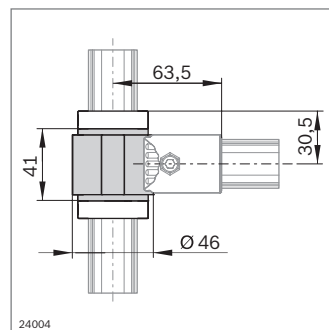
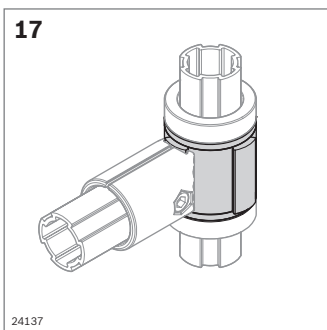


| D28L retaining ring | ESD | No. | FS |
|---------------------|-----|---------------|-----|
| | 20 | 3 842 548 122 | FS2 |

Material: Aluminum
 Scope of delivery: Incl. fastening material (FS)

FS2

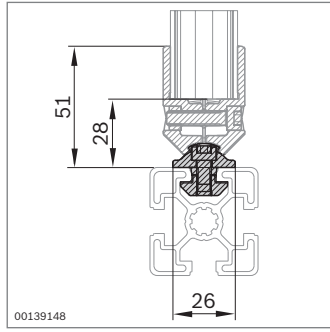
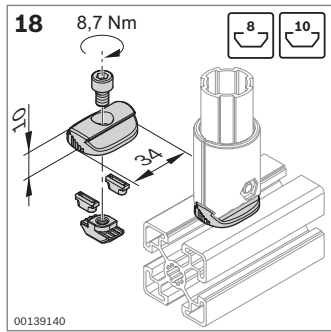
| | |
|----------|------|
| ISO 4026 | M6x6 |
|----------|------|



- ▶ For axial displacement along the D28L or D28L, N10 round tube; end position defined via the retaining ring
- ▶ Realization of swivel applications

| D28L swivel bearing | No. |
|---------------------|---------------|
| 20 | 3 842 548 121 |

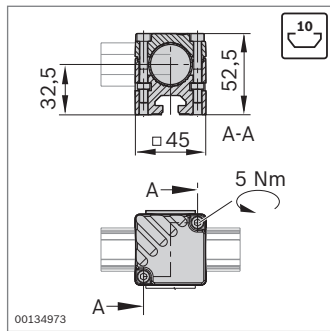
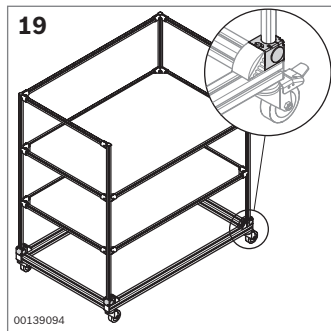
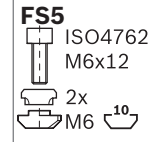
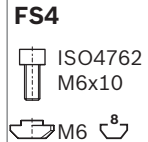
Material: Aluminum
 Bushing: POM, black



- ▶ N8, N10 adapter for connecting an MGE strut profile (8 mm, 10 mm slots)

| N8, N10 adapter | ESD | No. | FS |
|-----------------|-----|---------------|----------|
| | 20 | 3 842 543 272 | FS4, FS5 |

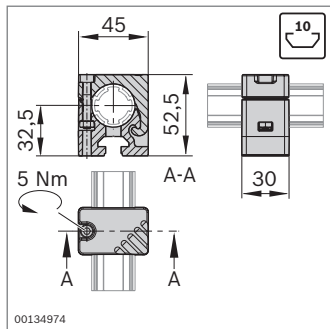
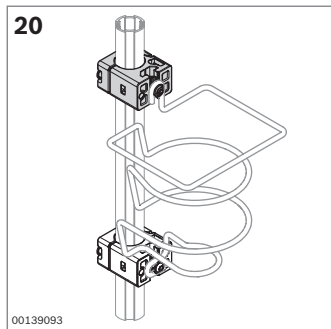
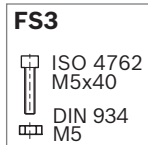
Material: Diecast zinc
 Scope of delivery: Incl. fastening material (FS)



- ▶ N10/45 adapter for connecting D28L or D28L, N10 round tubes to profiles with a 10 mm slot

| N10/45 adapter | ESD | No. | FS |
|----------------|-----|---------------|-------|
| | 20 | 3 842 541 187 | 2xFS3 |

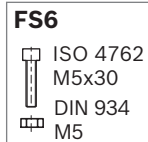
Material: Adapter: Diecast zinc
 Cap: PE
 Scope of delivery: incl. cap, fastening material (FS)

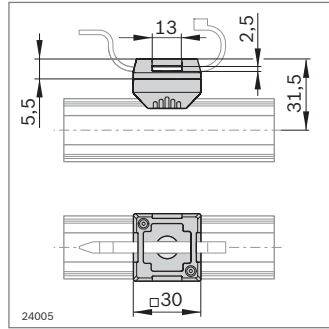
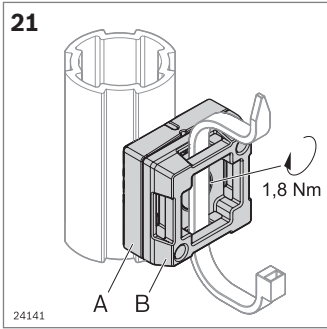


- ▶ N10/30 adapter for mounting light accessories such as a bottle holder to a D28L round tube

| N10/30 adapter | ESD | No. | FS |
|----------------|-----|---------------|-----|
| | 20 | 3 842 541 190 | FS6 |

Material: Diecast zinc
 Scope of delivery: Incl. fastening material (FS)

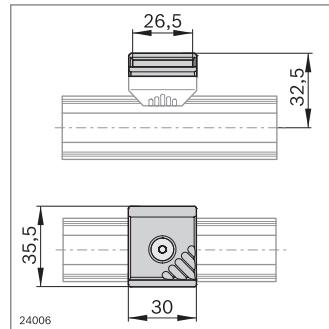
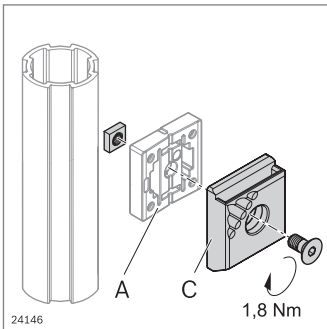
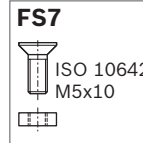




► For attaching cable fasteners

| D28L mounting adapter | ESD | No. | FS |
|-----------------------|-----|----------------------|-----|
| A + B | 20 | 3 842 548 120 | FS7 |

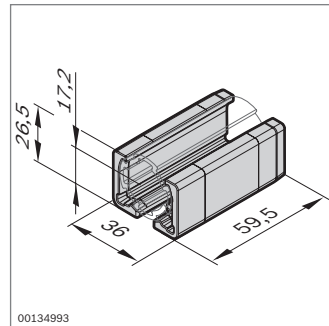
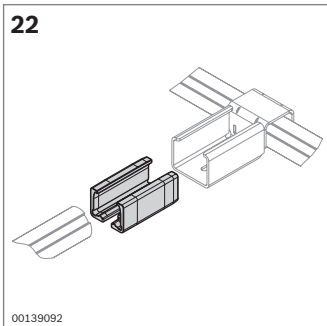
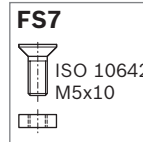
Material: PA66 (conductive), black
 Scope of delivery: Incl. fastening material (FS)



► For attaching containers using the container mount

| Container mount | ESD | No. | FS |
|-----------------|-----|----------------------|-----|
| C | 10 | 3 842 544 797 | FS7 |

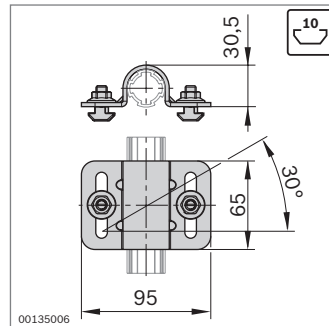
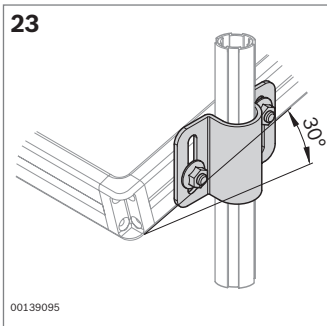
Material: PA66 (conductive), black
 Scope of delivery: Incl. fastening material (FS)



► XLean adapter for combination with XLean. The XLean adapter connects the D28L round tube to the XLean rail holder (☞ 17)

| XLean adapter | ESD | No. |
|---------------|-----|----------------------|
| | 20 | 3 842 541 296 |

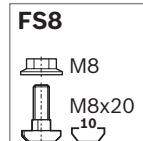
Material: PA66 (conductive), black

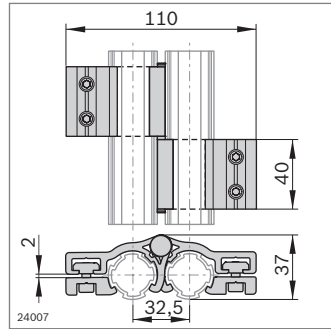
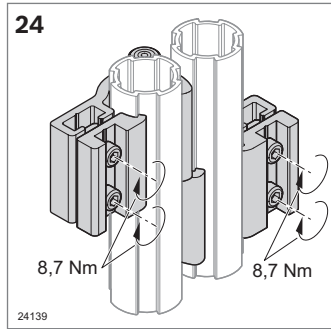


► D28L, N10 tube clip for fastening material shelves with a 10 mm slot to the D28L round tube; inclinations up to 30° possible

| D28L, N10 tube clip | ESD | No. | FS |
|---------------------|-----|----------------------|-------|
| | 20 | 3 842 541 193 | 2xFS8 |

Material: Steel, galvanized
 Scope of delivery: Incl. fastening material (FS)

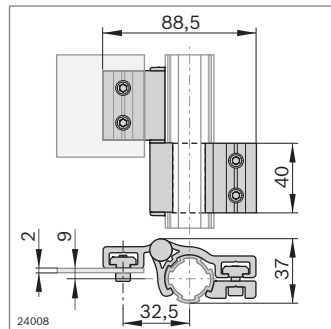
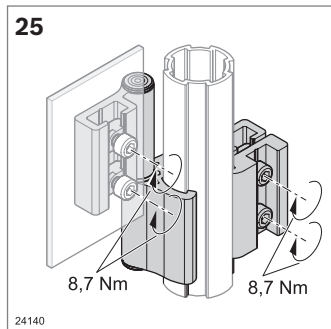
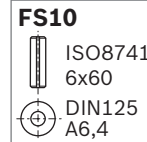
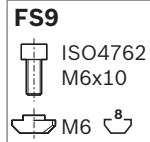




- ▶ Opening angle: 180°
- ▶ For D28L round tube assembly

| D28L/D28L hinge | ESD | No. | FS |
|-----------------|-----|-----|---------------------------|
| | | 2 | 3 842 548 126 4xFS9, FS10 |

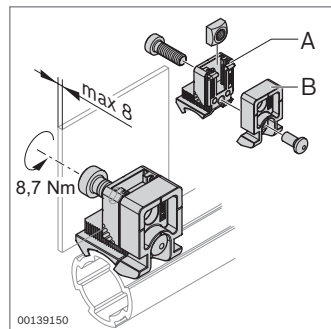
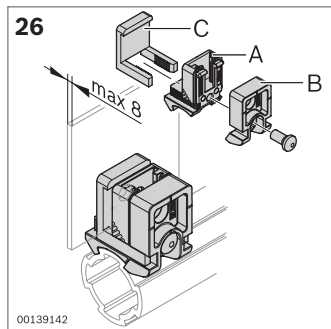
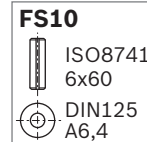
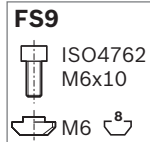
Material: Aluminum
 Scope of delivery: Incl. fastening material (FS)



- ▶ Opening angle: 180°
- ▶ For surface element assembly

| D28L/- hinge | ESD | No. | FS |
|--------------|-----|-----|---------------------------|
| | | 2 | 3 842 548 127 2xFS9, FS10 |

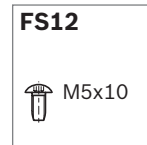
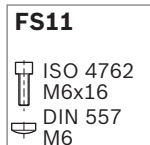
Material: Aluminum
 Scope of delivery: Incl. fastening material (FS)



- ▶ Plastic Variofix block for fastening surface elements with a snap-in clip or screw
- ▶ Variofix remover for releasing the snap-in clip (📄 MGE 13.0 p. 14-7)

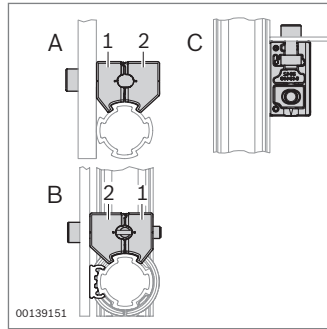
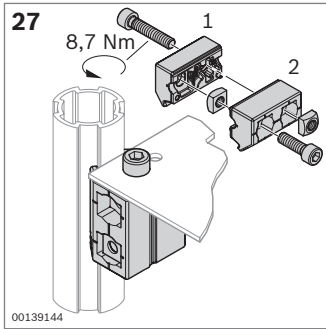
| Variofix block, PA | No. | FS |
|--------------------|-----|--------------------------|
| A + B | 20 | 3 842 543 311 FS11, FS12 |

Material: PA66 (conductive), black
 Scope of delivery: Incl. fastening material (FS)



| Snap-in clip | No. |
|--------------|------------------|
| C | 10 3 842 184 738 |

Material: PA6, transparent

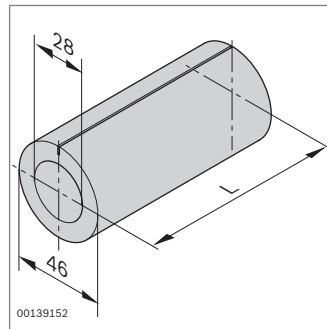
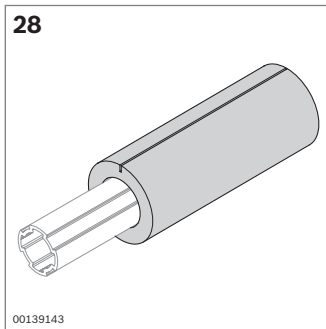
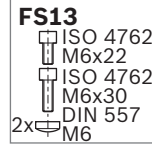


- ▶ Diecast zinc Variofix block for fastening surface elements
- ▶ Three arrangements possible (“A”, “B”, “C”)

| Variofix block, Zn | ESD | No. | FS |
|--------------------|-----|-----|--------------------|
| | | 20 | 3 842 543 494 FS13 |

Material: Diecast zinc

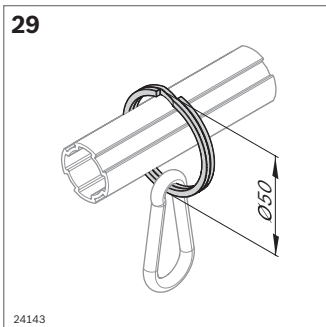
Scope of delivery: Incl. fastening material (FS)



- ▶ Bumper for D28 and D28L round tube

| Bumper | L (mm) | No. |
|--------|--------|------------------|
| | 2000 | 10 3 842 544 637 |

Material: PE-LD, gray



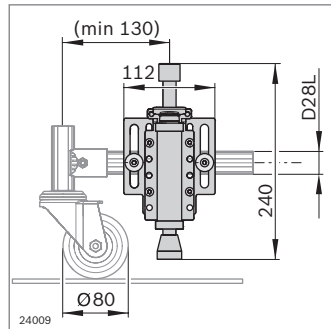
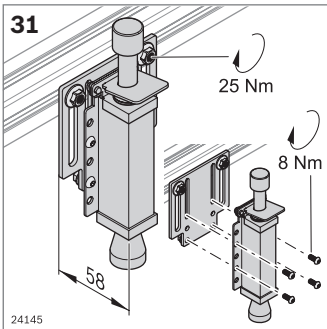
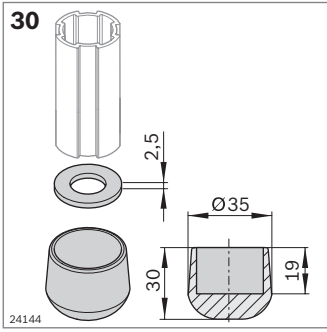
- ▶ For designing simple tool holders

| D50 ring | No. |
|----------|------------------|
| | 20 3 842 548 131 |

Material: Steel, nickel-plated

| Carabiner | No. |
|-----------|-----------------|
| | 1 0 842 901 309 |

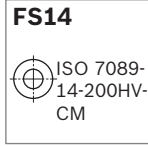
Material: Steel, galvanized



- ▶ Anti-slip flow rack and stand designs

| D28 rubber foot | ESD | No. | FS |
|-----------------|-----|-----|--------------------|
| | | 20 | 3 842 548 128 FS14 |

Material: NR/SBR (conductive), black

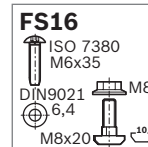


- ▶ To ergonomically stop material shuttles at only one point
- ▶ Universal attachment options to the different round tubes and profile cross sections
- ▶ Stopper preload length: 34 mm

| D28L, N10 stopper | No. | FS |
|-------------------|---------------|-------------------|
| | 3 842 548 132 | 4xFS15, 2xFS16 |

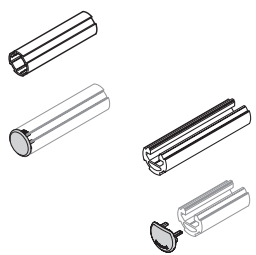
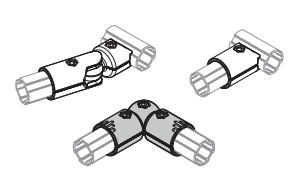
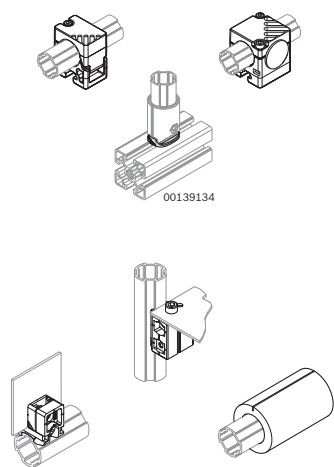
Material: Stopper: stainless steel, EPDM
Attachment plate: aluminum

Scope of delivery: Incl. fastening material (FS)

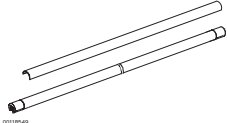
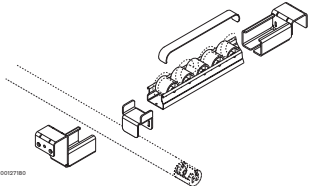
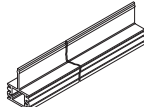
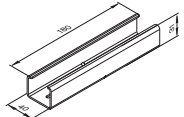
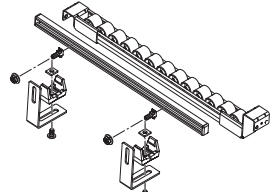
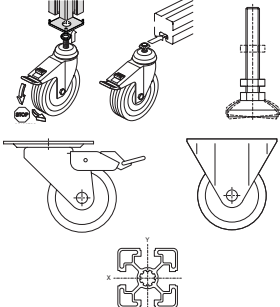




EcoShape modular product system

| Tubular framing system | L (mm) | ESD No. | Page | |
|--|----------------------------|---------------|-------------------|----|
|  | D28L round tube | 5600 | 3 842 541 211 | 6 |
| | D28L round tube | 50 ... 5600 | 3 842 996 191/... | 6 |
| | D28L, N10 round tube | 5600 | 3 842 541 213 | 6 |
| | D28L, N10 round tube | 50 ... 5600 | 3 842 996 192/... | 6 |
| | Slide rail | 2000 | 3 842 541 196 | 6 |
| | Slide rail | 2000 | 3 842 548 117 | 6 |
| | D28L cap | | 3 842 548 129 | 6 |
| | D28L, N10 cap | | 3 842 548 130 | 6 |
| | D28L threaded sleeve, PA | | 3 842 541 185 | 7 |
| | D28L threaded sleeve, Zn | | 3 842 548 119 | 7 |
|  | 90° connector | | 3 842 541 173 | 7 |
| | Parallel connector | | 3 842 541 183 | 7 |
| | 45° connector | | 3 842 541 175 | 8 |
| | D28L brace, 45° | | 3 842 548 118 | 8 |
| | Cross connector | | 3 842 541 181 | 8 |
| | 0°-90° connector | | 3 842 541 178 | 8 |
| | 0°-90° D28 connector | | 3 842 543 480 | 9 |
| | D28 corner bracket | | 3 842 548 123 | 9 |
|  | D28L retaining ring | | 3 842 548 122 | 9 |
| | D28L swivel bearing | | 3 842 548 121 | 9 |
| | N8, N10 adapter | | 3 842 543 272 | 10 |
| | N10/45 adapter | | 3 842 541 187 | 10 |
| | N10/30 adapter | | 3 842 541 190 | 10 |
| | D28L mounting adapter | | 3 842 548 120 | 11 |
| | Container mount | | 3 842 544 797 | 11 |
| | XLean adapter | | 3 842 541 296 | 11 |
| | D28L, N10 tube clip | | 3 842 541 193 | 11 |
| | D28L/D28L hinge | | 3 842 548 126 | 12 |
| | D28L/- hinge | | 3 842 548 127 | 12 |
| | Variofix block, PA | | 3 842 543 311 | 12 |
| | Snap-in clip | | 3 842 184 738 | 12 |
| | Variofix block, Zn | | 3 842 543 494 | 13 |
| | Bumper for D28L round tube | | 3 842 544 637 | 13 |
| D50 ring | | 3 842 548 131 | 13 | |
| Carabiner | | 0 842 901 309 | 13 | |
| D28 rubber foot | | 3 842 548 128 | 14 | |
| D28L, N10 stopper | | 3 842 548 132 | 14 | |

Selected combination options with components from the MPS Manual Production Systems and MGE Basic Mechanic Elements product ranges
www.boschrexroth.com/mediadirectory

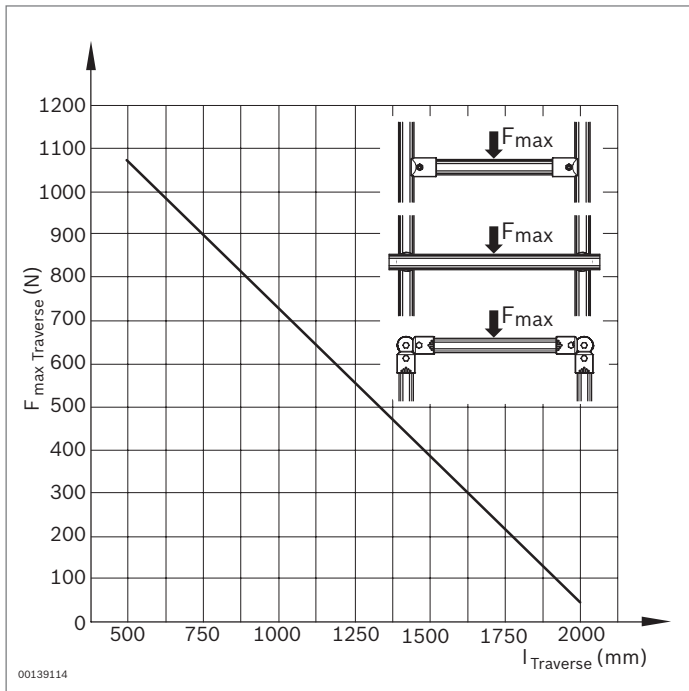
| Manual Production Systems 5.0 (3 842 538 280 (2013-11)) | | L (mm) | ESD No. | Page |
|---|--|---------------|------------------------|-------------|
|  | Lettering clip for tubular cross tie | 2000 | 3 842 535 136 | 106 |
| | Lettering clip for tubular cross tie | 102 | 3 842 538 093 | 106 |
|  | D28 round tube | 30 ... 6000 | 3 842 993 317/L | 105 |
| | D28 round tube | 6070 | 3 842 535 118 | 105 |
| | D28 roller section | 100 ... 4500 | 3 842 993 321/L | 91 |
| | D28, ESD roller section | 100 ... 4500 | 3 842 993 431/L | 91 |
| | D28 roller section | 4500 | 3 842 537 776 | 91 |
| | D28, ESD roller section | 4500 | 3 842 537 778 | 91 |
| | D28SK roller section | 100 ... 4500 | 3 842 993 322/L | 91 |
| | D28SK, ESD roller section | 100 ... 4500 | 3 842 993 432/L | 91 |
| | D28SK roller section | 4500 | 3 842 537 777 | 91 |
| | D28SK, ESD roller section | 4500 | 3 842 537 779 | 91 |
| | Brake | | 3 842 532 871 | 92 |
| | Rail holder with stop | | 3 842 538 372 | 91 |
| | Rail holder without stop | | 3 842 537 687 | 91 |
| | Mount | | 3 842 537 657 | 92 |
| | D28 tube clip | | 3 842 535 364 | 100 |
|  | Polymer profile | 30 ... 3000 | 3 842 993 615/L | 102 |
| | Polymer profile, ESD | 30 ... 3000 | 3 842 993 617/L | 102 |
| | Polymer profile | 3000 | 3 842 538 108 | 102 |
| | Polymer profile, ESD | 3000 | 3 842 538 107 | 102 |
| | Rail holder with stop | | 3 842 538 051 | 102 |
| | Rail holder without stop | | 3 842 538 050 | 102 |
|  | XLean transport guide mount | | 3 842 538 102 | 102 |
| | M6, P60 - P 30 bracket set | | 3 842 537 862 | 154 |
| | Section link | | 3 842 536 722 | 92 |
| | Bridge | | 3 842 536 724 | 92 |
| | Flexible bridge | | 3 842 537 911 | 92 |
|  | Adapter | | 3 842 537 022 | 158 |
| | Mounting bracket | | 3 842 535 125 | 158 |
| | Profile 15x22.5 | 30 ... 3000 | 3 842 992 473/L | 158 |
| | Profile 15x22.5 | 2000 | 3 842 513 576 | 158 |
| | Cap | | 3 842 537 594 | 158 |
| Basic Mechanic Elements 13.0 (3 842 540 391 (2013-02)) | | | ESD No. | Page |
|  | Caster wheel with lock | | 3 842 541 226 | 6-17 |
| | Caster wheel | | 3 842 541 234 | 6-17 |
| | Leveling foot | | 3 842 529 025 | 6-4 |
| | Leveling foot | | 3 842 352 061 | 6-5 |
| | Caster wheel with mounting flange and lock | | 3 842 259 790 | 6-21 |
| | Trestle wheel with mounting flange | | 3 842 259 792 | 6-22 |
| | 45x45L profile | | 3 842 992 425/L | 2-34 |

Technical data

The stated torque and load limit values were determined using a test model (dry).

D28L cross tie – Permissible point load, center

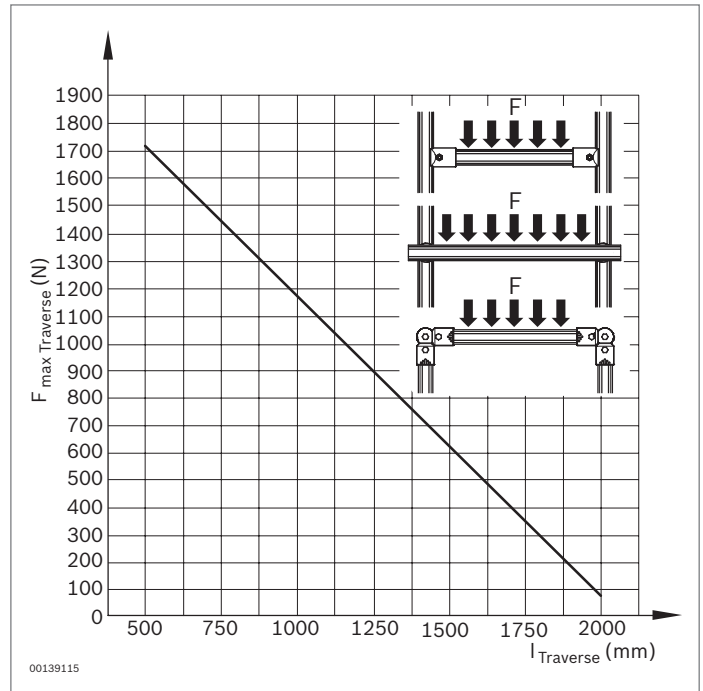
Connectors: 90° connector, cross connector, corner bracket



Safety factors and building specifications required by law and standard technical rules must be observed!

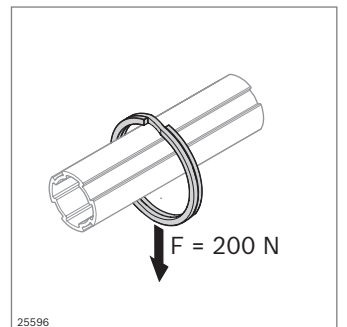
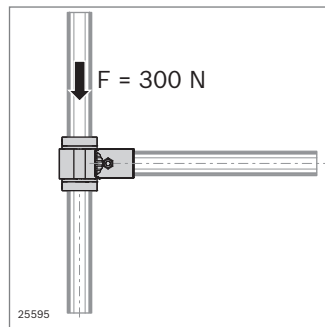
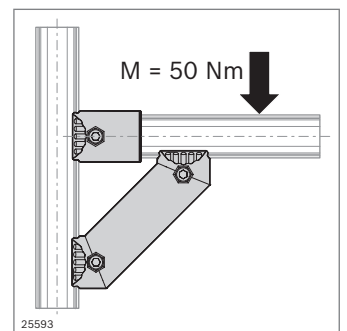
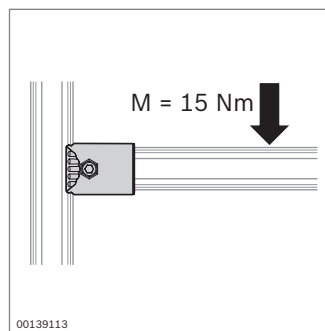
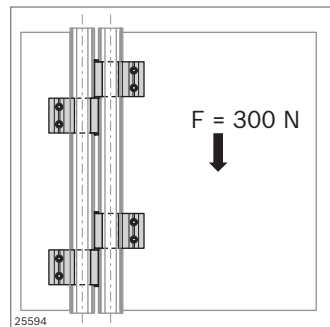
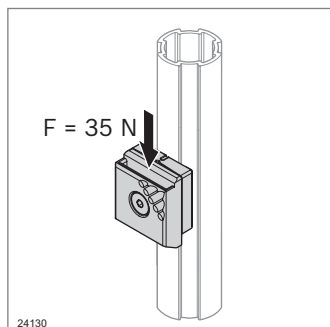
D28L cross tie – Permissible section load

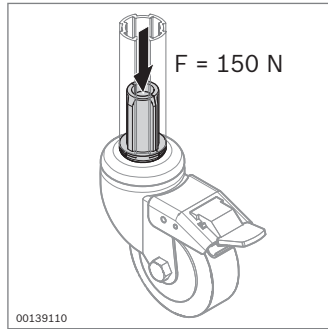
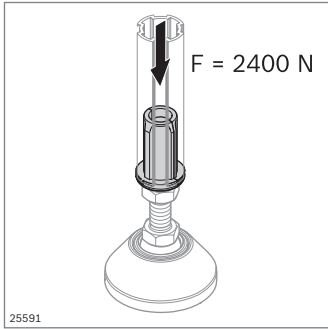
Connectors: 90° connector, cross connector, corner bracket



Connectors

Permissible load values for the connections

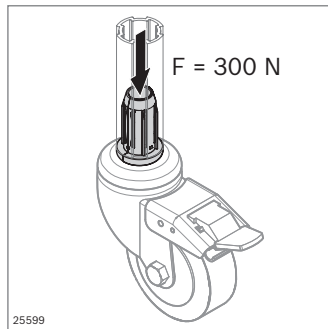
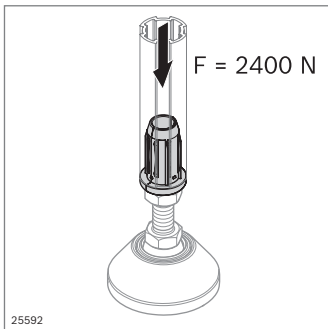




D28L threaded sleeve, PA

Permissible bearing load

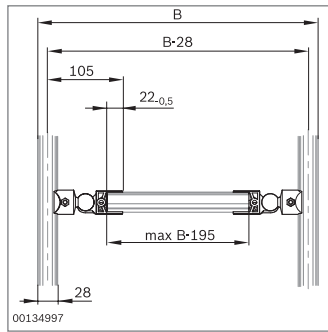
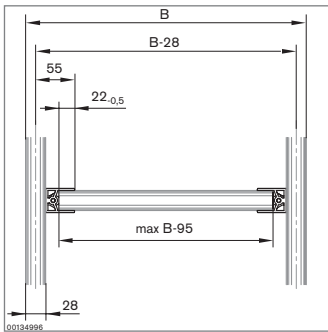
Material shuttle approved for 60 kg



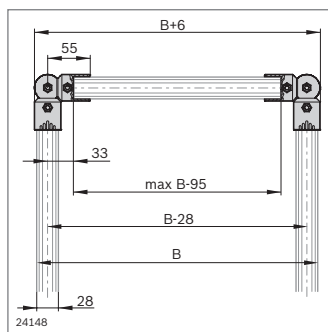
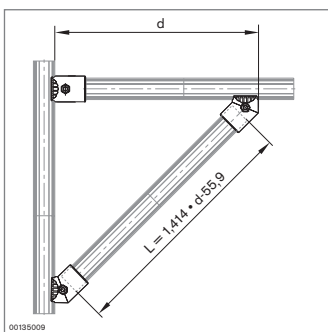
D28L threaded sleeve, Zn

Permissible bearing load

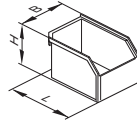
Material shuttle approved for 100 kg



Length calculation



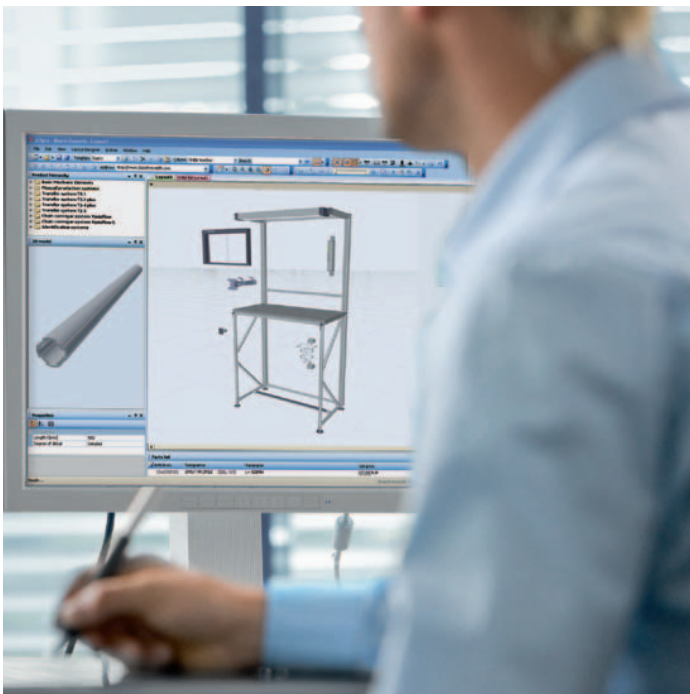
Grab containers



| | | | | | | Static load limit | | |
|--|--|---------|-----------------|------|----------------------|---|-----------------------|---|
| | | | | | | D28L, N10 with container mount | Suspension profile | Mounting adapter with container mount and D28L round tube |
| | | | | | | (kg) | (kg) | (kg) |
| | | | | | | ESD No. | | |
| | | | | | | W x H x L (mm) (cm³) | | |
| Grab tray GB-Sxx Grab container GB-xxxx Grab ledge G-Zxx | | GB-S08 | 82 x 50 x 86 | 150 | 3 842 344 764 | 11 | 17 | 5 |
| | | | | | 3 842 346 294 | 6 | 10 | - |
| Material: ABS Surface resistivity: 10 ¹⁴ Ω/sq Specific volume resistance: 10 ¹⁴ Ω/cm Min./max. ambient temperature: -40°C/+70°C Resistant to weak acidic and caustic materials, alcohols, greases, oils, water | | GB-S12 | 123 x 50 x 86 | 240 | 3 842 344 765 | 11 | 19 | 5 |
| | | | | | 3 842 346 295 | 6 | 11 | - |
| | | GB-S17 | 173 x 50 x 86 | 360 | 3 842 344 766 | 11 | 21 | 5 |
| | | | | | 3 842 346 296 | 6 | 12 | - |
| | | GB-0805 | 82 x 50 x 173 | 370 | 3 842 344 750 | 10 | 26 | 3 |
| | | | | | 3 842 346 280 | 6 | 15 | - |
| | | GB-1205 | 123 x 50 x 173 | 600 | 3 842 344 751 | 10 | 26 | 3 |
| | | | | | 3 842 346 281 | 6 | 15 | - |
| | | GB-1210 | 123 x 100 x 173 | 1370 | 3 842 344 752 | 10 | 26 | 3 |
| | | | | | 3 842 346 282 | 6 | 15 | - |
| ESD version Material: ABS-CF Surface resistivity: 10 ⁴ Ω/sq ... 10 ⁶ Ω/sq Specific volume resistance: 10 ⁴ Ω/cm ... 10 ⁶ Ω/cm Min./max. ambient temperature: -40°C/+70°C Resistant to weak acidic and caustic materials, alcohols, greases, oils, water | | GB-1710 | 173 x 100 x 245 | 3050 | 3 842 344 753 | 13 | 30 | 2 |
| | | | | | 3 842 346 283 | 8 | 18 | - |
| | | GB-Z08 | 90 x 54 x 277 | 690 | 3 842 344 760 | 10 | 30 | 2 |
| | | | | | 3 842 346 290 | 6 | 18 | - |
| | | GB-Z12 | 131 x 54 x 277 | 1050 | 3 842 344 761 | 6 | 23 | 2 |
| | | | | | 3 842 346 291 | 3 | 13 | - |

You will find more information on grab containers and accessories in the Manual Production Systems 5.0 catalog (3 842 538 280 (2013-11))
www.boschrexroth.com/mediadirectory

MTpro planning software – fast, reliable planning



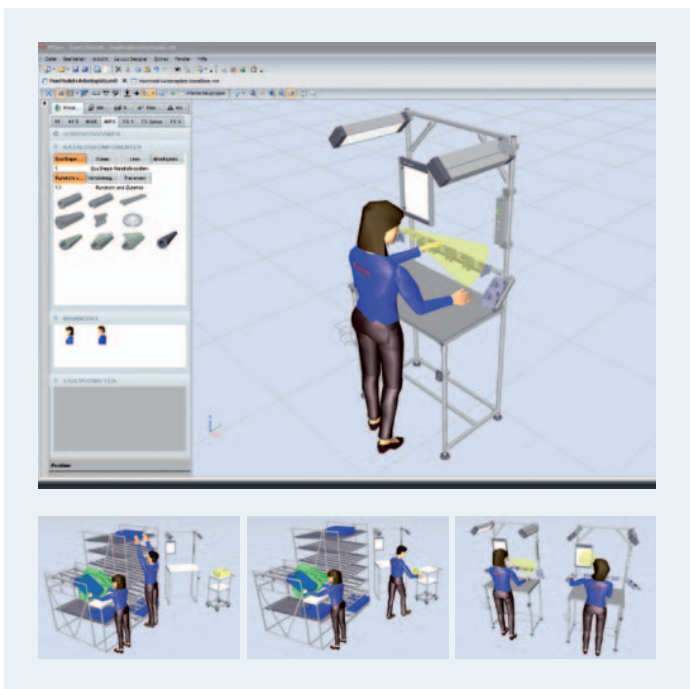
First plan, then order – it's that easy with MTpro planning software

MTpro is the high-performance, yet easy-to-use software from Rexroth that supports you in planning your assembly systems, without any prior knowledge of CAD. The user-friendly program guides you through a series of steps, from component selection to configuration and ordering of required parts.

MTpro features:

- ▶ Layout Designer for fast planning of complete frames and conveyor systems
- ▶ Simple planning via drag & drop
- ▶ No knowledge of CAD required
- ▶ Graphical user interface and multilingual content in 7 different languages (de, en, fr, es, it, jp, zh)
- ▶ ManModel function for ergonomic workstation planning
- ▶ User library to reuse your own modules
- ▶ Export of 3D models in all common CAD formats
- ▶ Automatic parts list generation with all accessories and small parts, including calculation of order lists
- ▶ Product information for Rexroth product lines
- ▶ MGE (Basic Mechanic Elements), MPS (Manual Production Systems), MIT (Material and Information Flow Technology)

With its “ManModels”, MTpro planning software can optimally adapt constructions for individual workers – with the perfect reach zone, the right distance to equipment, and the ideal angle of vision. The reach zone should be easily accessible from the working position and assist workers in avoiding unhealthy postures. It is divided into the working area directly within reach of the seated employee, the large reach zone, and the extended one-hand zone at the periphery.



Bosch Rexroth AG

Postfach 30 02 07
70442 Stuttgart, Germany
www.boschrexroth.com

You can find local contact information at:

www.boschrexroth.com/contact