

New additions catalog MGE/ MPS 2017

1.0





New additions 2017 from the MGE and MPS product lines!

The new additions catalog provides a quick overview of the developments in the MGE and MPS field. It is a supplement for the existing catalogs until they are updated.

We have harmonized the color scheme with the consistent color concept of the cover caps (signal gray and ESD black).

The heavy-duty connector is a further advancement in the field of basic mechanical elements. Its ability to safely absorb high static and dynamic forces means that the basic mechanical elements can be used in applications that were previously only open to welded steel frames.

The ergonomic workstation design is facilitated with our new space-saving tool shelf. While a maximum of three suspension profiles could be mounted in a tool shelf previously, four suspension profiles can now be used at the same time.

You will find this and much more in our New additions catalog MGE/MPS 2017.

MGE

Cover caps - new color concept signal gray and ESD black	4
Profiles with closed slots	26
Heavy-duty connectors	28
Lifting wheel - rotatable pedal	29
Aluminum cable duct	30
Lock program	31
Manual height adjustment	39

MPS

Tool shelf	41
Side plate	42
ESD armrest	43
System lamps	44
Mains cable	52
Tool holder TAPE 50 mm	54

Cover caps - new color concept

30x30 2NVS

A = 3,5 cm²
 I_x = 3,1 cm⁴
 I_y = 3,1 cm⁴
 W_x = 2,0 cm³
 W_y = 2,0 cm³
 m = 1,0 kg/m

19181

Cover cap: See 30x30

30x30 3N

A = 3,3 cm²
 I_x = 3,1 cm⁴
 I_y = 2,8 cm⁴
 W_x = 2,3 cm³
 W_y = 2,1 cm³
 m = 0,9 kg/m

19182

Cover cap: See 30x30

30x30°

A = 3,7 cm²
 I_x = 3,5 cm⁴
 I_y = 3,6 cm⁴
 W_x = 2,0 cm³
 W_y = 1,9 cm³
 m = 1,0 kg/m

19183

30x30 2NVS		L (mm)	No.
1 pc		50 ... 5600	3 842 992 398 / L
20 pcs		5600	3 842 506 949

Quick & Easy (p. 2-8; see fold-out section)

30x30 2NVS	3 842 993 706 / ...
Length L (mm)	50 ... 5600
Standard profile finishes (note minimum length, p. Seite 2-16)	M8 / D7.8 / D11 / DB11
Customized profile finishes (L _{max} = 4900 mm)	DI / DIS / MT / MTS / MI / MIS / DG ¹⁾

¹⁾ DG_{max} = 45°; L_{min1} / L_{min2} = 352 / 404 mm

30x30 3N		L (mm)	No.
1 pc		50 ... 5600	3 842 992 400 / L
20 pcs		5600	3 842 506 951

Quick & Easy (p. 2-8; see fold-out section)

30x30 3N	3 842 993 707 / ...
Length L (mm)	50 ... 5600
Standard profile finishes (note minimum length, p. Seite 2-16)	M8 / D7.8 / D11 / DB11
Customized profile finishes (L _{max} = 4900 mm)	DI / DIS / MT / MTS / MI / MIS / DG ¹⁾

¹⁾ DG_{max} = 45°; L_{min1} / L_{min2} = 352 / 404 mm

30x30°		L (mm)	No.
1 pc		50 ... 5600	3 842 993 010 / L
20 pcs		5600	3 842 524 031

Quick & Easy (p. 2-8; see fold-out section)

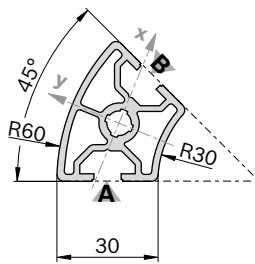
30x30°	3 842 993 708 / ...
Length L (mm)	50 ... 5600
Standard profile finishes (note minimum length, p. Seite 2-16)	M8
Customized profile finishes	—

NEW	Cover cap	Color	ESD	No.
	30x30° (1x)	Signal gray	20	3 842 551 008
	30x30° (1x)	Black		20 3 842 551 009
	Material:	PP		

Cover caps - new color concept

30x45°

A = 4,0 cm²
 I_x = 3,6 cm⁴
 I_y = 5,1 cm⁴
 W_x = 2,1 cm³
 W_y = 2,3 cm³
 m = 1,1 kg/m



19184

30x45°		L (mm)	No.
1 pc		50 ... 5600	3 842 993 011 / L
20 pcs		5600	3 842 524 034

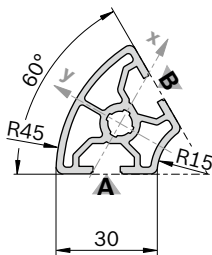
Quick & Easy (p. 2-8; see fold-out section)

30x45°		3 842 993 711 / ...
Length L (mm)	50 ... 5600	
Standard profile finishes (note minimum length, p. Seite 2-16)	M8	
Customized profile finishes	-	

NEW	Cover cap	Color	ESD	No.
	30x45° (1x)	Signal gray	20	3 842 551 010
	30x45° (1x)	Black		3 842 551 011
Material:		PP		

30x60°

A = 3,6 cm²
 I_x = 3,0 cm⁴
 I_y = 4,1 cm⁴
 W_x = 1,7 cm³
 W_y = 1,9 cm³
 m = 1,0 kg/m



19185

30x60°		L (mm)	No.
1 pc		50 ... 5600	3 842 993 012 / L
20 pcs		5600	3 842 524 037

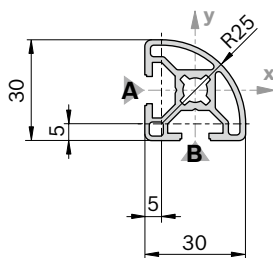
Quick & Easy (p. 2-8; see fold-out section)

30x60°		3 842 993 714 / ...
Length L (mm)	50 ... 5600	
Standard profile finishes (note minimum length, p. Seite 2-16)	M8	
Customized profile finishes	-	

NEW	Cover cap	Color	ESD	No.
	30x60° (1x)	Signal gray	20	3 842 551 012
	30x60° (1x)	Black		3 842 551 013
Material:		PP		

30x30 R

A = 2,9 cm²
 I_x = 2,3 cm⁴
 I_y = 2,3 cm⁴
 W_x = 1,4 cm³
 W_y = 1,4 cm³
 m = 0,8 kg/m



19186

30x30 R		L (mm)	No.
1 pc		50 ... 5600	3 842 992 896 / L
20 pcs		5600	3 842 517 198

Quick & Easy (p. 2-8; see fold-out section)

30x30 R		3 842 993 709 / ...
Length L (mm)	50 ... 5600	
Standard profile finishes (note minimum length, p. 2-15)	M8 / DB11	
Customized profile finishes	-	

NEW	Cover cap	Color	ESD	No.
	30x30° (1x)	Signal gray	20	3 842 548 776
	30x30° (1x)	Black		3 842 548 777
Material:		PP		

Cover caps - new color concept

30x60

A = 5,5 cm²
I_x = 19,6 cm⁴
I_y = 5,1 cm⁴
W_x = 7,0 cm³
W_y = 3,9 cm³
m = 1,5 kg/m

19187

30x60		L (mm)	No.
1 pc		50 ... 5600	3 842 992 457 / L
1 pc	M8	50 ... 5600	3 842 992 458 / L
1 pc	M8	80 ... 5600	3 842 992 926 / L
1 pc	D11	50 ... 5600	3 842 992 459 / L
1 pc	D11	60 ... 5600	3 842 992 460 / L
1 pc	D11	60 ... 5600	3 842 992 463 / L
1 pc	D11V	60 ... 5600	3 842 992 462 / L
10 pcs		5600	3 842 512 603

Profile finishing: M8: in all core holes
D11: in slots B/F, C/E
D11V: in slots A/D

NEW

Cover cap	Color	ESD	No.
30x30 (2x)	Signal gray	100	3 842 548 744
30x60 (1x)	Signal gray	20	3 842 548 780
30x30 (2x)	Black		3 842 548 745
30x60 (1x)	Black		3 842 548 781

Material: PP

Quick & Easy (p. 2-8; see fold-out section)

30x60	3 842 993 712 / ...
Length L (mm)	50 ... 5600
Standard profile finishes (note minimum length, p. Seite 2-16)	M8 / D7.8 / D11 / DB11
Customized profile finishes (L _{max} = 4900 mm)	DI / DIS / MT / MTS / MI / MIS / DG ¹⁾

¹⁾ DG_{max} = 45°; L_{min1} / L_{min2} = 404 / 508 mm

NEW

Cover cap with hole	Color	ESD	No.
30x30 (2x)	Signal gray	20	3 842 548 774
30x30 (2x)	Black		3 842 548 775

Material: PP

30x60 4N

A = 5,8 cm²
I_x = 20,2 cm⁴
I_y = 5,5 cm⁴
W_x = 6,7 cm³
W_y = 3,8 cm³
m = 1,6 kg/m

19188

30x60 4N	L (mm)	No.
1 pc		50 ... 6000 3 842 993 420 / L
10 pcs		6070 3 842 536 472

Quick & Easy (p. 2-8; see fold-out section)

30x60 4N	3 842 993 713 / ...
Length L (mm)	50 ... 6000
Standard profile finishes (note minimum length, p. Seite 2-16)	M8 / D7.8 / D11 / DB11
Customized profile finishes (L _{max} = 5400 mm)	DI / DIS / MT / MTS / MI / MIS / DG ¹⁾

¹⁾ DG_{max} = 45°; L_{min1} / L_{min2} = 404 / 508 mm

Cover cap: See 30x60

30x60x60

A = 8,2 cm²
I_x = 26,2 cm⁴
I_y = 26,2 cm⁴
W_x = 7,6 cm³
W_y = 7,6 cm³
m = 2,2 kg/m

19189

30x60x60	L (mm)	No.
1 pc		50 ... 5600 3 842 993 016 / L
20 pcs		5600 3 842 524 049

Quick & Easy (p. 2-8; see fold-out section)

30x60x60	3 842 993 715 / ...
Length L (mm)	50 ... 5600
Standard profile finishes (note minimum length, p. Seite 2-16)	M8 / D7.8 / D11 / DB11
Customized profile finishes (L _{max} = 4900 mm)	DI / DIS / MT / MTS / MI / MIS / DG ¹⁾

¹⁾ DG_{max} = 45°; L_{min1} / L_{min2} = 404 / 508 mm

NEW

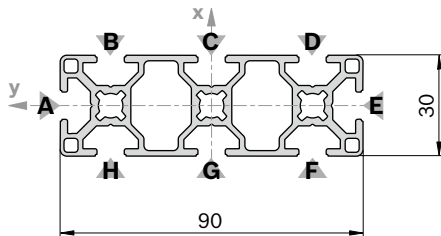
Cover cap	Color	ESD	No.
30x30 (3x)	Signal gray	100	3 842 548 744
30x30 (3x)	Black		3 842 548 745

Material: PP

Cover caps - new color concept

30x90

$A = 7,7 \text{ cm}^2$
 $I_x = 60,7 \text{ cm}^4$
 $I_y = 7,3 \text{ cm}^4$
 $W_x = 13,5 \text{ cm}^3$
 $W_y = 4,9 \text{ cm}^3$
 $m = 2,1 \text{ kg/m}$



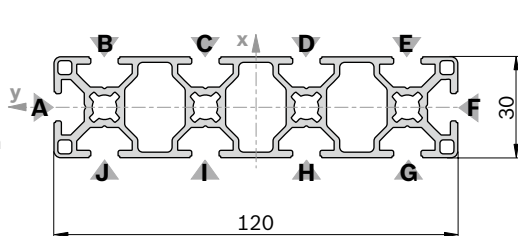
19190

NEW	Cover cap	Color	ESD	No.
	30x30 (3x)	Signal gray	100	3 842 548 744
	30x30 (3x)	Black	20	3 842 548 745
	Material:	PP		

NEW	Cover cap with hole	Color	ESD	No.
	30x30 (3x)	Signal gray	20	3 842 548 774
	30x30 (3x)	Black	20	3 842 548 775
	Material:	PP		

30x120

$A = 9,9 \text{ cm}^2$
 $I_x = 136,3 \text{ cm}^4$
 $I_y = 9,6 \text{ cm}^4$
 $W_x = 22,7 \text{ cm}^3$
 $W_y = 6,4 \text{ cm}^3$
 $m = 2,7 \text{ kg/m}$



19191

NEW	Cover cap	Color	ESD	No.
	30x30 (4x)	Signal gray	100	3 842 548 744
	30x60 (2x)	Signal gray	20	3 842 548 780
	30x30 (4x)	Black	20	3 842 548 745
	30x60 (2x)	Black	20	3 842 548 781
	Material:	PP		

NEW	Cover cap with hole	Color	ESD	No.
	30x30 (4x)	Signal gray	20	3 842 548 774
	30x30 (4x)	Black	20	3 842 548 775
	Material:	PP		

30x90	L (mm)	No.
20 pcs		6070 3 842 541 937

Quick & Easy (p. 2-8; see fold-out section)

30x90	3 842 993 762 / ...
Length L (mm)	50 ... 6000
Standard profile finishes (note minimum length, p. Seite 2-16)	M8 / D7,8 (B,C,D,F,G,H) ¹⁾ / D11 (B,C,D,F,G,H) ¹⁾ / DB11
Customized profile finishes (L _{max} = 5400 mm)	DI / DIS / MT / MTS / MI / MIS / DG ²⁾

1) For the specified slots

2) DG_{max} = 45°; L_{min1} / L_{min2} = 150 / 150 mm

30x120	L (mm)	No.
20 pcs		6070 3 842 541 939

Quick & Easy (p. 2-8; see fold-out section)

30x120	3 842 993 763 / ...
Length L (mm)	50 ... 6000
Standard profile finishes (note minimum length, p. Seite 2-16)	M8 / D7,8 (B,C,D,E, G,H,I,J) ¹⁾ / D11 (B,C,D,E, G,H,I,J) ¹⁾ / DB11
Customized profile finishes (L _{max} = 5400 mm)	DI / DIS / MT / MTS / MI / MIS / DG ²⁾

1) For the specified slots

2) DG_{max} = 45°; L_{min1} / L_{min2} = 150 / 150 mm

Cover caps - new color concept

30x45

A = 4,0 cm²
 I_x = 8,1 cm⁴
 I_y = 3,9 cm⁴
 W_x = 3,9 cm³
 W_y = 2,9 cm³
 m = 1,1 kg/m

19192

30x45	L (mm)	No.
1 pc	50 ... 5600	3 842 992 430 / L
1 pc M8	50 ... 5600	3 842 992 431 / L
18 pcs	5600	3 842 511 704

Quick & Easy (p. 2-8; see fold-out section)

30x45	3 842 993 710 / ...
Length L (mm)	50 ... 5600
Standard profile finishes (note minimum length, p. Seite 2-16)	M8 / D7,8 (A,C) ¹⁾ / D9,8 (B) ¹⁾ / D11 (A,C) ¹⁾ / DB11 / D17 (B) ¹⁾
Customized profile finishes (L _{max} = 5400 mm)	DI / DIS / MT / MTS / MI / MIS / DG ²⁾

¹⁾ For the specified slots

²⁾ DG_{max} = 45°; L_{min1} / L_{min2} = 378 / 456 mm

NEW	Cover cap	Color	ESD	No.
	30x45 (1x)	Signal gray	20	3 842 548 778
	30x45 (1x)	Black	20	3 842 548 779
	Material:	PP		

NEW	Cover cap with hole	Color	ESD	No.
	30x45 (1x)	Black	20	3 842 531 220
	Material:	PA		

60x60 8N

A = 9,8 cm²
 I_x = 39,7 cm⁴
 I_y = 39,7 cm⁴
 W_x = 13,2 cm³
 W_y = 13,2 cm³
 m = 2,6 kg/m

19193

60x60 8N	L (mm)	No.
1 pc	50 ... 6000	3 842 993 033 / L
20 pcs	6070	3 842 535 176

Quick & Easy (p. 2-8; see fold-out section)

60x60 8N	3 842 993 669 / ...
Length L (mm)	50 ... 6000
Standard profile finishes (note minimum length, p. Seite 2-16)	M8 / D7.8 / D11 / DB11
Customized profile finishes (L _{max} = 5400 mm)	DI / DIS / MT / MTS / MI / MIS / DG ²⁾

²⁾ DG_{max} = 45°; L_{min1} / L_{min2} = 404 / 508 mm

NEW	Cover cap	Color	ESD	No.
	60x60 8N (1x)	Signal gray	20	3 842 551 046
	60x60 8N (1x)	Black	20	3 842 551 047
	Material:	PP		

11x20

A = 1,0 cm²
 I_x = 0,5 cm⁴
 I_y = 0,1 cm⁴
 W_x = 0,7 cm³
 W_y = 0,3 cm³
 m = 0,3 kg/m

19194

11x20	L (mm)	No.
1 pc	50 ... 2000	3 842 992 476 / L
10 pcs	2000	3 842 513 581

Quick & Easy (p. 2-8; see fold-out section)

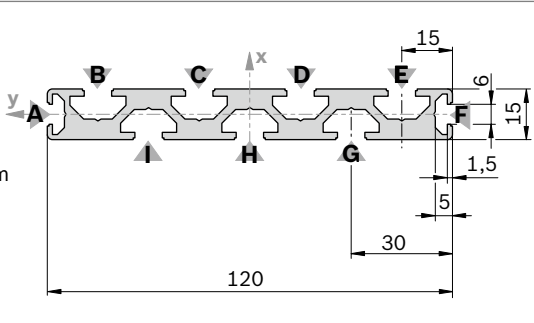
11x20	3 842 993 688 / ...
Length L (mm)	50 ... 2000
Standard profile finishes (note minimum length, p. Seite 2-16)	D7.8 / D11
Customized profile finishes	—

NEW	Cover cap	Color	ESD	No.
	11x20 (1x)	Signal gray	20	3 842 551 044
	11x20 (1x)	Black	20	3 842 551 045
	Material:	PP		

Cover caps - new color concept

15x120

A = 9,0 cm²
 I_x = 110,4 cm⁴
 I_y = 2,2 cm⁴
 W_x = 18,4 cm³
 W_y = 2,7 cm³
 m = 2,4 kg/m



15x120	L (mm)	No.
1 pc	50 ... 3000	3 842 993 078 / L
10 pcs	3000	3 842 537 821

Quick & Easy (p. 2-8; see fold-out section)

15x120	3 842 993 684 / ...
Length L (mm)	80 ... 3000
Standard profile finishes (note minimum length, p. Seite 2-16)	D7,8 (B,C,D,E,G,H,I) ¹⁾ / D11 (B,C,D,E,G,H,I) ¹⁾
Customized profile finishes (L _{max} = 2300 mm)	DI / DIS / MT / MTS / MI / MIS

¹⁾ For the specified slots

Cover cap	Color	ESD	No.
15x120 (1x)	Signal gray	20	3 842 548 768
15x120 (1x)	Black	20	3 842 548 769
Material:	PP		

Cover caps - new color concept

40x30°

A = 6,2 cm²
 I_x = 9,4 cm⁴
 I_y = 11,8 cm⁴
 W_x = 4,7 cm³
 W_y = 5,9 cm³
 m = 1,7 kg/m

19205

40x30°		L (mm)	No.
1 pc		50 ... 6000	3 842 993 195 / L
12 pcs		6070	3 842 529 371

Quick & Easy (p. 2-8; see fold-out section)

40x30°	3 842 993 718 / ...
Length L (mm)	50 ... 6000
Standard profile finishes (note minimum length, p. Seite 2-25)	M12
Customized profile finishes	—

NEW

Cover cap	Color	ESD		No.
40x30° (1x)	Signal gray		20	3 842 551 014
40x30° (1x)	Black		20	3 842 551 015
Material:	PP			

40x45°

A = 6,8 cm²
 I_x = 9,9 cm⁴
 I_y = 16,6 cm⁴
 W_x = 5,0 cm³
 W_y = 8,3 cm³
 m = 1,8 kg/m

19206

40x45°		L (mm)	No.
1 pc		50 ... 6000	3 842 993 197 / L
12 pcs		6070	3 842 529 373

Quick & Easy (p. 2-8; see fold-out section)

40x45°	3 842 993 726 / ...
Length L (mm)	50 ... 6000
Standard profile finishes (note minimum length, p. Seite 2-25)	M12
Customized profile finishes	—

NEW

Cover cap	Color	ESD		No.
45x45° (1x)	Signal gray		20	3 842 551 016
45x45° (1x)	Black		20	3 842 551 017
Material:	PP			

40x60°

A = 6,3 cm²
 I_x = 8,7 cm⁴
 I_y = 13,1 cm⁴
 W_x = 4,3 cm³
 W_y = 6,5 cm³
 m = 1,7 kg/m

19207

40x60°		L (mm)	No.
1 pc		50 ... 6000	3 842 993 198 / L
12 pcs		6070	3 842 529 375

Quick & Easy (p. 2-8; see fold-out section)

40x60°	3 842 993 727 / ...
Length L (mm)	50 ... 6000
Standard profile finishes (note minimum length, p. Seite 2-25)	M12
Customized profile finishes	—

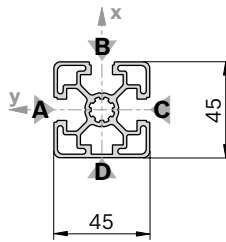
NEW

Cover cap	Color	ESD		No.
40x60° (1x)	Signal gray		20	3 842 551 018
40x60° (1x)	Black		20	3 842 551 019
Material:	PP			

Cover caps - new color concept

45x45L 3N

A = 6,2 cm²
 I_x = 12,6 cm⁴
 I_y = 11,7 cm⁴
 W_x = 5,4 cm³
 W_y = 5,2 cm³
 m = 1,7 kg/m



19426

Cover cap: see 45x45

45x45L 3N		L (mm)	No.
1 pc		50 ... 5600	3 842 992 404 / L
20 pcs		5600	3 842 506 959

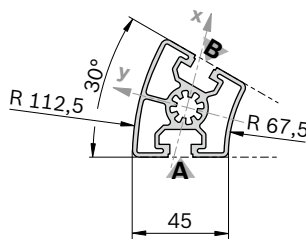
Quick & Easy (p. 2-8; see fold-out section)

45x45L 3N	3 842 993 741 / ...
Length L (mm)	50 ... 5600
Standard profile finishes (note minimum length, p. Seite 2-25)	M12 / D9.8 / D17 / DB17
Customized profile finishes (L _{max} = 4900 mm)	DI / DIS / MT / MTS / MI / MIS / DG ¹⁾

¹⁾ DG_{max} = 45°; L_{min1} / L_{min2} = 378 / 456 mm

45x30°

A = 6,9 cm²
 I_x = 12,7 cm⁴
 I_y = 15,2 cm⁴
 W_x = 5,0 cm³
 W_y = 5,3 cm³
 m = 1,9 kg/m



19427

45x30°		L (mm)	No.
1 pc		50 ... 5600	3 842 993 013 / L
20 pcs		5600	3 842 524 040

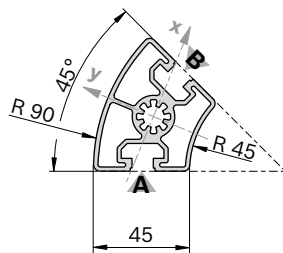
Quick & Easy (p. 2-8; see fold-out section)

45x30°	3 842 993 733 / ...
Length L (mm)	50 ... 5600
Standard profile finishes (note minimum length, p. Seite 2-25)	M12
Customized profile finishes	—

NEW	Cover cap	Color	ESD	No.
	45x30° (1x)	Signal gray	20	3 842 551 020
	45x30° (1x)	Black		3 842 551 021
	Material:	PP		

45x45°

A = 7,6 cm²
 I_x = 13,4 cm⁴
 I_y = 21,4 cm⁴
 W_x = 5,2 cm³
 W_y = 6,4 cm³
 m = 2,0 kg/m



19428

45x45°		L (mm)	No.
1 pc		50 ... 5600	3 842 993 014 / L
20 pcs		5600	3 842 524 043

Quick & Easy (p. 2-8; see fold-out section)

45x45°	3 842 993 735 / ...
Length L (mm)	50 ... 5600
Standard profile finishes (note minimum length, p. Seite 2-25)	M12
Customized profile finishes	—

NEW	Cover cap	Color	ESD	No.
	45x45° (1x)	Signal gray	20	3 842 551 022
	45x45° (1x)	Black		3 842 551 023
	Material:	PP		

Cover caps - new color concept

45x60°

A = 6,8 cm²
 I_x = 11,4 cm⁴
 I_y = 16,9 cm⁴
 W_x = 4,4 cm³
 W_y = 5,2 cm³
 m = 1,8 kg/m

19429

45x60°		L (mm)	No.
1 pc		50 ... 5600	3 842 993 015 / L
20 pcs		5600	3 842 524 046

Quick & Easy (p. 2-8; see fold-out section)

45x60°		3 842 993 744 / ...
Length L (mm)	50 ... 5600	
Standard profile finishes (note minimum length, p. Seite 2-25)	M12	
Customized profile finishes	-	

NEW	Cover cap	Color	ESD	No.
	45x60° (1x)	Signal gray		20 3 842 551 024
	45x60° (1x)	Black		20 3 842 551 025
	Material:	PP		

45x45L R

A = 4,9 cm²
 I_x = 8,6 cm⁴
 I_y = 8,6 cm⁴
 W_x = 5,0 cm³
 W_y = 5,0 cm³
 m = 1,3 kg/m

19430

45x45L R		L (mm)	No.
1 pc		50 ... 5600	3 842 992 897 / L
20 pcs		5600	3 842 517 200

Quick & Easy (p. 2-8; see fold-out section)

45x45L R		3 842 993 742 / ...
Length L (mm)	50 ... 5600	
Standard profile finishes (note minimum length, p. Seite 2-25)	M12 / DB17	
Customized profile finishes	-	

NEW	Cover cap	Color	ESD	No.
	45x45 R (1x)	Signal gray		20 3 842 548 800
	45x45 R (1x)	Black		20 3 842 548 801
	Material:	PP		

45x45 HR

A = 6,6 cm²
 I_x = 11,0 cm⁴
 I_y = 10,7 cm⁴
 W_x = 4,4 cm³
 W_y = 4,8 cm³
 m = 1,8 kg/m

19431

45x45 HR		L (mm)	No.
1 pc		50 ... 5600	3 842 992 945 / L
1 pc	M12	60 ... 5600	3 842 993 001 / L
1 pc	M12 M12	110 ... 5600	3 842 992 999 / L
20 pcs		5600	3 842 525 505

Quick & Easy (p. 2-8; see fold-out section)

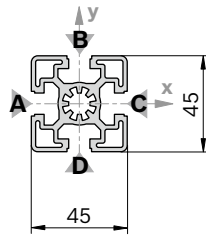
45x45 HR		3 842 993 736 / ...
Length L (mm)	50 ... 5600	
Standard profile finishes (note minimum length, p. Seite 2-25)	M12 / DB17	
Customized profile finishes (L _{max} = 4900 mm)	DI / DIS / MT / MTS / MI / MIS / DG ¹⁾	

¹⁾ DG_{max} = 45°; L_{min1} / L_{min2} = 378 / 456 mm

Cover caps - new color concept

45x45

$A = 7,5 \text{ cm}^2$
 $I_x = 13,8 \text{ cm}^4$
 $I_y = 13,8 \text{ cm}^4$
 $W_x = 6,1 \text{ cm}^3$
 $W_y = 6,1 \text{ cm}^3$
 $m = 2,0 \text{ kg/m}$



19432

Cover cap	Color	ESD	No.
45x45 (1x)	Signal gray	100	3 842 548 752
45x45 (1x)	Black	20	3 842 548 753
Material:	PP		

Cover cap with hole	Color	ESD	No.
45x45 (1x)	Signal gray	20	3 842 548 796
45x45 (1x)	Black	20	3 842 548 797
Material:	PP		

45x45	L (mm)	No.
1 pc	50 ... 6000	3 842 990 520 / L
1 pc M12	60 ... 6000	3 842 990 517 / L
1 pc M12-M12	110 ... 6000	3 842 990 518 / L
1 pc M12-M16	180 ... 6000	3 842 990 519 / L
1 pc M12-D17	90 ... 6000	3 842 990 640 / L
1 pc M16	120 ... 6000	3 842 990 521 / L
1 pc M16-D17	170 ... 6000	3 842 990 642 / L
1 pc D9,8-D9,8	70 ... 6000	3 842 992 969 / L
1 pc D17	60 ... 6000	3 842 990 648 / L
1 pc D17-D17	80 ... 6000	3 842 990 644 / L
1 pc D17-D17V	80 ... 6000	3 842 990 646 / L
20 pcs	6070	3 842 553 614

Quick & Easy (p. 2-8; see fold-out section)

45x45	3 842 993 734 / ...
Length L (mm)	50 ... 6000
Standard profile finishes (note minimum length, p. Seite 2-25)	M12 / M16 / D9,8 / D17 / DB17
Customized profile finishes ($L_{\max} = 5400 \text{ mm}$)	DI / DIS / MT / MTS / MI / MIS / DG ¹⁾

¹⁾ $DG_{\max} = 45^\circ$; $L_{\min1} / L_{\min2} = 378 / 456 \text{ mm}$

Cover caps - new color concept

60x60

A = 14,4 cm²
 $I_x = 52,2 \text{ cm}^4$
 $I_y = 52,2 \text{ cm}^4$
 $W_x = 17,4 \text{ cm}^3$
 $W_y = 17,4 \text{ cm}^3$
 m = 3,9 kg/m

10 10
160
19460

Cover cap	Color	ESD	No.
60x60 (1x)	Signal gray	100	3 842 548 808
60x60 (1x)	Black	100	3 842 548 809
Material:	PP		

Cover cap with hole	Color	ESD	No.
60x60 (1x)	Signal gray	20	3 842 548 810
60x60 (1x)	Black	20	3 842 548 811
Material:	PP		

60x90

A = 25,8 cm²
 $I_x = 214,2 \text{ cm}^4$
 $I_y = 90,5 \text{ cm}^4$
 $W_x = 47,6 \text{ cm}^3$
 $W_y = 30,2 \text{ cm}^3$
 m = 7,0 kg/m

10 10
160
19461

Cover cap	Color	ESD	No.
60x90 (1x)	Signal gray	20	3 842 548 812
60x90 (1x)	Black	20	3 842 548 813
Material:	PP		

Cover cap with hole	Color	ESD	No.
60x90 (1x)	Signal gray	20	3 842 551 050
60x90 (1x)	Black	20	3 842 551 051
Material:	PP		

Note: A quick connector cannot be used

60x60	L (mm)	No.
1 pc	50 ... 5600	3 842 990 350 / L
1 pc M12	60 ... 5600	3 842 990 351 / L
1 pc M12-M12	110 ... 5600	3 842 990 353 / L
1 pc M12-M16	180 ... 5600	3 842 990 354 / L
1 pc M12-D17	90 ... 5600	3 842 990 355 / L
1 pc M16	120 ... 5600	3 842 990 352 / L
1 pc M16-D17	170 ... 5600	3 842 990 373 / L
1 pc D17	50 ... 5600	3 842 990 370 / L
1 pc D17-D17	80 ... 5600	3 842 990 357 / L
1 pc D17-D17V	80 ... 5600	3 842 990 359 / L
20 pcs	5600	3 842 509 185

Quick & Easy (p. 2-8; see fold-out section)

60x60	3 842 993 668 / ...
Length L (mm)	50 ... 5600
Standard profile finishes (note minimum length, p. Seite 2-25)	M12 / M16 / D9,8 / D17 / DB17
Customized profile finishes (L _{max} = 4900 mm)	DI / DIS / MT / MTS / MI / MIS / DG ¹⁾

¹⁾ DG_{max} = 45°; L_{min} = 404 / 508 mm

60x90	L (mm)	No.
1 pc	50 ... 5600	3 842 990 450 / ...
1 pc M16	120 ... 5600	3 842 990 453 / ...
1 pc M16-M16	240 ... 5600	3 842 990 454 / ...
1 pc M16-D17	170 ... 5600	3 842 992 962 / ...
1 pc M16-D17V	170 ... 5600	3 842 992 963 / ...
1 pc M16-F2	170 ... 5600	3 842 990 472 / ...
1 pc D17-D17	80 ... 5600	3 842 990 097 / ...
1 pc D17-D17V	80 ... 5600	3 842 990 099 / ...
1 pc D17V-D17V	90 ... 5600	3 842 990 098 / ...
1 pc F1-F1	110 ... 5600	3 842 990 464 / ...
1 pc F1-F1V	110 ... 5600	3 842 990 481 / ...
1 pc F2-F2	110 ... 5600	3 842 990 478 / ...
10 pcs	5600	3 842 509 183

Profile finishing: D17: in slots B/F, C/E
 D17V: in slots A/D

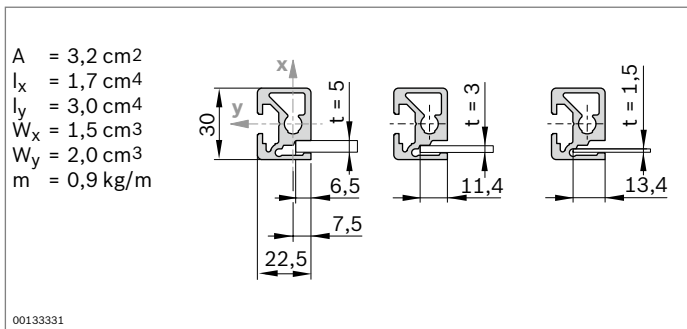
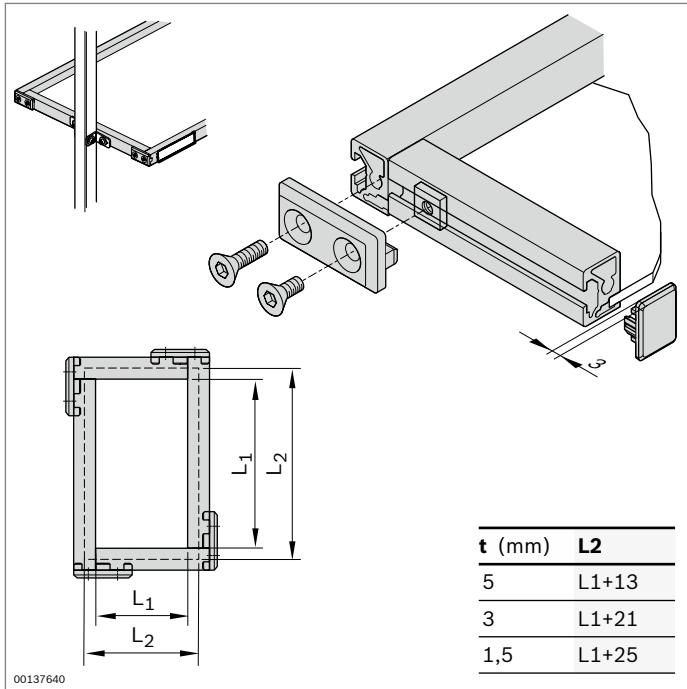
Quick & Easy (p. 2-8; see fold-out section)

60x90	3 842 993 671 / ...
Length L (mm)	50 ... 5600
Standard profile finishes (note minimum length, p. Seite 2-25)	M16 / D9,8 / D17 / DB17 / F1 (A, D) ¹⁾
Customized profile finishes (L _{max} = 4900 mm)	DI / DIS / MT / MTS / MI / MIS / DG ¹⁾

¹⁾ For the specified slots

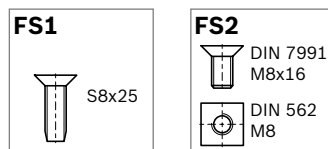
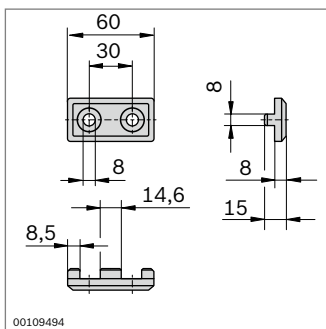
¹⁾ DG_{max} = 45°; L_{min} = 456 / 612 mm

Cover caps - new color concept



NEW	Cover cap	Color	ESD	No.
	22.5x30	Signal gray	20	3 842 551 564
	22.5x30	Black	20	3 842 551 565

Material: PP



Frame profile 22.5x30



- ▶ For inexpensive construction of trays and material shelves
- ▶ Surface elements are mounted under tension so that they do not rattle

Optional accessories:

- ▶ Bracket set M6 (p. 3-28)
- ▶ Swivel fastening (p. 4-10)
- ▶ Lettering clip for 8 mm slot (p. 2-84)
- ▶ Plate (p. 2-60)

Frame profile 22.5x30	Groove	L (mm)	No.
1 pc	8	50 ... 5600	3 842 992 493 / L
20 pcs	8	5600	3 842 515 229

Material: aluminum, anodized

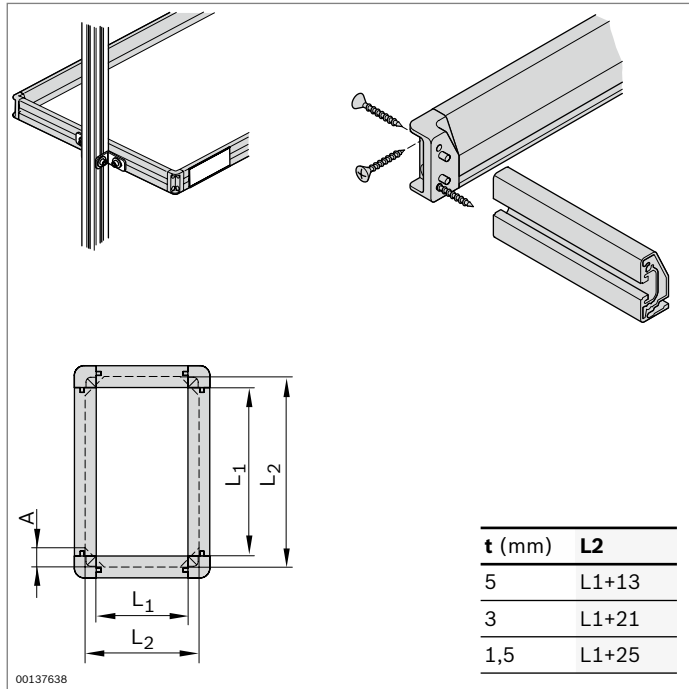
Corner piece for frame profile 22.5x30

- ▶ For the right-angled connection of two 22.5x30 frame profiles
- ▶ Profile machining not required

NEW	Corner piece	Color	ESD	No.	FS
		Signal gray	20	3 842 554 708	FS1, FS2
		Black	20	3 842 554 709	FS1, FS2

Material: PA
 Scope of delivery: incl. fastening material (FS)

Cover caps - new color concept



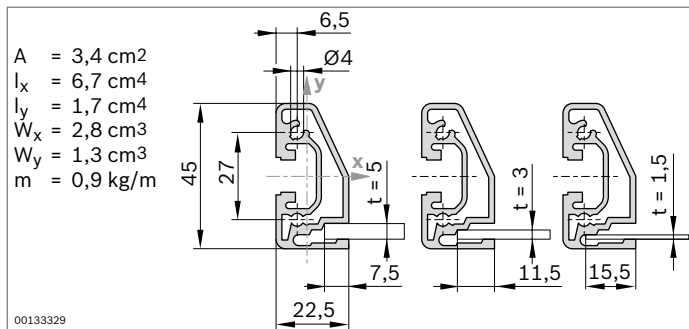
Frame profile 22.5x45



- ▶ For inexpensive construction of trays and material shelves
- ▶ Surface elements are mounted under tension so that they do not rattle

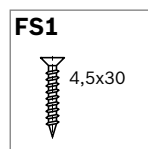
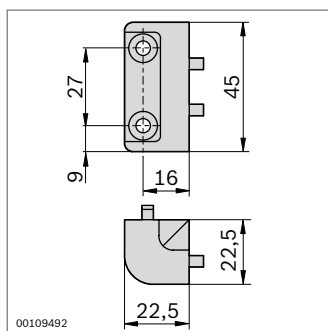
Optional accessories:

- ▶ Bracket set (p. 3-30)
- ▶ Swivel fastening (p. 4-10)
- ▶ Lettering clip for 10 mm slot (p. 2-84)
- ▶ Plate (p. 2-60)



Frame profile 22.5x45	Groove	L (mm)	No.
1 pc	10	50 ... 5600	3 842 992 411 / L
20 pcs	10	5600	3 842 508 102

Material: aluminum, anodized



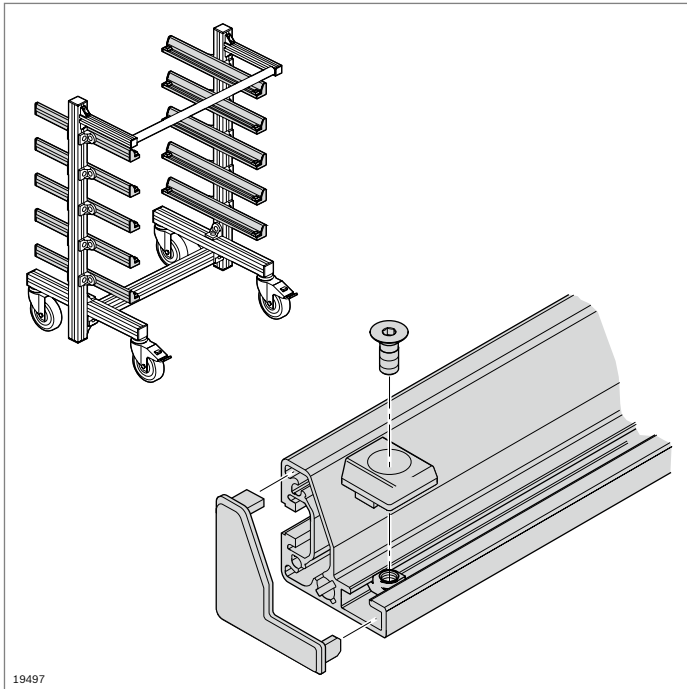
Corner piece for frame profile 22.5x45

- ▶ For the right-angled connection of two 22.5x45 frame profiles
- ▶ Profile machining not required

Corner bracket	ESD	No.	FS
	20	3 842 535 637	4xFS1

Material: diecast zinc
 Scope of delivery: incl. fastening material (FS)

Cover caps - new color concept



19497

$A = 4,5 \text{ cm}^2$
 $I_x = 8,8 \text{ cm}^4$
 $I_y = 6,9 \text{ cm}^4$
 $W_x = 3,2 \text{ cm}^3$
 $W_y = 2,3 \text{ cm}^3$
 $m = 1,2 \text{ kg/m}$

00125101

00125100

FS1

DIN7991
M6x16

Angle profile



- ▶ For supporting containers, plates, or workpiece pallets in flow racks, material shuttles, or hopper stackers

Accessories:

Bracket R40x43 (p. 3-29)

Angle profile	L (mm)	No.
1 pc	50 ... 5600	3 842 992 412 / L
20 pcs	5600	3 842 508 104

Material: aluminum, anodized

Stopper and cover cap

- ▶ The stopper prevents containers from shifting on the angle profile
- ▶ Cover cap to prevent injuries at open profile ends
- ▶ Attractive design

NEW	Stopper, cover cap	Color	ESD		No.	FS
	Set	Signal gray			20	3 842 554 490
Set	Black			20	3 842 554 491	2xFS1

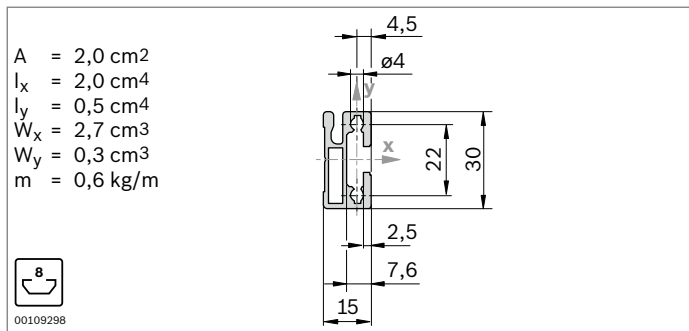
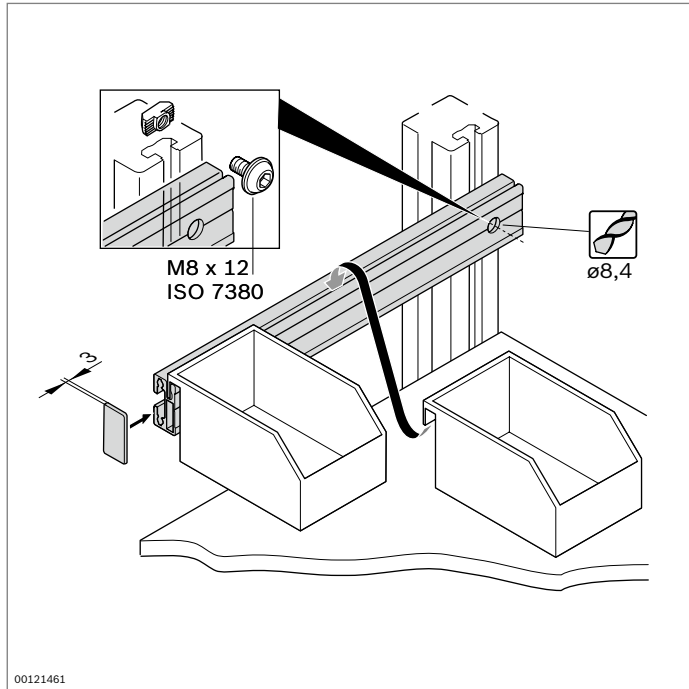
Material: PA

Fastening material: steel, galvanized

Scope of delivery: incl. fastening material (FS)

delivery:

Cover caps - new color concept



Suspension profile



- ▶ For the fast, secure suspension of grab containers, grab ledges, grab trays, and tool holders
- ▶ Profile finishing:
through-hole for screwdriver
- ▶ Matching grab containers in the Manual Production Systems catalog (**3 842 538 280**)

Required accessories:

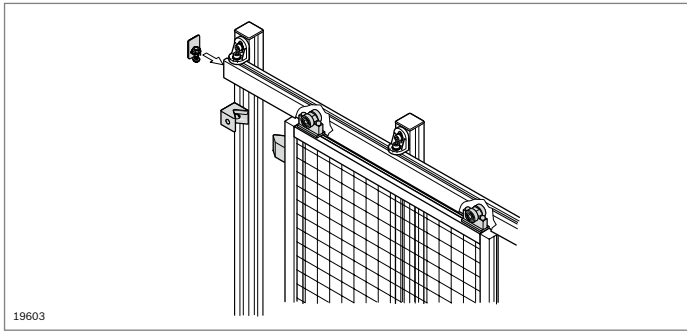
- ▶ Screw
- ▶ T-nut (p. 3-4)

Suspension profile	L (mm)	ESD No.
1 pc	50 ... 3000	3 842 993 411 / L
10 pcs	3000	3 842 537 679
1 pc	50 ... 3000	3 842 993 359 / L
10 pcs	3000	3 842 537 681

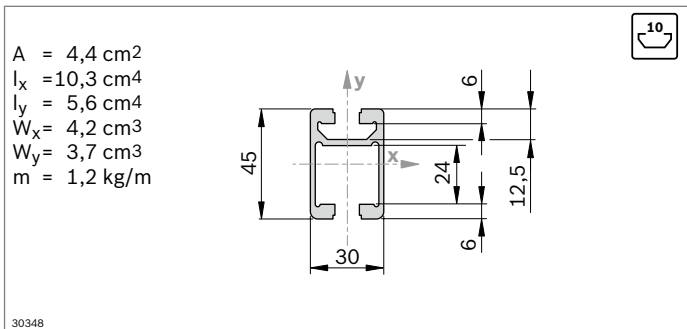
Material: Suspension profile: aluminum, anodized
 ESD suspension profile: aluminum, transparent chromated

Cover cap	Color	ESD	No.
15x30	Signal gray	20	3 842 551 582
15x30	Black	20	3 842 551 583
Material:	PP		

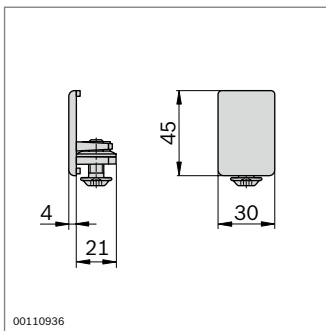
Cover caps - new color concept



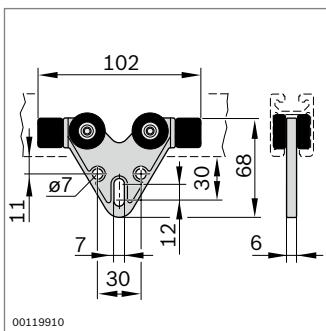
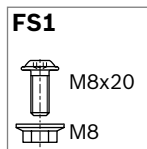
19603



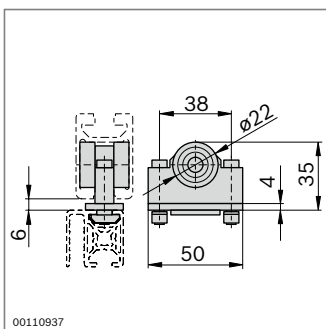
30348



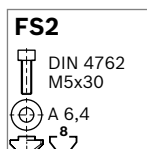
00110936



00119910



00110937



Profile rail, trolley

- ▶ Profile rail and trolley for movable mounting of parts, e.g. for use as a screwdriver hanger at work tables or for EcoSafe sliding doors (p. 10-14)

Accessories:

See page 12-4

Profile rail 30x45C		L (mm)	No.
1 pc		50 ... 5600	3 842 992 946 / L
20 pcs		5600	3 842 523 598

Material: aluminum, anodized

End piece

- ▶ Profile rail end piece for use for trolley as a cover cap with stop
- ▶ With screw protection

NEW	End piece 30x45C	Color	ESD	No.	FS
			Signal gray		20
		Black	⚡	20	3 842 554 711 FS1

Material: End piece: PA
 Fastening material: steel, galvanized

Scope of delivery: incl. fastening material (FS)

Trolley

- ▶ Trolley with ring, e.g. for suspending a spring hook

Trolley for profile rail 30x45C	No.
	3 842 521 510

Material: injection molded plastic

Trolley

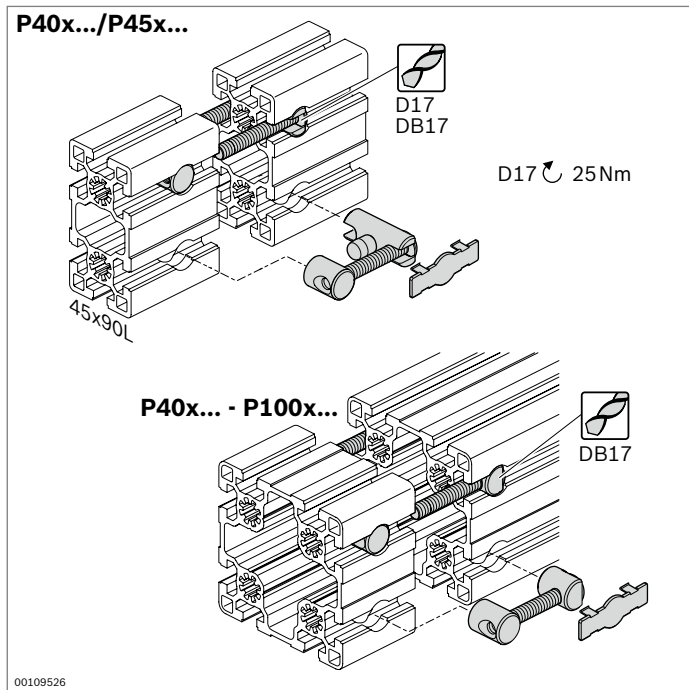
- ▶ Trolley with dust-proof ball bearings for smooth movement
- ▶ For fastening profiles with a 8 mm slot

Trolley	No.	FS
	3 842 524 153	FS2

Material: PA, black
 Scope of delivery: incl. fastening material (FS)

delivery:

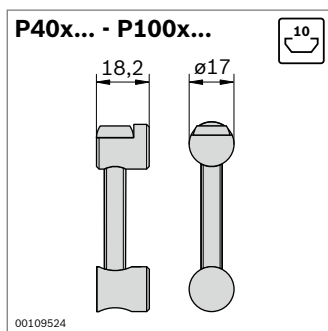
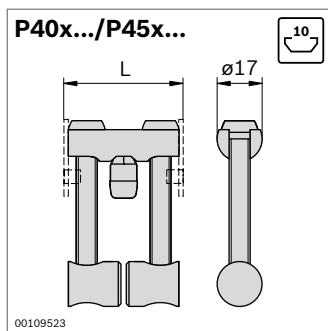
Cover caps - new color concept



Longitudinal end connector



- ▶ For the end-to-end connecting of two profiles
- ▶ Standard profile finishes:
 - through-hole D17 (longitudinal end connector on both sides)
 - blind hole DB17 or through-hole D17 (longitudinal end connector on one side)



NEW	Longitudinal end connector, two-sided	L (mm)	ESD	No.
	Profile 40x...	40	⚡*	3 842 554 442
Profile 45x...	45	⚡*	3 842 554 440	

Material: Longitudinal end connector: screw steel, galvanized
 Centering pin, caps: PP, signal gray
 *Longitudinal end connector creates conductive connection, but the cover caps included in the set are not ESD-compatible.

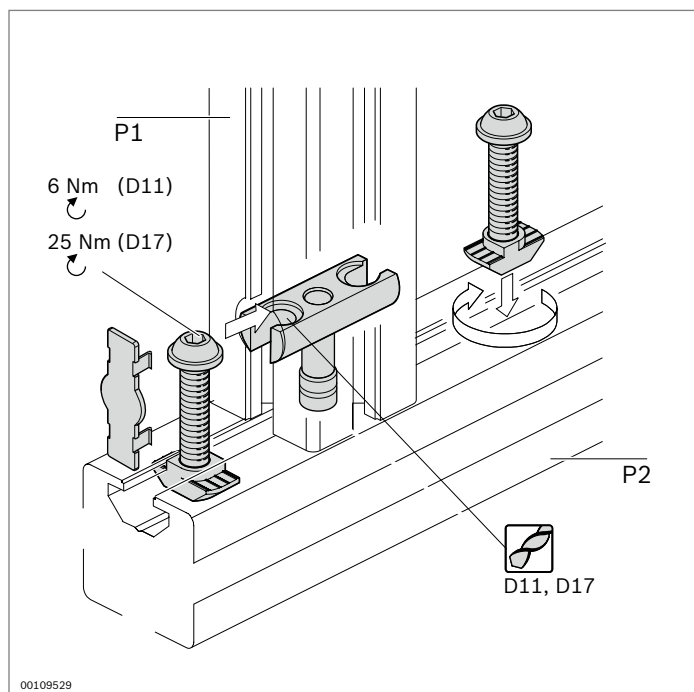
Scope of delivery: incl. 4 x cover cap

NEW	Longitudinal end connector, one-sided	ESD	No.
	Profile 40x... - 100x...	⚡*	3 842 554 444

Material: Longitudinal end connector: screw steel, galvanized
 Centering pin, caps: PP, signal gray
 *Longitudinal end connector creates conductive connection, but the cover caps included in the set are not ESD-compatible.

Scope of delivery: incl. 2 x cover cap

Cover caps - new color concept



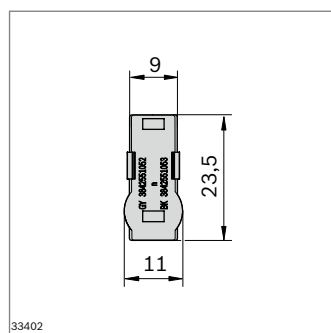
Bolt connector



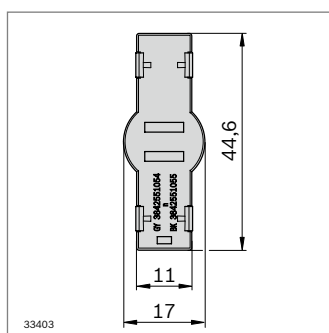
- ▶ For the right-angled connecting of two profiles
- ▶ Suitable for heavy loads, including torsional loads
- ▶ Can be mounted in closed frames
- ▶ Profile finishing: through-hole D11, D17

Technical data (p. 19-7)

Accessories:
Drilling jig (p. 14-2)

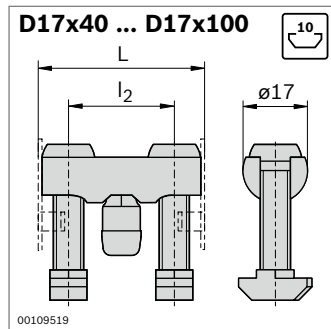
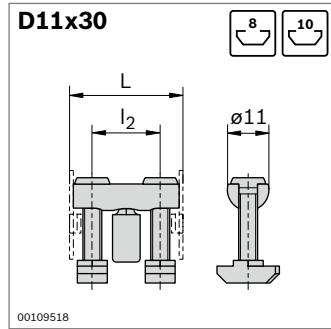


NEW	Cover cap	Color	ESD	No.
	D11 x 23.5	Signal gray	100	3 842 551 052
D11 x 23.5	Black	100	3 842 551 053	
Material:		PP		

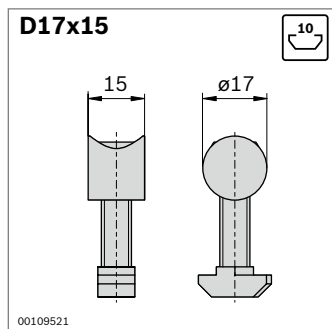
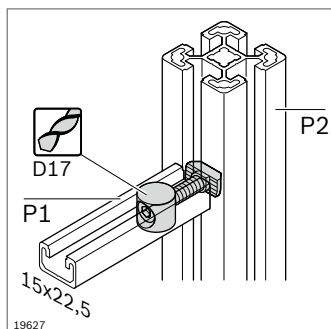
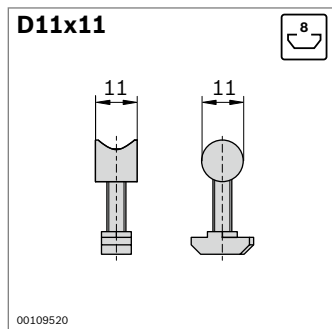
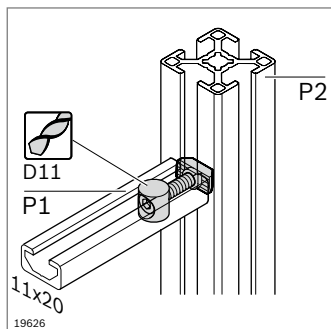


NEW	Cover cap	Color	ESD	No.
	D17 x 44.6	Signal gray	100	3 842 551 054
D17 x 44.6	Black	100	3 842 551 055	
Material:		PP		

Cover caps - new color concept



Size			
30	2500 N	60 Nm	20 Nm
40	4000 N	180 Nm	40 Nm
45	4000 N	180 Nm	60 Nm
50	4000 N	200 Nm	65 Nm



NEW	Bolt connector	P1 / P2	L (mm)	I ₂ (mm)	ESD	No.
	D11x30	8 / 8	30	18		10
	8 / 10	30	18		10	3 842 555 590

Material: Bolt connector: steel, galvanized
 Centering pin, caps: PP, signal gray
 *Bolt connector creates conductive connection, but the cover caps included in the set are not ESD-compatible.

Scope of delivery: incl. 2 x cover caps

NEW	Bolt connector	P1 / P2	L (mm)	I ₂ (mm)	ESD	No.
	D17x40	10 / 10	40	23		10
D17x45	10 / 10	45	28		10	3 842 555 584
D17x50	10 / 10	50	33		10	3 842 555 596
D17x60	10 / 10	60	43		10	3 842 555 586
D17x80	10 / 10	80	63		10	3 842 555 598
D17x90	10 / 10	90	73		10	3 842 555 588
D17x100	10 / 10	100	83		10	3 842 555 592

Material: Bolt connector: steel, galvanized
 Centering pin, caps: PP, signal gray
 *Bolt connector creates conductive connection, but the cover caps included in the set are not ESD-compatible.

Scope of delivery: incl. 2 x cover caps

Size			
60	4000 N	200 Nm	80 Nm
80	5000 N	800 Nm	170 Nm
90	5000 N	800 Nm	200 Nm
100	5000 N	1000 Nm	480 Nm

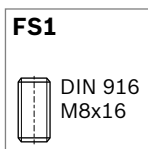
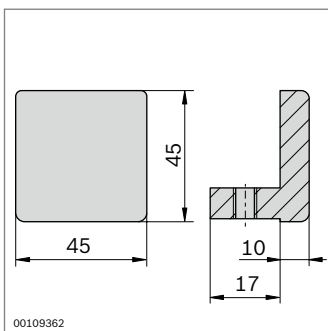
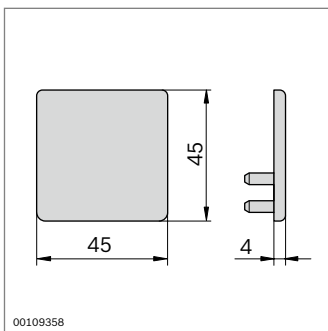
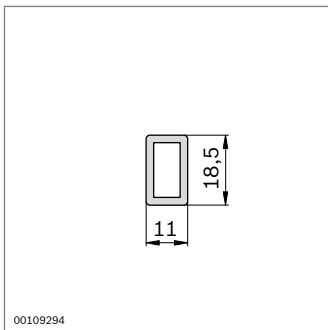
Bolt connector	P1 / P2	ESD	No.
D11x11	8 / 8		10 3 842 535 617

Material: steel, galvanized

Bolt connector	P1 / P2	ESD	No.
D17x15	10 / 10		10 3 842 535 619

Material: steel, galvanized

Cover caps - new color concept



Insertion profile	L (mm)	ESD	No.
	3000	10	3 842 146 902

Material: PA, black

Cover cap

- ▶ As a design element and to prevent injuries

NEW	Cover cap	Color	ESD	No.
			Signal gray	20

Material: PP

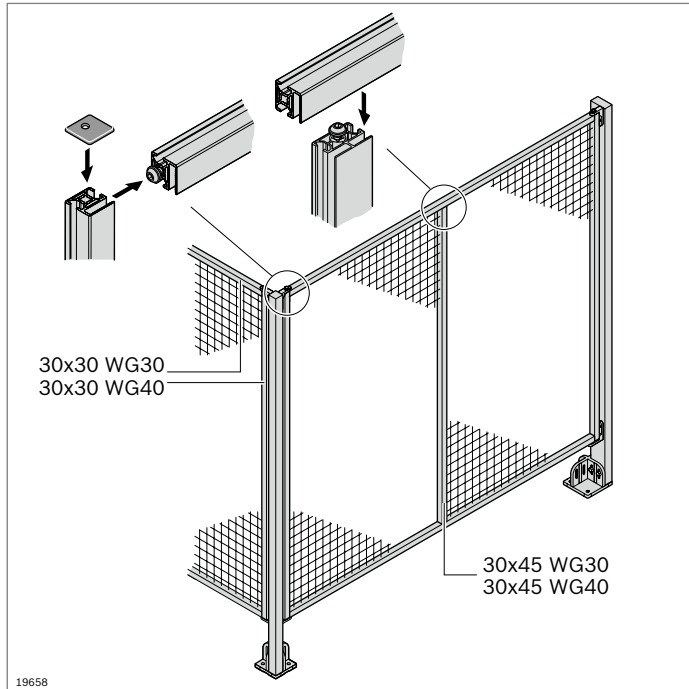
End piece

- ▶ For use as a stop for sliding elements
- ▶ Clamping with setscrew in the profile slot

End piece	ESD	No.	FS
	20	3 842 191 194	FS1

Material: Aluminum, die-cast
 Scope of delivery: incl. fastening material (FS)

Cover caps - new color concept



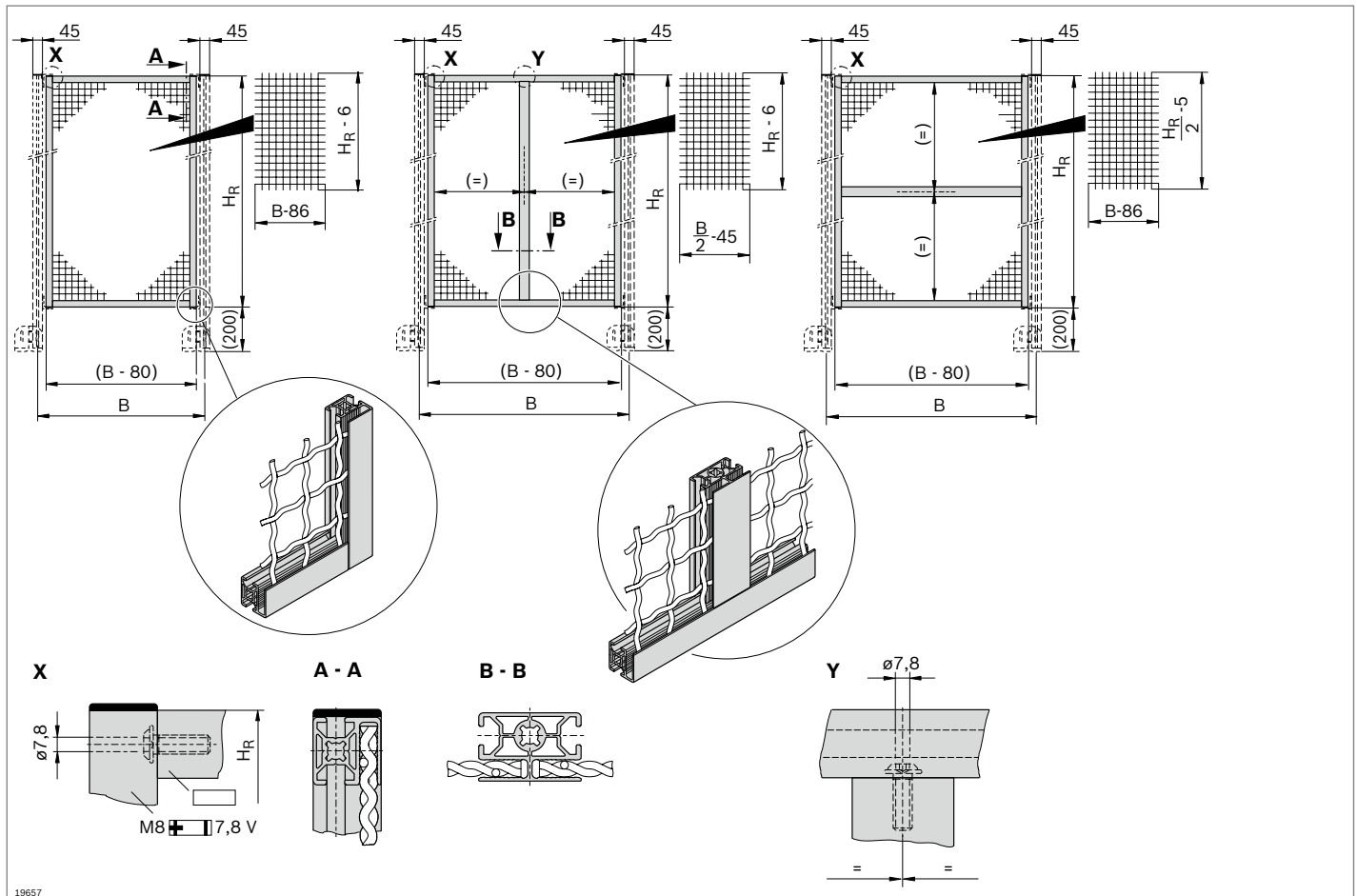
Protective grille profiles



- ▶ For the low-cost construction of protective barriers with woven wire grilles WG30 and WG40
- ▶ Fastening of woven wire grilles: directly in the special profile slot
- ▶ Fastening of surface elements: in the special profile slot using spring clamping elements (accessories)
- ▶ The profiles are connected using a central bolt (profile machining required)
- ▶ Modular dimension “B” relates to 45x45 supports

Required accessories:

- ▶ Central bolt (p. 3-38)
- ▶ Woven wire grille (p. 24)
- ▶ Spring clamping elements (p. 24)



Profiles with closed slots

40x80L 2NVS

A = 10,6 cm²
 I_x = 67,8 cm⁴
 I_y = 19,0 cm⁴
 W_x = 17,0 cm³
 W_y = 9,5 cm³
 m = 2,9 kg/m

33093

Cover cap: See 40x40

40x80L 2N

A = 10,9 cm²
 I_x = 66,6 cm⁴
 I_y = 20,8 cm⁴
 W_x = 16,6 cm³
 W_y = 10,4 cm³
 m = 2,9 kg/m

33094

Cover cap: See 40x40

80x80L 4N

A = 19,3 cm²
 I_x = 142,5 cm⁴
 I_y = 142,5 cm⁴
 W_x = 35,6 cm³
 W_y = 35,6 cm³
 m = 5,2 kg/m

33095

Cover cap	Color	ESD	No.
80x80 (1x)	Signal gray		20 3 842 548 750
80x80 (1x)	Black		20 3 842 548 751
Material:	PP		

40x80 L 2NVS	L (mm)	No.
12 pcs		6070 3 842 555 649

Quick & Easy (p. 2-8; see fold-out section)

40x80 L 2NVS	3 842 993 767 / ...
Length L (mm)	50 ... 6000
Standard profile finishes (note minimum length, p. <?>)	M12 / D9,8 / D17 / DB17
Customized profile finishes (L _{max} = 5400 mm)	DI / DIS / MT / MTS / MI / MIS / DG ¹⁾

¹⁾ DG_{max} = 45°; L_{min1} / L_{min2} = 439 / 578 mm

40x80L 2N	L (mm)	No.
12 pcs		6070 3 842 555 650

Quick & Easy (p. 2-8; see fold-out section)

40x80L 2N	3 842 993 768 / ...
Length L (mm)	50 ... 6000
Standard profile finishes (note minimum length, p. <?>)	M12 / D9,8 / D17 / DB17
Customized profile finishes (L _{max} = 5400 mm)	DI / DIS / MT / MTS / MI / MIS / DG ¹⁾

¹⁾ DG_{max} = 45°; L_{min1} / L_{min2} = 439 / 578 mm

80x80L 4N	L (mm)	No.
6 pcs		6070 3 842 555 651

Quick & Easy (p. 2-8; see fold-out section)

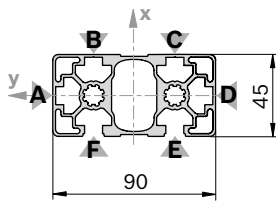
80x80L 4N	3 842 993 769 / ...
Length L (mm)	50 ... 6000
Standard profile finishes (note minimum length, p. <?>)	M12 / D9,8 / D17 / DB17
Customized profile finishes (L _{max} = 5400 mm)	DI / DIS / MT / MTS / MI / MIS / DG ¹⁾

¹⁾ DG_{max} = 45°; L_{min1} / L_{min2} = 439 / 578 mm



Profiles with closed slots

45x90L 2NVS

$A = 12,1 \text{ cm}^2$
 $I_x = 25,9 \text{ cm}^4$
 $I_y = 90,6 \text{ cm}^4$
 $W_x = 5,7 \text{ cm}^3$
 $W_y = 40,3 \text{ cm}^3$
 $m = 3,3 \text{ kg/m}$





33096



45x90L 2NVS		L (mm)	No.
 12 pcs		6070	3 842 555 652

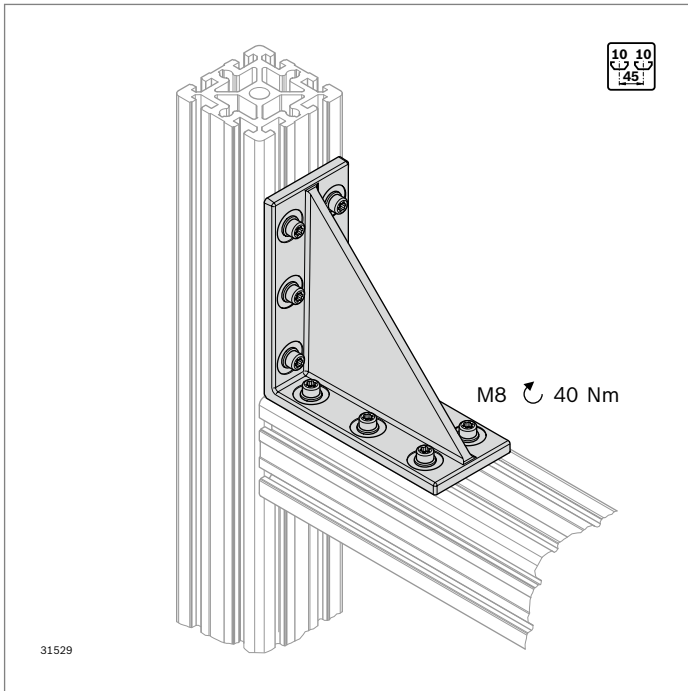
Quick & Easy (p. 2-8; see fold-out section)

45x90L 2NVS	3 842 993 770 / ...
Length L (mm)	50 ... 6000
Standard profile finishes (note minimum length, p. <?>)	M12 / D9,8 / D17 / DB17
Customized profile finishes ($L_{\max} = 5400 \text{ mm}$)	DI / DIS / MT / MTS / MI / MIS / DG ¹⁾

¹⁾ $DG_{\max} = 45^\circ$; $L_{\min 1} / L_{\min 2} = 456 / 612 \text{ mm}$

NEW	Cover cap	Color	ESD		No.
	45x90 (1x)	Signal gray		20	3 842 548 756
	45x90 (1x)	Black		20	3 842 548 757
	Material:	PP			

NEW	Cover cap with hole	Color	ESD		No.
	45x90 (1x)	Signal gray		20	3 842 548 804
	45x90 (1x)	Black		20	3 842 548 805
	Material:	PP			

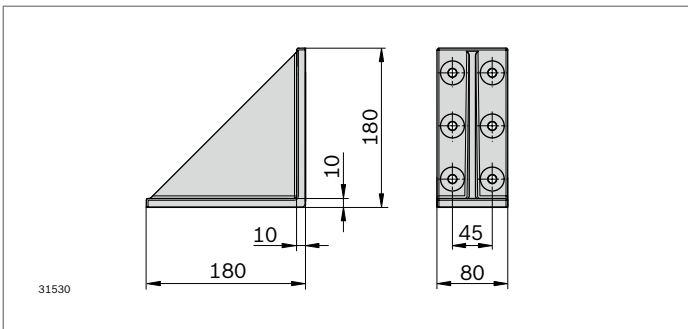


Heavy-duty connector 180x180 dynamic load



- ▶ Heavy-duty connector for reliable absorption of high forces
- ▶ Can be used for both static and dynamic forces
- ▶ Connection possible in any position
- ▶ Profile finishing: not required
- ▶ Calculation program for static and dynamic forces included in MTpro planning software
- ▶ Focus profile: 90x90, 90x180, 90x360

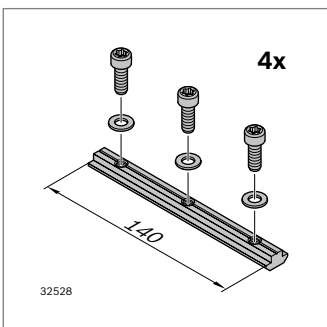
Required accessories:
 Mounting kit



180/180	Groove	ESD	No.
	10		3 842 555 616

Material: Galvanized cast iron
 Scope of delivery: Bracket

Type				
180/180	30000 N	5600 Nm	5600 Nm	1400 Nm



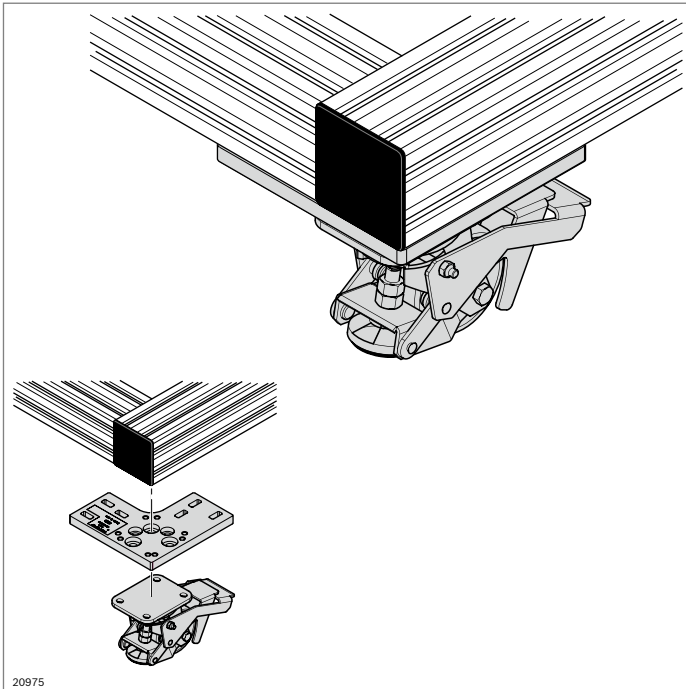
Mounting kit

- ▶ For connecting a heavy-duty angle to a profile
- ▶ Set consists of 4 sliding blocks and 12 screws with washers

Mounting kit	Groove	M	ESD	No.
	10	8		Set 3 842 548 955

Material: Screws: steel, galvanized
 Sliding block: steel, galvanized
 Scope of delivery: 4 x sliding blocks, 12 x washers,
 12 x screws M8 10.9 microencapsulated

Groove	
10 (M8)	6000 ... 18000 N



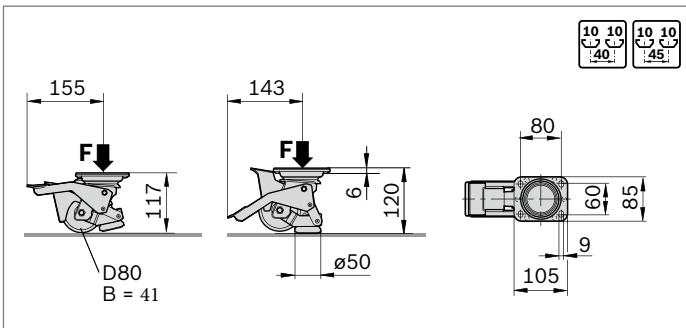
Lifting wheel - rotatable pedal



- ▶ Steerable lifting wheel
- ▶ The wheel turns into a stable base simply by engaging the stop lever
- ▶ The locking lever moves with the wheel.
- ▶ The locking lever can be moved under the frame if necessary.

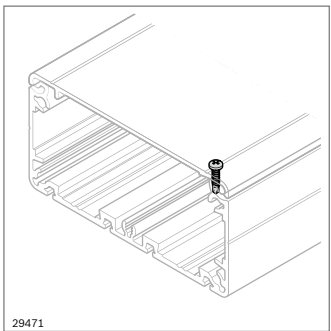
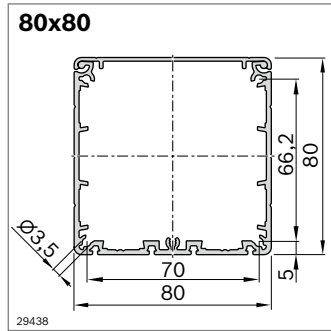
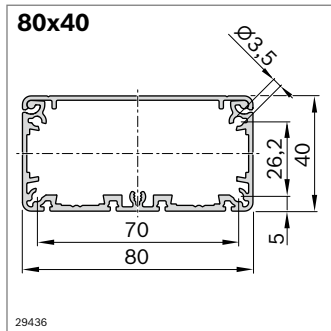
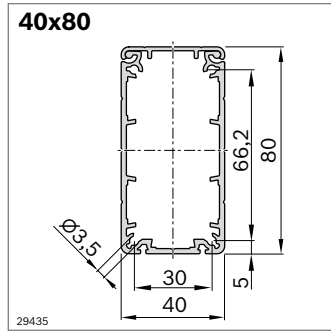
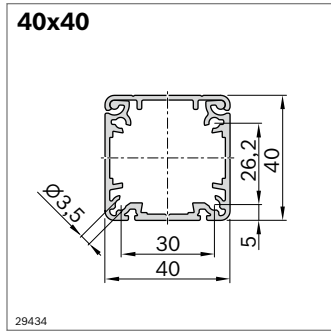
Required accessories:

- ▶ screw M8x20 (ISO4762), washer A8.4 (DIN EN ISO 7090), locking washer 8 FSt for attaching to the screw-on plate
- ▶ Screw-on plate 3 842 553 967 (p. 6-22)
- ▶ T-bolt, flange nut, central bolt M12 or S12 for fastening the screw-on plate to the profile frame



Lifting wheel	F (N)	No.
Rotatable pedal	2000	3 842 555 610

Material: Wheel: PA6, natural white
 Housing: steel, galvanized
 Base plate: PA; rubber black



Aluminum cable duct

- ▶ Cable duct pre-assembled (cover and bearing/support structure)
- ▶ Usable length 3000 mm (delivered in 3100 mm lengths)
- ▶ Cover can be secured with a self-tapping screw

Optional accessories: self-tapping screw **3 842 552 267**

Cable duct with AL cover plate	ESD	L (mm)	No.
1 pc 40x40	⚡	80 3000	3 842 996 356
12 pcs 40x40	⚡	3000	3 842 552 268
1 pc 40x80	⚡	80 3000	3 842 996 357
12 pcs 40x80	⚡	3000	3 842 552 270
1 pc 80x40	⚡	80 3000	3 842 996 358
12 pcs 80x40	⚡	3000	3 842 552 273
1 pc 80x80	⚡	80 3000	3 842 996 359
6 pcs 80x80	⚡	3000	3 842 552 275

Material: aluminum, anodized

Self-tapping screw

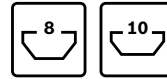
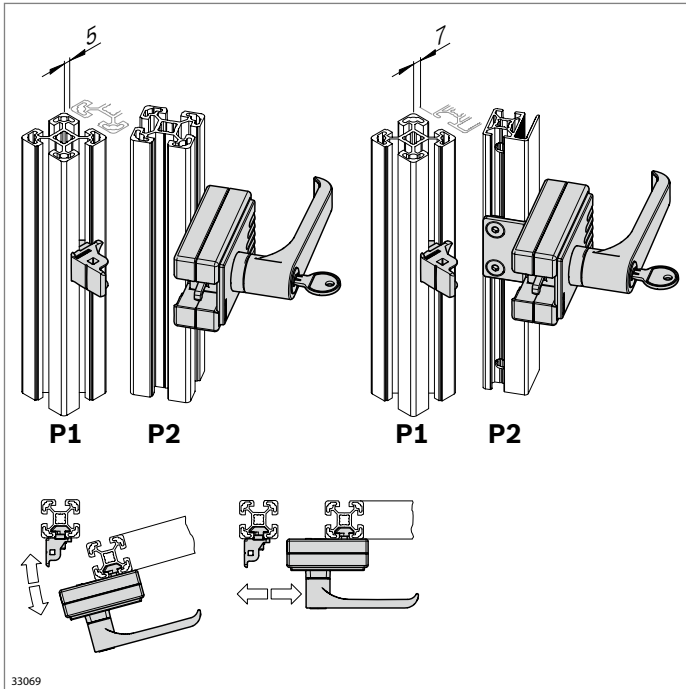
- ▶ For securing the cover plate on the cable duct
- ▶ Produces conductive connection between the cover plate and cable duct

Self-tapping screw	ESD	No.
Ze. Pi. 3.5x9.5	⚡	10 3 842 552 267

Material: steel, galvanized

available from May 2017

Door lock “multi-use” for swing and sliding doors



- ▶ For doors which open to the right or left
- ▶ For numerous profile combinations
- ▶ “Standard locking” variant with random key selection (each lock has a different key)
- ▶ “Uniform locking” variant always has the same key
- ▶ Version with door handle or as two-way lock
- ▶ Covered fastening screws
- ▶ Differing gap measurements for doors <400 mm with modular dimensions up to 45 mm and <600 mm for modular dimensions of 50 mm (see assembly instructions)
- ▶ Without profile finishing

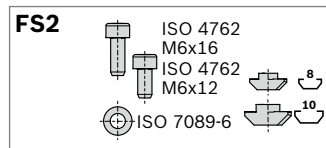
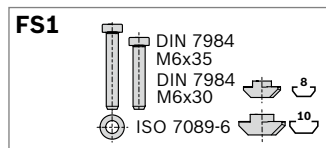
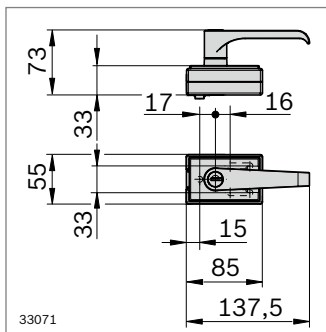
Optional accessories: Adapter plate for connecting to a WG40 or WG30 woven wire grille profile (see chapter EcoSafe)

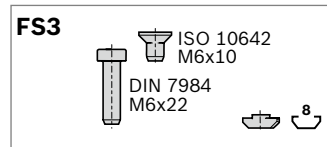
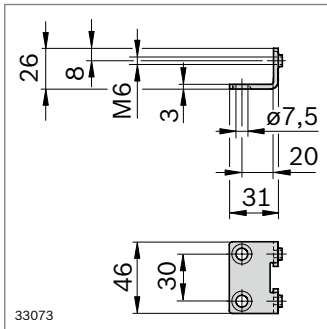
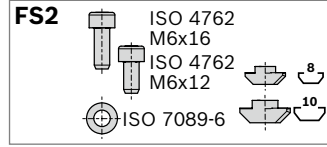
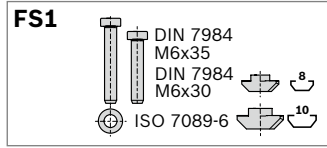
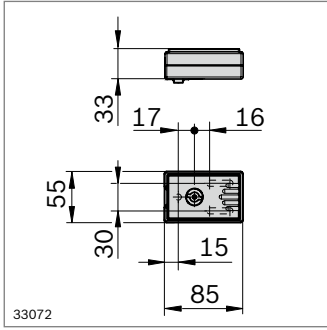
P1	P2	P2	P2	P2	P2
30	WG30/40	30	-	-	-
40	WG30/40	30	40	-	-
45	WG30/40	30	40	45	-
50	WG30/40	30	40	45	50
60	WG30/40	30	40	-	-

Door lock “multi-use” for swing and sliding doors	No.	FS
Standard locking	3 842 548 971	2xFS1, FS2
Uniform locking	3 842 548 970	2xFS1, FS2

Material: Housing: Diecast zinc, door handle: PA6, black Cover; PP signal gray (RAL7004); fastening material: Steel, galvanized

Scope of delivery: incl. 3 keys, fastening material (FS)





Door lock “multi-use” for swing and sliding doors	No.	FS
---	-----	----

Two-way lock	3 842 548 965	2xFS1, FS2
---------------------	----------------------	------------

Material: Housing: Diecast zinc, door handle: PA6 black
Cover: PP signal gray (RAL7004); fastening material: Steel, galvanized

Scope of delivery: incl. 1x two-way key, fastening material

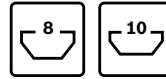
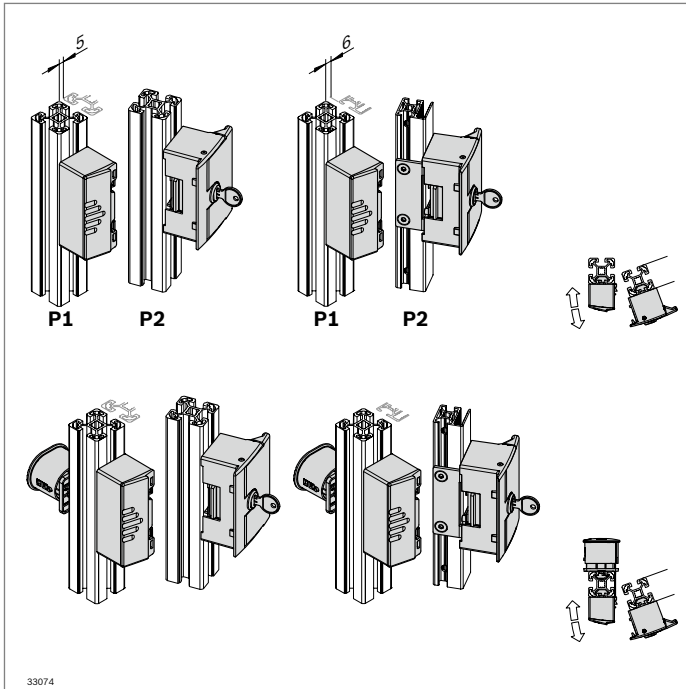
Adapter plate	No.	FS
---------------	-----	----

EcoSafe	3 842 548 969	2xFS3
----------------	----------------------	-------

Material: Steel, galvanized
Scope of delivery: Incl. fastening material

available from May 2017

Door lock “compact” for swing doors



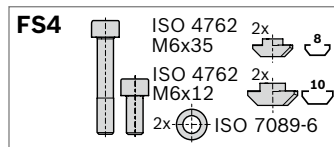
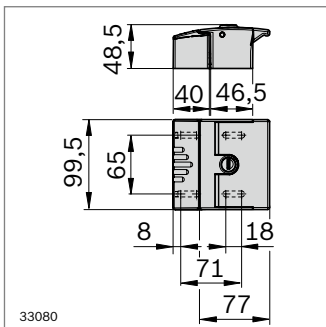
- ▶ For doors which open to the right or left
- ▶ For numerous profile combinations
- ▶ “Standard locking” variant with random key selection (each lock has a different key)
- ▶ “Uniform locking” variant always has the same key
- ▶ Covered fastening screws
- ▶ Installation of an emergency opening mechanism for unlocking from inside in emergency possible (Gap measurements according to assembly instructions 3842554192)
- ▶ Without profile finishing

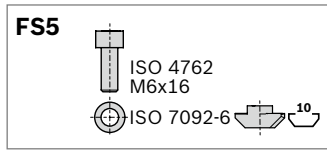
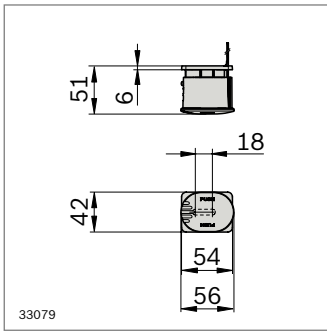
Optional accessories: Adapter plate for connecting to a WG40 or WG30 woven wire grille profile (see chapter EcoSafe), emergency opening mechanism

P1	P2	P2	P2	P2	P2
30	WG30/40	30	-	-	-
40	WG30/40	30	40	-	-
45	WG30/40	30	40	45	-
50	WG30/40	30	40	45	50
60	WG30/40	-	40	45	50

Door lock “compact” for swing doors	No.	FS
Standard locking	3 842 553 640	2xFS4
Uniform locking	3 842 553 639	2xFS4

Material: Housing: Die-cast aluminum, cover: PP signal gray (RAL7004); fastening material: Steel, galvanized
 Scope of delivery: incl. 2 keys, fastening material





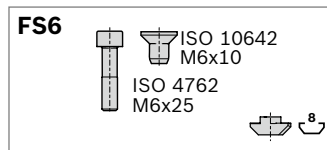
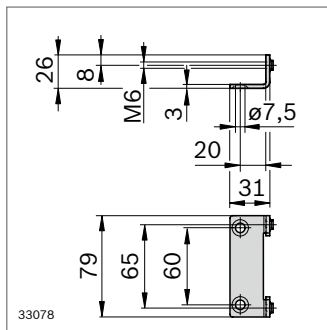
- For emergency opening of the door lock “compact” from the inside in its locked state

Emergency unlocking	No.	FS
---------------------	-----	----

Compact	3 842 554 134	FS5
----------------	----------------------	-----

Material: galvanized steel, button: PA6 red (RAL3020)
 fastening material: galvanized steel

Scope of delivery: Incl. fastening material



Adapter plate	No.	FS
---------------	-----	----

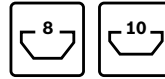
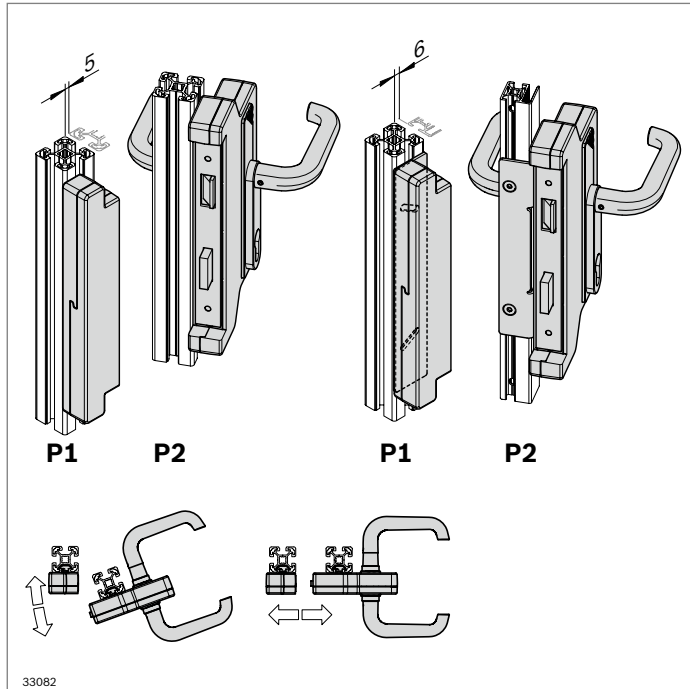
EcoSafe	3 842 554 136	2xFS6
----------------	----------------------	-------

Material: galvanized steel, fastening material: galvanized steel

Scope of delivery: Incl. fastening material

available from May 2017

Chamber lock for swing and sliding doors



- ▶ For doors which open to the right or left
- ▶ For numerous profile combinations
- ▶ For installation of a standard lock cylinder (not included in the scope of delivery)
- ▶ Version with door handle, can be opened from inside and outside
- ▶ Without profile finishing
- ▶ Covered fastening screws

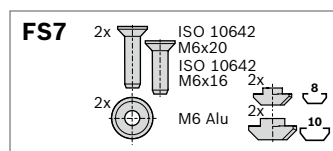
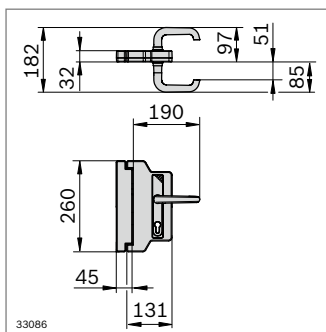
Optional accessories: adapter plate for connecting to a WG40 or WG30 woven wire grille profile (see chapter EcoSafe), lock cylinder

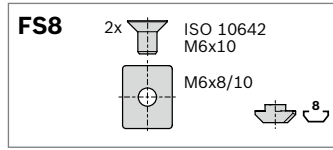
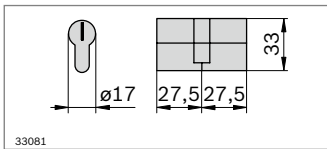
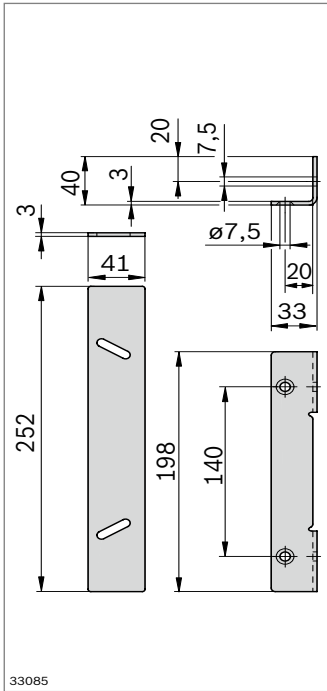
P1	P2	P2	P2	P2	P2
30	WG30/40	30	-	-	-
40	WG30/40	30	40	-	-
45	WG30/40	30	40	45	-
50	WG30/40	30	40	45	50
60	WG30/40	30	40	45	50

Chamber lock	No.	FS
Sliding door	3 842 554 151	2xFS7
Swing door	3 842 554 150	2xFS7

Material: housing PP signal gray (RAL7004); door handle: Anodized aluminum; fastening material: galvanized steel, washer: aluminum

Scope of delivery: incl. fastening material





Adapter plate	No.	FS
Chamber lock	3 842 554 152	2xFS8

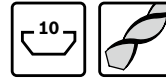
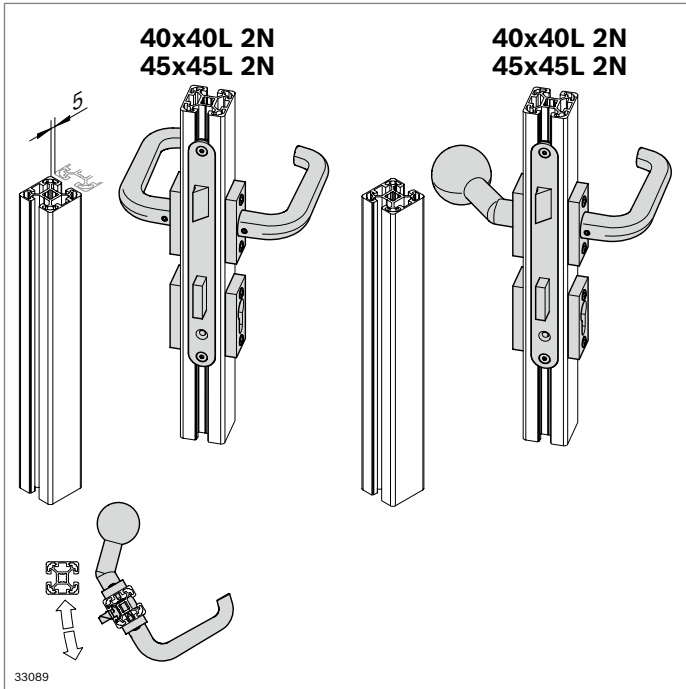
Material: galvanized steel, fastening material: Steel, galvanized

Scope of delivery: incl. fastening material

► Lock cylinder 27.5/27.5

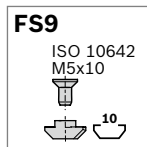
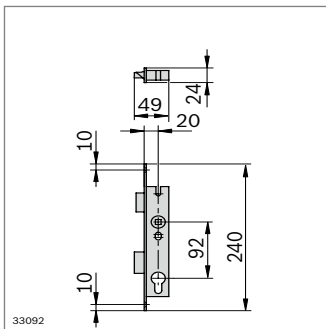
available from May 2017

Mortise lock for swing doors



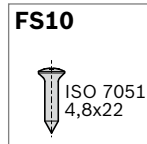
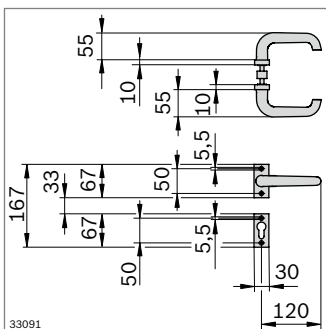
- ▶ For installation in 40x40L 2N or 45x45L 2N profiles
- ▶ For installation of a standard lock cylinder (not included in the scope of delivery)
- ▶ Robust design
- ▶ Door handle in the variants: Handle/handle, handle/knob
- ▶ Milled/drilled profile finishing
- ▶ Profile finishing can be ordered over Quick&Easy

Accessories: Handle/handle, handle/knob, lock cylinder



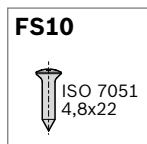
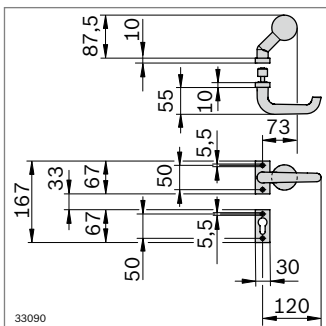
Mortise lock	No.	FS
	3 842 553 638	2xFS9

Material: Fastening steel
 material: Steel, galvanized
 Scope of delivery: Incl. fastening material



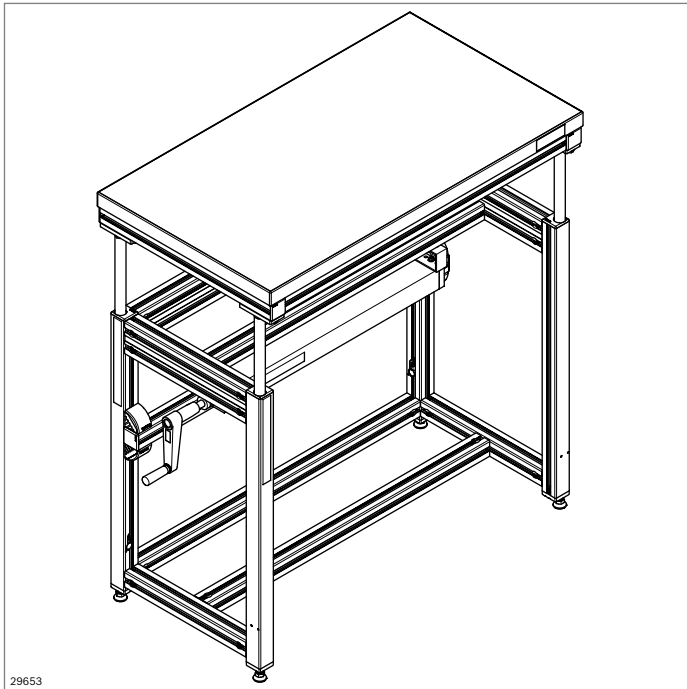
Handle/handle	No.	FS
	3 842 553 631	8x FS10

Material: anodized aluminum
 Fastening material: Galvanized steel
 Scope of delivery: Incl. fastening material



Handle/knob	No.	FS
	3 842 553 630	8x FS10

Material: anodized aluminum
 Fastening material: Galvanized steel
 Scope of delivery: Incl. fastening material



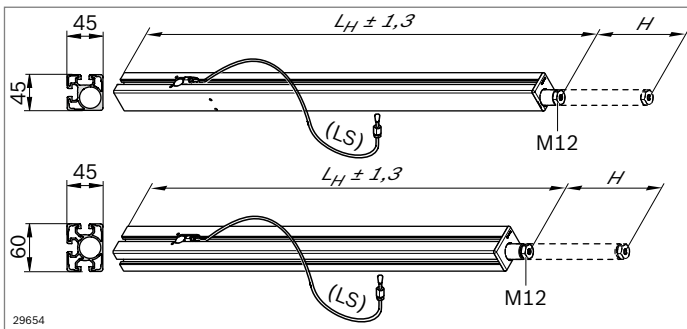
Components for height adjustment 45x45 and 45x60



- ▶ Infinitely variable hydraulic height adjustment with a crank handle, e.g. for work benches, tables or frames
- ▶ Max. load bearing capacity per lifting module 800 N
- ▶ Maximum lift 400 mm
- ▶ Simplest mounting system due to use of hydraulic hoses with quick-release couplings
- ▶ Variable or fixed lengths for lifting module and hoses
- ▶ Can be used for the implementation of EN 1570-1, taking other measures for integration into products into consideration.

Optional accessories:

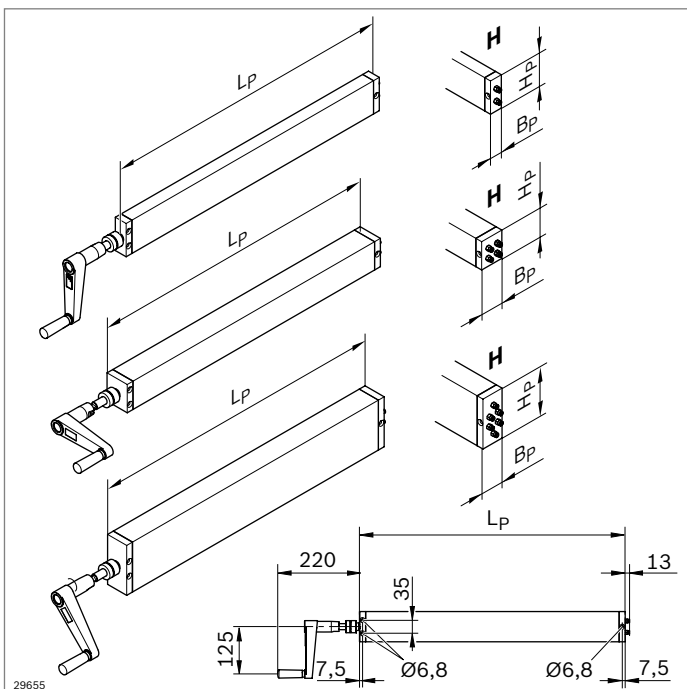
- ▶ Connection elements, e.g. bracket (see p. 3-17),
- ▶ Leveling foot, e.g. 3 842 529 025 (see p. 6-4)



Lifting module	L _H (mm)	L _S (mm)	No.
45x45 Variable	720 ... 2000 ¹⁾	1000 ... 4000 ²⁾	Set 3 842 994 000/L_H/L_S
Standard	770	2500	Set 3 842 552 131/L_H/L_S
45x60 Variable	720 ... 2000 ¹⁾	1000 ... 4000 ²⁾	Set 3 842 994 001/L_H/L_S
Standard	770	2500	Set 3 842 552 132/L_H/L_S

¹⁾ Lifting module length (L_H) can be ordered in 10 mm increments
²⁾ Hose length (L_S) can be ordered in 1000, 1500, 2000, 2500, 3000, 4000 mm

Scope of delivery: 2 x lifting module with built-in hydraulic cylinder incl. hose (min. bend radius 50 mm) and quick-release coupling; 2 x cover cap
 Condition on delivery: assembled, filled with food-safe HPL oil of class NSF H1



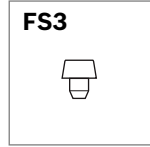
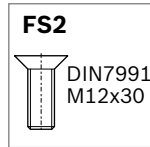
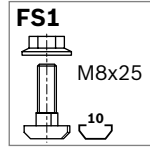
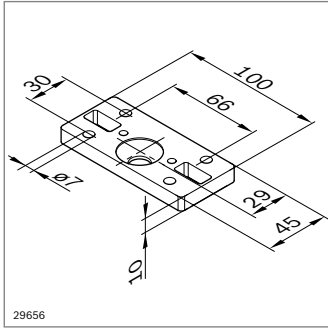
Pump and drive

- ▶ Synchronous activation of 2, 4 or 6 lifting modules
- ▶ Can be mounted in any position
- ▶ Incl. friction clutch for load control
- ▶ 4 mm stroke per rotation
- ▶ Crank handle, retractable

Pump	Max. Load (N)	Amount Lift module	L _p (mm)	W _p (mm)	H _p (mm)	No.
	1600	2	702.5±2	30	80	3 842 552 133
	3200	4	702.5±2	56	68	3 842 552 134
	3200	6	714.5±2	60	120	3 842 552 135

Scope of delivery: pump incl. hand crank and quick-release coupling

Condition on delivery: assembled, filled with food-safe HPL oil of class NSF H1



Connecting plate

- For mounting the lifting module on a foot, profile or table top

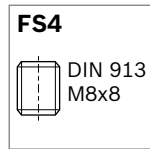
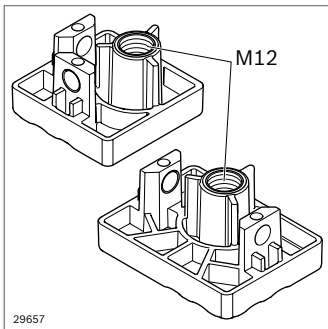
Connecting plate	No.	FS
Set	3 842 552 176	4xFS1, 2xFS2, 4xFS3

Material: aluminum
 Fastening material: Steel; galvanized, transparent chromated

Scope of delivery: 2 x connecting plate; incl. fastening material (FS)

Adapter plate

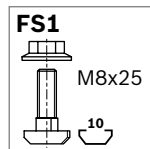
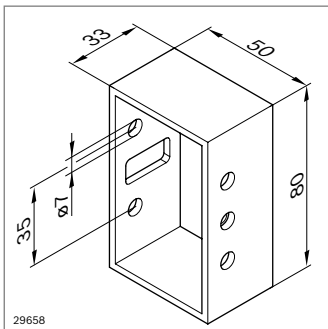
- For mounting a leveling foot (e.g. 3 842 529 025) to the lifting module



Adapter plate	No.	FS
45x45	Set 3 842 552 174	4xFS4
45x60	Set 3 842 552 175	4xFS4

Material: diecast zinc
 Fastening material: Steel; galvanized, transparent chromated

Scope of delivery: 2 x adapter plate; incl. fastening material (FS)



Connection adapter

- For mounting the pump on a profile or a table top
- Independent of the pump size, mounting requires 3 countersunk screws (ISO 10642, M6, 8.8) in 40 mm (pump for 2 lifting modules) or 70 mm (pump for 4 or 6 lifting modules)

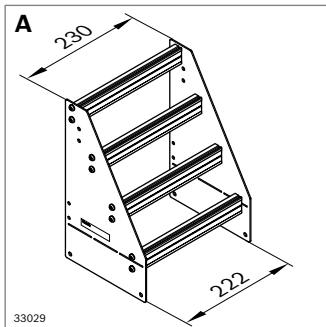
Connection adapter	No.	FS
Set	3 842 552 177	2xFS1

Material: aluminum
 Fastening material: Steel; galvanized, transparent chromated

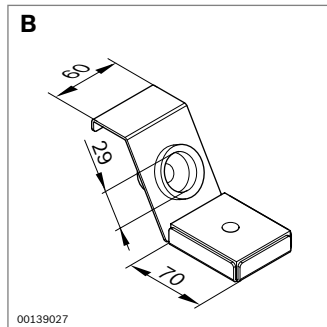
Scope of delivery: 2 x connection adapter; incl. fastening material (FS)



00120954



33029



00139027

Tool shelf Tool holder

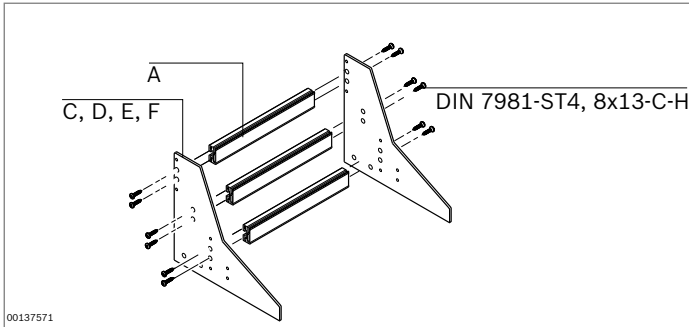


- ▶ Tool shelf available with a fixed width of 230 mm
- ▶ For ergonomic and handy positioning of tools at the workstation
- ▶ Tool holder (B) is hung in the tool shelf (A).
- ▶ Customized assembly of individual components: see “Components” chapter (see p. 160)

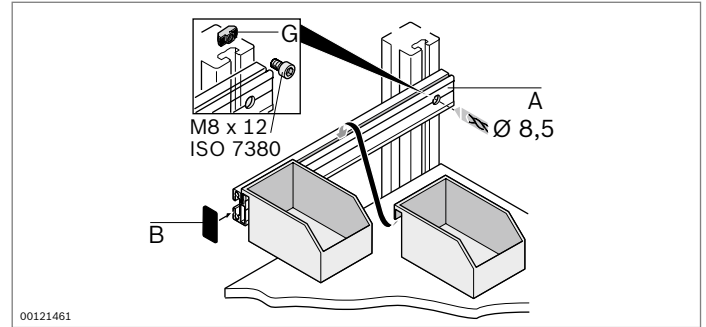
Material B: VA

	ESD	No.
A Tool shelf (without tool holder)		3 842 554 909
B Tool holder for soldering irons		3 842 514 524

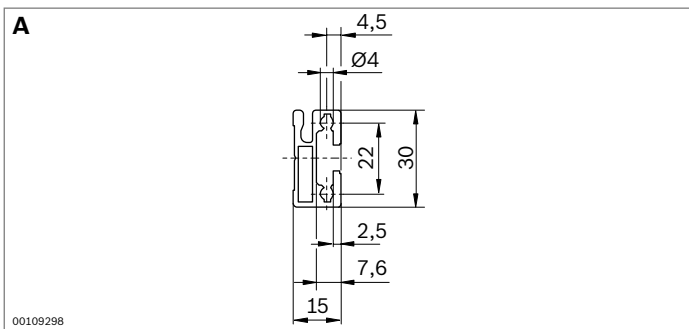
Grab container assembly element
Tool shelf assembly element
Suspension profile



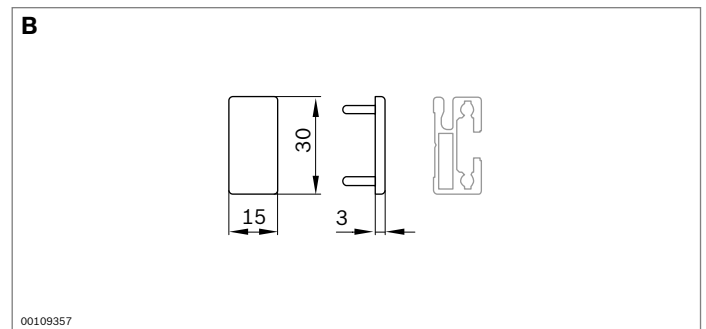
00137571



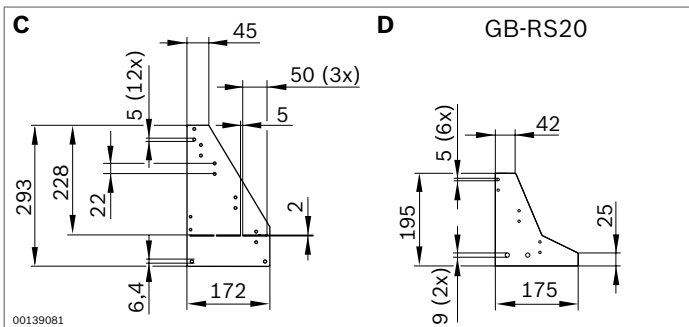
00121461



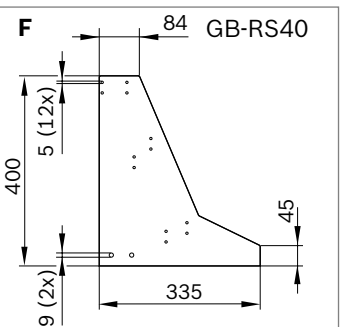
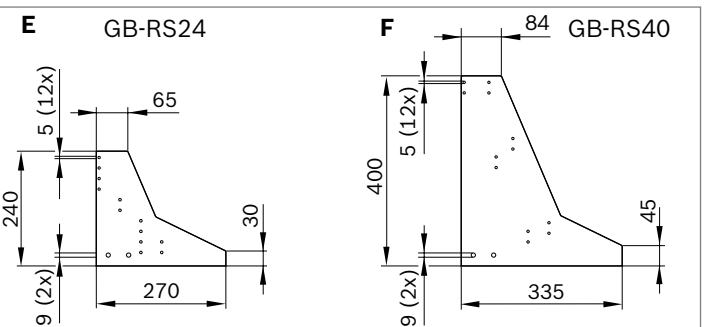
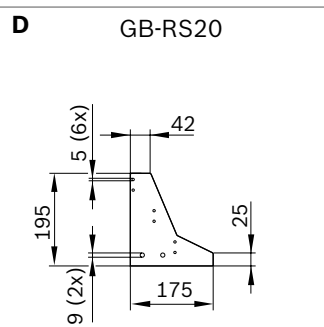
00109298



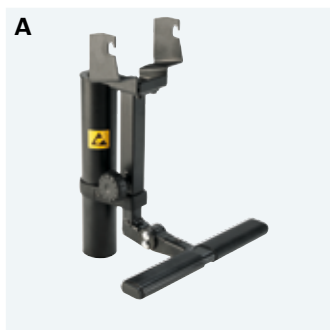
00109357



00139081



	L (mm)			ESD	No.
A Suspension profile; material: aluminum, anodized	30 ...3000	1			3 842 993 411/L
	3000	10			3 842 537 679
Suspension profile; material: Aluminum, chromated	30 ...3000	1			3 842 993 359/L
	3000	10			3 842 537 681
B Cap, suspension profile			20		3 842 338 990
C Side plate for tool shelf (2 each); material: Sheet aluminum			Set		3 842 553 996
D Side plate for grab container rack GB-RS24 (2 each); material: Sheet aluminum			Set		3 842 517 399
E Side plate for grab container rack GB-RS24 (2 each); material: Sheet aluminum			Set		3 842 517 400
F Side plate for grab container rack GB-RS40 (2 each); material: Sheet aluminum			Set		3 842 517 401
G T-nut, 10 mm slot, M8			100		3 842 530 287



20377



20382



20381

Accessories



Foot support (A)

- ▶ For Dynamic-PU, Dynamic synthetic leather, Dynamic textile and Dynamic-ESD swivel work chairs with a seat height above 650 mm. According to DIN 68 877, work chairs with a seat height above 650 mm must be equipped with a foot support.
- ▶ Retractable
- ▶ Adjustable height
- ▶ Non-slip surface

Circular footrest (B)

- ▶ For all swivel work chairs
- ▶ For secure mounting and a low-fatigue, ergonomic sitting posture
- ▶ Adjustable height

Armrests (C)

- ▶ For Dynamic PU, Dynamic synthetic leather, Dynamic textile and Dynamic ESD

	ESD	No.
A Foot support		3 842 546 772
		3 842 546 775
B Circular footrest		3 842 546 773
C Armrests	Set	3 842 557 271
	Set	3 842 557 272

Workstation lighting

The right lighting, adapted to the activity at the workstation, is a basic prerequisite for high efficiency and processing quality. Optimum lighting prevents fatigue, improves concentration, and performance, and reduces the number of errors.

In addition to climate, noise, mechanical vibrations, and hazardous substances, lighting is another environmental factor that must be taken into consideration.

Important aspects for planning workstation lighting include:

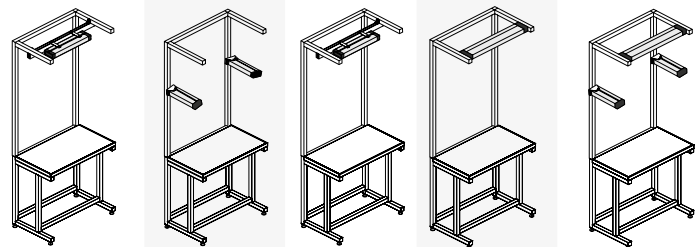
- ▶ Avoiding strong contrasts
- ▶ Avoiding glare and reflection

DIN EN 12 464 or the table below contain the required mid-range lighting strengths.

The right Rexroth system light for every task

Calculation example for work top lighting

Rexroth SL 78 (nominal lighting strength) 681 Lux
 (with distance lamp-table top = 1.25 m)
 + ambient light 300 lux
 = work top lighting 800 Lux



Tasks	Required lighting strength (Lux) ¹⁾	Rexroth SL 48	Rexroth SL 36 Duo / SL 15 LED Duo	Rexroth SL 20 LED	Rexroth SL 78 / SL 30 LED	Rexroth SL 78 + SL 36 Duo / SL 30 LED + SL 15 LED Duo
Rough and average machine and assembly tasks such as turning, milling, and planing	300	■ 1)	■ 1)	■ 1)		
Fine machine tasks with permissible deviations	500	■■■■ 1)	■ 1)	■ 1)	■ 1)	
Fine assembly tasks, e.g. telephones, winding medium-sized coils, marking, inspection, and measuring stations	750		■■■■ 1)	■■■■ 1)	■ 1)	■ 1)
Very fine assembly, e.g. measuring instruments, assembly of tools, gages, and equipment, precision mechanics and micromechanics	1000				■■■■ 1)	■ 1)
Assembly, inspection, and adjustment of extremely small parts	1500					■■■■ 1)

¹⁾ Distance between the table top and lamp: 1.25 m

■ Lamp lighting strength sufficient for task

■■■■ Lamp lighting strength + ambient light (300 lux) sufficient for task

See technical data (see page 183)

Rexroth's system lamp range provides glare and flicker-free light of the highest quality. You can operate the lamps as required for the job at hand either individually or in combination with one another.

This allows you to provide your workstations with uniform illumination of outstanding quality. The lamps can be switched on and off when plugged into a socket with a power switch.

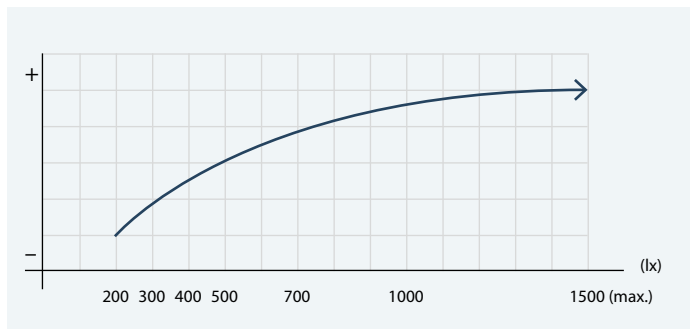
The lamps can be connected in series using the connection cables. The ready-to-use connection and mains cables allow you to install the lamps yourself without needing an electrician. The lamps are suitable for use at ESD workstations.

Lighting on a new level: LED system lamps

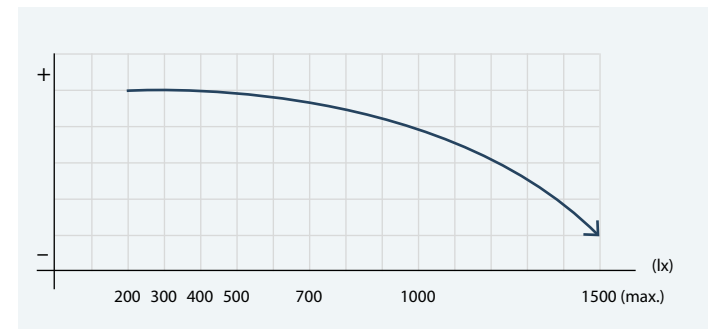
The design of the LED lamps sets itself apart by combining parabolic louvers and diffuser foil.

The use of LEDs as the illuminant makes possible low energy consumption, long life, and maintenance-free lamps. Staff members can adjust the lighting strength that they need to match their age using a controller. Using this controller, it is possible to dim the lighting strength.

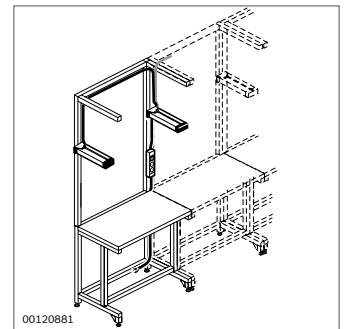
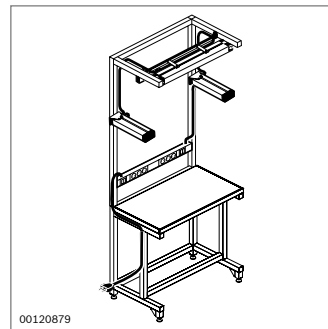
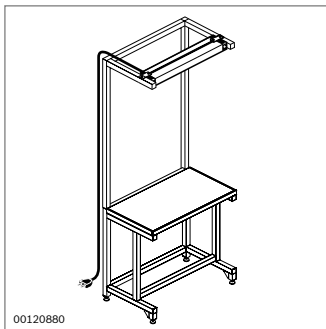
Increased efficiency with Rexroth system lamps



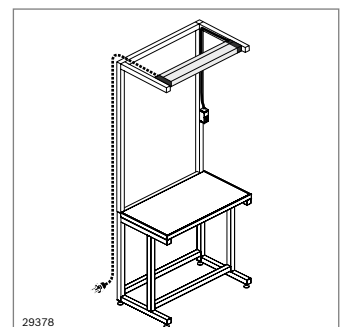
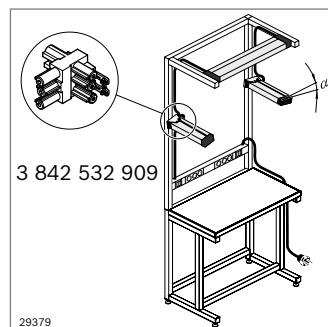
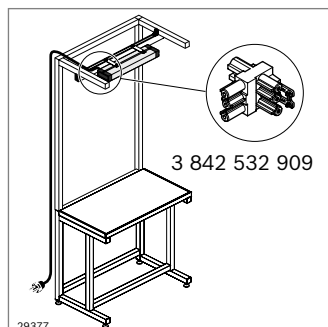
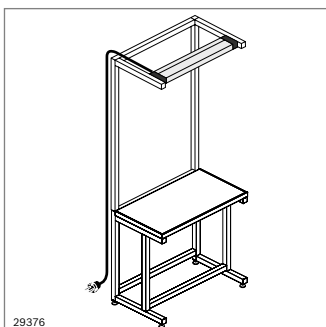
Reduction of errors with Rexroth system lamps

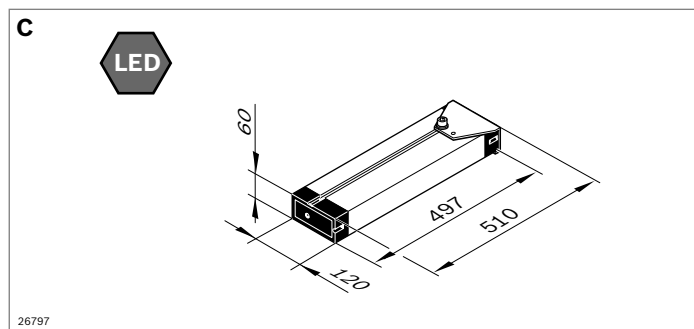
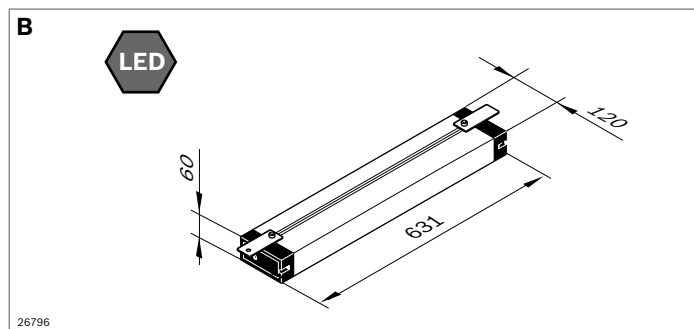
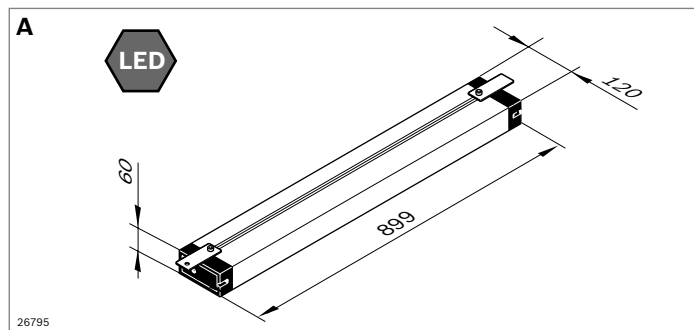


Conventional lamps



LED lamps (Fig. 4 including controller)





LED system lamps



- ▶ Glare-free light thanks to the combination of a parabolic louver and diffuser foil
- ▶ 60% energy savings compared to conventional workstation lighting
- ▶ Color temperature: 5000 K
- ▶ With GST connecting socket (black = 230 V; blue = dimming)
- ▶ Service life: 60,000 h
- ▶ Suitable for use at ESD workstations
- ▶ SL 30 LED: Attached to a strut extension (workstations with B = 990 mm) or to a hanger (workstations with B ≠ 990 mm)
- ▶ SL 20 LED: Mounting to a hanger
- ▶ SL 15 LED: Mounting to the vertical strut or the strut extension

Protection class: IP 20 (DIN EN IEC 60529)

Housing material: aluminum, anodized

Scope of delivery: Includes fastening kit (10 mm slot)

Required accessories: Mains cable or connecting cable (see p. 52)

Optional accessories:

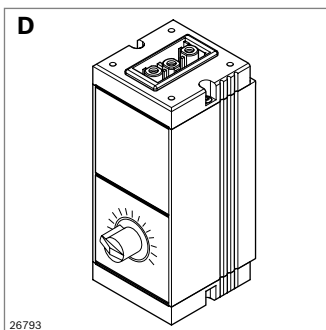
Controller (**D**) (see p. 43);

DIM (**E**) connecting cable (see p. 43);

H distributor POWER (230 V) (**F**) (see p. 43)

			Fluorescent tubes	Service life (h)	Voltage	Weight (kg)	No.
A	LED 30	EU ¹⁾	LED/30 W	60 000	220-240 V/50 Hz; 60 Hz	3.2	3 842 552 220
		USA/CDN ²⁾	LED/30 W	60 000	120-277 V/50 Hz; 60 Hz	3.2	3 842 555 626
B	LED 20	EU ¹⁾	LED/20 W	60 000	220-240 V/50 Hz; 60 Hz	2.4	3 842 552 222
		USA/CDN ²⁾	LED/20 W	60 000	120-277 V/50 Hz; 60 Hz	2.4	3 842 555 627
C	LED 15	EU ¹⁾	LED/15 W	60 000	220-240 V/50 Hz; 60 Hz	2.0	3 842 552 224
		USA/CDN ²⁾	LED/15 W	60 000	120-277 V/50 Hz; 60 Hz	2.0	3 842 555 628

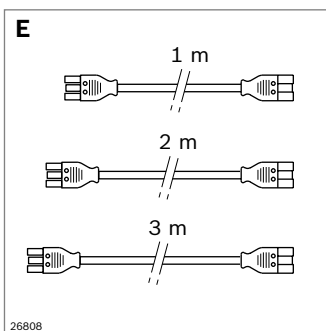
¹⁾ Test marks of VDE, ENEC; ²⁾ Test marks of UL, CSA, FCC

**Controller (D)**

- ▶ By turning the rotary button, you can dim the lighting strength of the LED system lamps

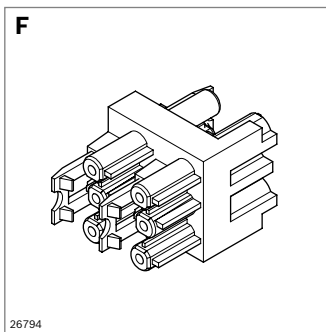
Required accessories: DIM (E) connecting cable

	No.
D Controller	3 842 552 226

**DIM (E) connecting cable**

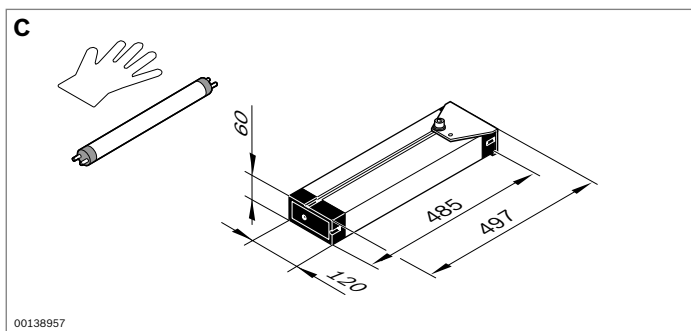
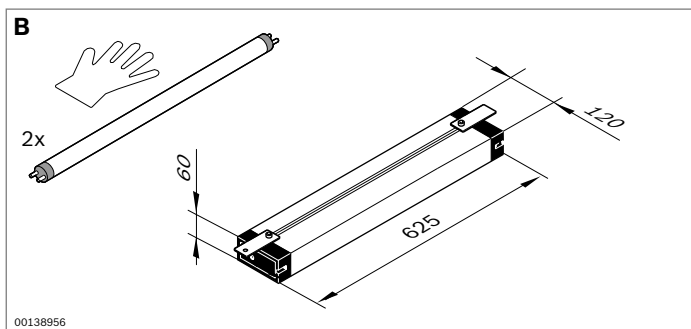
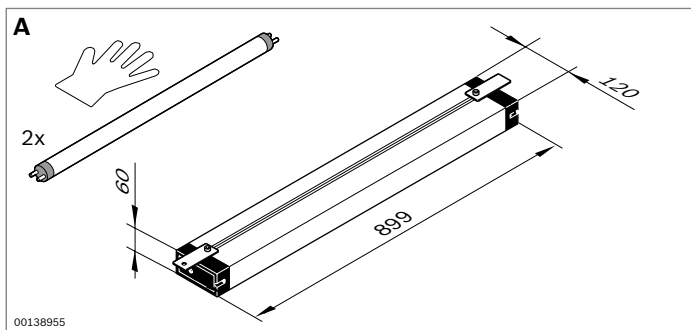
- ▶ For wiring the controller to the system lamps
- ▶ Safe Plug & Play installation available in different lengths
- ▶ Color of plug: blue
Color of cable: black

		L (m)		No.
E Connection cable DIM	EU	1	1	3 842 553 139
	EU	2	1	3 842 553 140
	EU	3	1	3 842 553 141

**POWER H-distributor (230 V) (F)**

- ▶ For connecting up to three lamps to one mains connection
- ▶ Compatible with 40x40 or 45x45 cable duct (see MGE 13.0 page 11-2)
- ▶ Color: black

			No.
F POWER H-distributor (230 V)		1	3 842 553 142



System lamps



Electronic

- ▶ Glare-free light of the highest quality (quality class A according to DIN 5035-T2); color temperature: 4000 K
- ▶ With electronic lamp ballast for flicker-free light (> 25 kHz)
- ▶ With three GST outlet sockets for looping through the electrical current
- ▶ Very inexpensive to operate (low power consumption, long life)
- ▶ Low weight
- ▶ Suitable for use at ESD workstations
- ▶ SL 78 electronic: Attached to a strut extension (workstations with B = 990 mm) or to a hanger (workstations with B ≠ 990 mm)
- ▶ SL 48 electronic: Mounting to a hanger
- ▶ SL 36 electronic: Mounting to the vertical strut of the strut extension

Protection class: IP 20 (DIN EN IEC 60529)

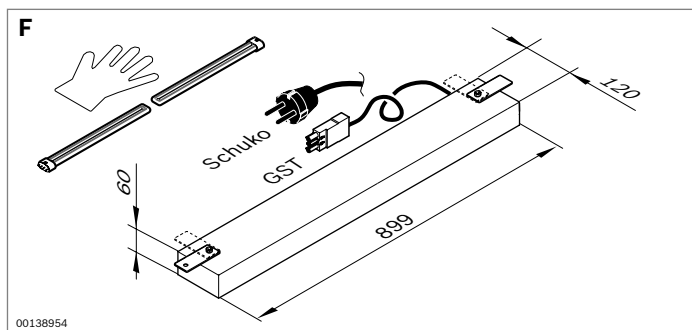
Housing material: aluminum, anodized

Scope of delivery: Includes fluorescent tubes and insulating fastening kit (10 mm slot)

Required accessories: Mains cable or connecting cable, if necessary (see p. 52)

		Fluorescent tubes	Service life (h)	Voltage	Weight (kg)	No.
A SL 78 electronic	EU ¹⁾	2x T5-L 39 W	18 000	220-240 V/ 50 Hz; 60 Hz	2.8	3 842 537 343
	USA/CDN ²⁾	2x T5-L 39 W	18 000	120-277 V/ 50 Hz; 60 Hz	2.8	3 842 537 345
B SL 48 electronic	EU ¹⁾	2x T5-L 24 W	18 000	220-240 V/ 50 Hz; 60 Hz	2.3	3 842 537 347
	USA/CDN ²⁾	2x T5-L 24 W	18 000	120-277 V/ 50 Hz; 60 Hz	2.3	3 842 537 349
C SL 36 electronic	EU ¹⁾	1x TC-L 36 W	18 000	220-240 V/ 50 Hz; 60 Hz	1.6	3 842 516 713
	USA/CDN ²⁾	1x TC-L 36 W	18 000	120-277 V/ 50 Hz; 60 Hz	1.6	3 842 537 351

¹⁾ Test marks of VDE, ENEC; ²⁾ Test marks of UL, CSA, FCC

**Economic**

- ▶ Glare-free light of the highest quality (quality class A according to DIN 5035-T2)
- ▶ Very inexpensive
- ▶ Suitable for use at ESD workstations
- ▶ With mains cable (4 m) with grounded or GST plug
- ▶ Attached to a strut extension (workstations with B = 990 mm) or to a hanger (workstations with B ≠ 990 mm)

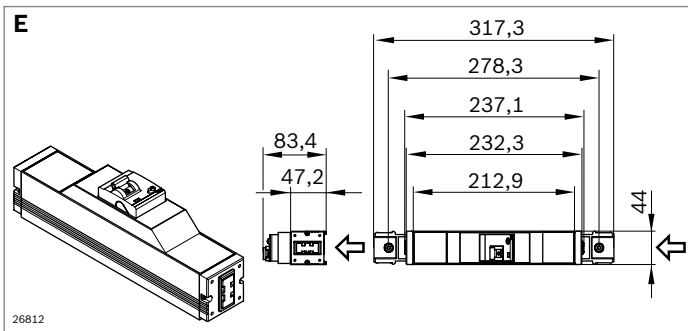
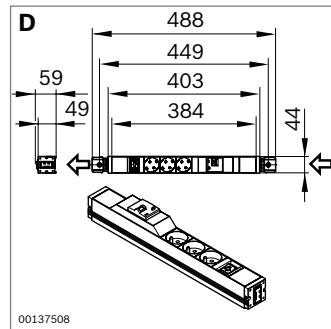
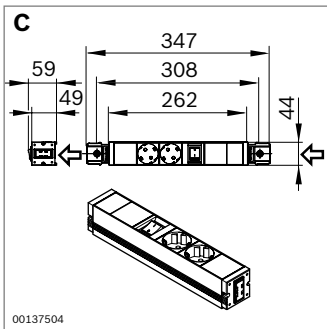
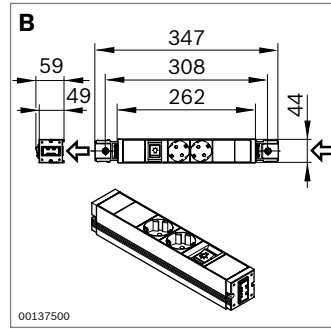
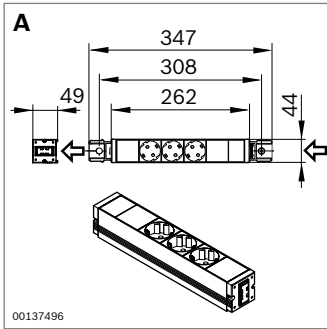
Protection class: IP 20 (IEC 529)

Housing material: Sheet steel; powder-coated, dusty gray, RAL 7037

Scope of delivery: Includes fluorescent tubes and insulating fastening kit (10 mm slot)

		Fluorescent tubes	Service life (h)	Voltage	Weight (kg)	No.
F SL 72 economic, grounded	EU ¹⁾	2x TC-L 36 W	8000	230 V/50 Hz	4.3	3 842 540 924
	USA/CDN ²⁾	2x TC-L 36 W	8000	120-277 V/ 50 Hz; 60 Hz	4.3	3 842 540 033
F SL 72 economic, GST	EU ¹⁾	2x TC-L 36 W	8000	230 V/50 Hz	4.3	3 842 540 925
	USA/CDN ²⁾	2x TC-L 36 W	8000	120-277 V/ 50 Hz; 60 Hz	4.3	3 842 540 034

¹⁾ Test marks of VDE, ENEC; ²⁾ Test marks of UL, CSA, FCC



Socket strip




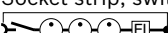

- ▶ Socket strip with two or three grounded plug sockets
- ▶ Socket inserts rotated 45° for space-saving arrangement with angled plugs
- ▶ With GST outlet socket including cap for looping through the electrical current
- ▶ When connecting several products in series, observe the maximum permissible current. See the table below
- ▶ Intended for permanent installation
- ▶ Only permissible in combination with installation elements from Rexroth
- ▶ Versions with switchable inlet and/or outlet and residual current device
- ▶ Suitable for use at ESD workstations
- ▶ Tripping current of RCD: 30 mA

Protection class: IP 20 (DIN EN IEC 60529)

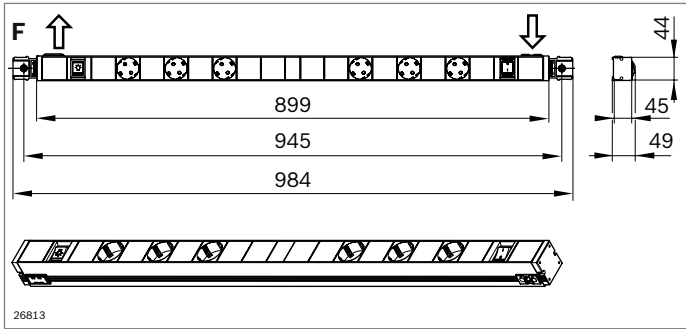
Material: Aluminum, anodized; insert: plastic, black

Scope of delivery: Includes insulating fastening kit (10 mm slot)

Required accessories: Mains cable or connecting cable, if necessary (see p. 52)

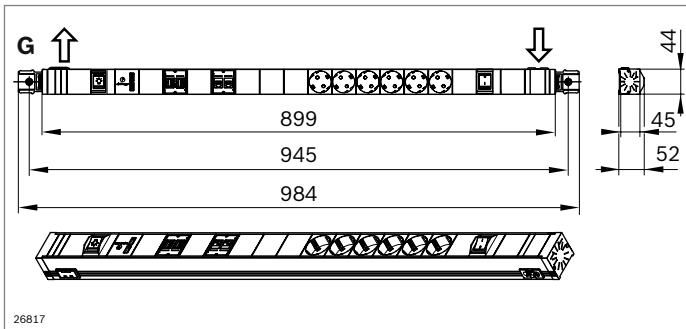
	Country	I (A)/U (V)	No.
A Socket strip 	D ¹⁾	Max. 16 A/230 V	3 842 539 842
	F ¹⁾	Max. 16 A/230 V	3 842 539 852
	GB ¹⁾	Max. 16 A/230 V	3 842 539 862
	USA/CDN ²⁾	Max. 15 A/125 V	3 842 539 880
B Socket strip, switchable outlet 	D ¹⁾	Max. 16 A/230 V	3 842 539 844
	F ¹⁾	Max. 16 A/230 V	3 842 539 854
	GB ¹⁾	Max. 13 A/230 V	3 842 539 864
	CH ¹⁾	Max. 10 A/230 V	3 842 539 872
	USA/CDN ²⁾	Max. 15 A/125 V	3 842 539 882
C Socket strip, switchable sockets, switchable outlet 	D ¹⁾	Max. 16 A/230 V	3 842 539 846
	F ¹⁾	Max. 16 A/230 V	3 842 539 856
	GB ¹⁾	Max. 13 A/230 V	3 842 539 866
D Socket strip, switchable outlet, current-limiting CTT-breaker  I _{Δn} = 30 mA	D ¹⁾	Max. 16 A/230 V	3 842 542 060
	F ¹⁾	Max. 16 A/230 V	3 842 539 858
E Ground fault circuit interrupter  I _{Δn} = 30 mA	EU	Max. 16 A/230 V	3 842 552 214

¹⁾ Test mark of VDE; ²⁾ Test marks of UL, CSA, FCC



Power strip (F)

- ▶ Power strip with six grounded plug sockets for attachment to a strut extension (workstations with B = 990 mm)
- ▶ Suitable for use at ESD workstations



Network strip (G)

- ▶ Network strip with six grounded plug sockets and USB 3.0 socket, LAN (RJ45) port and USB charger for attachment to a strut extension (workstations with B = 990 mm)
- ▶ Suitable for use at ESD workstations

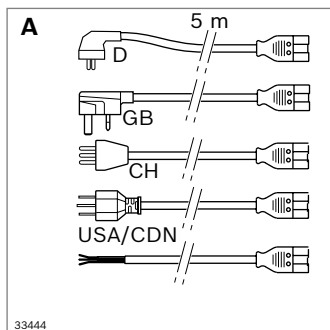
Protection class: IP 20 (DIN EN IEC 60529)

Material: Aluminum, anodized; insert: plastic, black

Scope of delivery: Includes insulating fastening kit (10 mm slot)
 Required accessories: Mains cable or connecting cable, if necessary (see p. 52)

	Country	I (A)/U (V)	No.
F Power strip, switchable socket, switchable outlet 	D ¹⁾	Max. 16 A/230 V	3 842 539 850
	F ¹⁾	Max. 16 A/230 V	3 842 539 860
	GB ¹⁾	Max. 13 A/230 V	3 842 539 868
	CH ¹⁾	Max. 10 A/230 V	3 842 539 876
	USA/CDN ²⁾	Max. 15 A/125 V	3 842 539 884
G Network strip, switchable socket, switchable outlet 	D	Max. 16 A/230 V	3 842 552 212

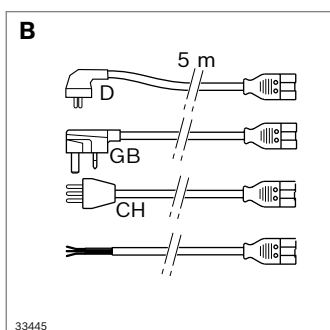
¹⁾ Test mark of VDE; ²⁾ Test marks of UL, CSA, FCC



Mains cable (A)

- ▶ For connecting system lamps, socket strips or power strips
- ▶ Ready-to-use mains cable: Available in various country versions; for simple, reliable plug-and-play installation with no specialist knowledge required
- ▶ Mains cable with one end open: For self-assembly; accessories: GST plug, GST socket

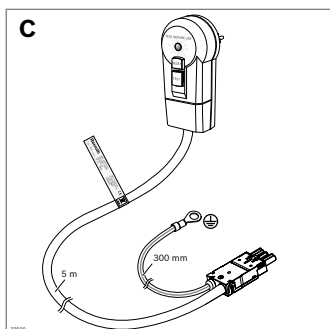
Connection cable material: PVC (H05VV-F), black



Mains cable HD (B)

- ▶ Use in moderate industrial environments
- ▶ Ready-to-use mains cable: Available in various country versions; for simple, reliable plug-and-play installation with no specialist knowledge required
- ▶ Mains cable with one end open: For self-assembly; accessories: GST plug, GST socket

Connection cable material: PUR (H07BQ-F), orange



Mains cable with RCD module and PE connection (C)

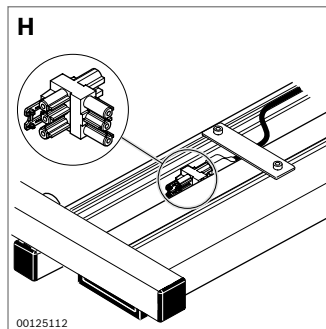
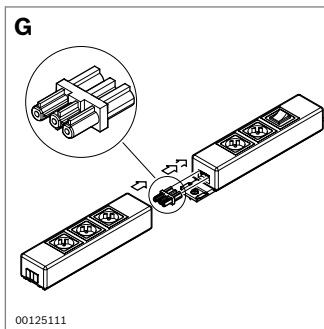
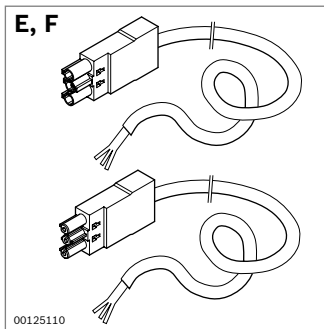
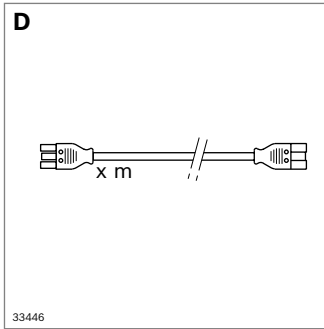
- ▶ For safe connection of workstations directly from the socket
- ▶ Ready-to-use mains cable: for simple, reliable plug-and-play installation
- ▶ Tripping current RCD module: 30 mA

Protection class: IP 20 (DIN EN IEC 60529)

Connection cable material: PVC (H07BQ-F), orange

	Country	L (m)		No.
A Mains cable	D/F ¹⁾	5		3 842 517 045
	GB ¹⁾	5		3 842 522 585
	CH ¹⁾	5		3 842 523 910
	USA/CDN ²⁾	5		3 842 537 323
	Open end ¹⁾	5		3 842 517 201
B Mains cable HD	D/F	5		3 842 554 183
	GB	5		3 842 555 603
	CH	5		3 842 555 605
	open end	5		3 842 555 607
C Mains cable with RCD module and PE connection	D/F	5		3 842 555 600

¹⁾ Test mark of VDE; ²⁾ Test marks of UL, CSA, FCC



Connection cable (D)

- ▶ For cable connections between system lamps, socket strips or power strips
- ▶ Ready-made in various country versions and lengths
- ▶ For simple, reliable plug-and-play installation with no electrician needed

Cable material: PVC (H05VV-F), black


GST plug, GST socket (E, F)

- ▶ For cable self-assembly

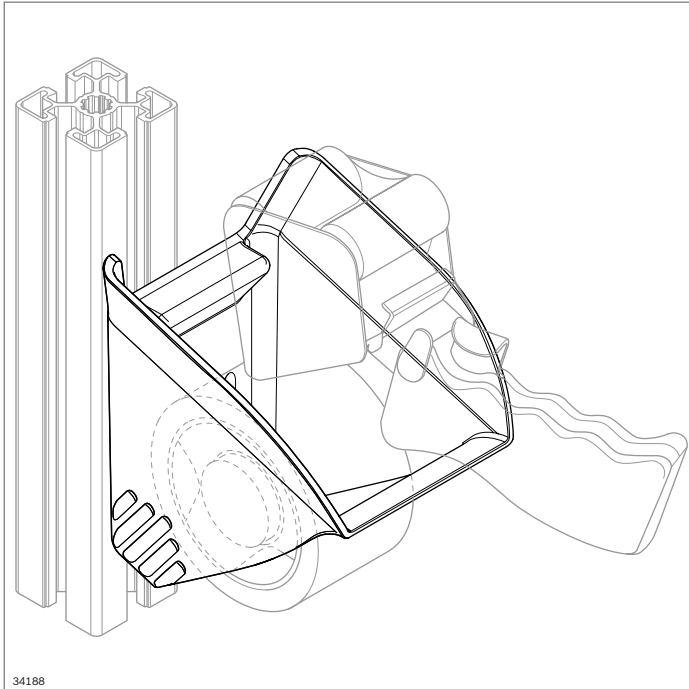
Color: Black

Connecting plug (G)

T-plug (H)

	Country	L (m)		No.
D Connection cable	EU ¹⁾	4		3 842 537 598
		3		3 842 527 207
		2		3 842 517 047
		1.5		3 842 537 123
		1		3 842 517 049
		0.5		3 842 517 051
		USA/CDN ²⁾	4	
3			3 842 537 558	
2			3 842 537 560	
1.5			3 842 537 562	
1			3 842 537 564	
0.5			3 842 537 566	
E GST plug				10
F GST socket			10	3 842 517 044
G Connecting plug			10	3 842 517 055
H T-plug			10	3 842 532 909

¹⁾ Test mark of VDE; ²⁾ Test marks of UL, CSA, FCC



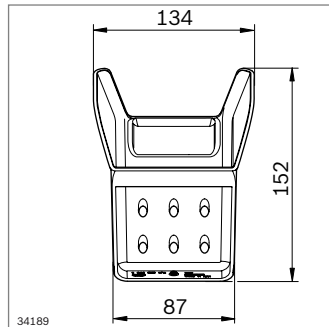
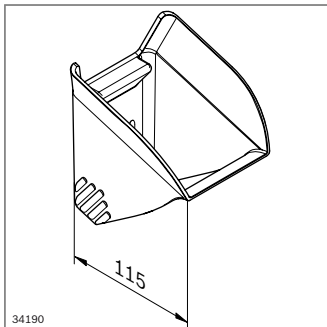
Tool holder TAPE 50 mm



- ▶ Tool holder for tape dispenser with a width of 50 mm
- ▶ Time savings of 10% to 20% based on MTM, achievable with
 - Defined place for faster reaching and picking
 - Docking aids for easy, ergonomic depositing
- ▶ Supports 5S principles for order and cleanliness at the workstation via defined, fixed place


Material: PA 6; black

Scope of delivery: Includes fastening material for fastening in 8 mm or 10 mm slots



ESD No.

Tool holder TAPE 50 mm

 **3 842 555 673**

Bosch Rexroth AG

Postfach 30 02 07
70442 Stuttgart, Germany
www.boschrexroth.com

You can find local contact information at:

www.boschrexroth.com/contact

The data specified above only serves to describe the product.

Due to the continuous development of our products, no statements concerning a specific characteristic or suitability for a specific application can be inferred from the information that we provide. The information given does not release the user from the obligation of own judgment and verification.

It must be remembered that our products are subject to a natural process of wear and aging.