

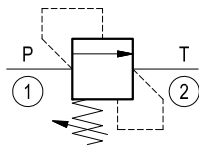
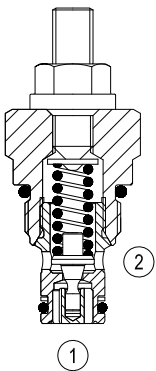
RE 18318-04/09.09

1/2

Replaces: RE 00162-02/01.06

Relief, direct acting guided poppet type

Common cavity, Size 08

VSBN-08A
04.11.49 - X - 56 - Z


Description

Flow is blocked from 1 to 2 until pressure increases to meet the selected valve setting, lifting the poppet from its seat and allowing relief flow through port 2 to tank. Pressure at port 2 is additive to the relief setting of the valve. The unique Bosch Rexroth Oil Control poppet design provides enhanced stability at all flows and pressures.

Technical data

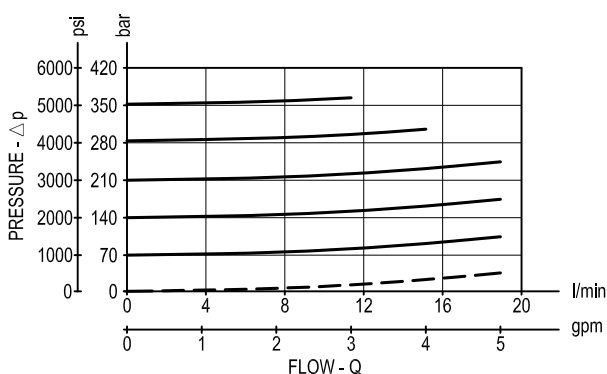
Max. operating pressure port 1 (P)	bar (psi)	350 (5000)
Max. pressure admitted port 2 (T)	bar (psi)	140 (2000)
Max. flow	l/min. (gpm)	20 (5.3)
Max. internal leakage (*)	drops/min.	15
Fluid temperature range	°C (°F)	-30 to 100 (-22 to 212)
Installation torque	Nm (ft-lbs)	34-41 (25-30)
Weight (**)	kg (lbs)	0.09 (0.2)
Cavity		CA-08A-2N see data sheet RE 18325-70
Line bodies		See data sheet RE 18325-85
Seal kit (***)	code material no.	RG08A2010520100 R901101437
Fluids		Mineral-based or synthetics with lubricating properties at viscosities of 10 to 500 mm ² /s (cSt)
Filtration		Nominal value max. 10µm (NAS 8) ISO 4406 19/17/14
Installation		No restrictions
Other general technical data		See data sheet RE 18350-50

(*) Max. to 80% of nominal setting

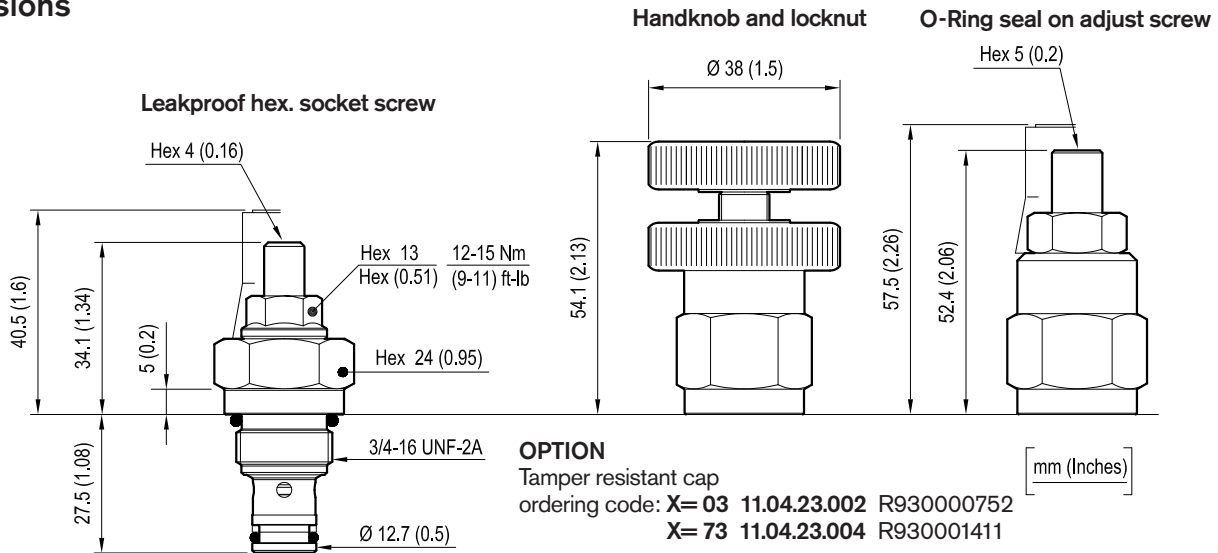
(**) Standard version X=03 type

(***) Only external seals for 10 valves

Performance



Dimensions



Ordering code

04.11.49	X	56	Z	00	*
----------	---	----	---	----	---

Series 0/A to L
 unchanged performances and dimensions

Version and options standard

Relief, direct acting guided poppet type

Adjustments

- = 03 Leakproof hex.socket screw
- = 04 Handknob and locknut
- = 73 O-Ring seal on adjust screw

Common cavity, size 08

SPRINGS

		Adj. pressure range bar (psi)	Pres. increase bar/turn (psi/turn)	Std. setting bar (psi) Q=5 l/min
for X=03	= 05	10-70 (*) (145-1000)	26 (375)	50 (725)
	= 10	35-140 (500-2000)	50 (725)	100 (1450)
	= 20	105-210 (1500-3000)	79 (1145)	200 (2900)
	= 35	175-350 (2500-5000)	170 (2465)	350 (5000)
for X=04	= 35	35-350 (500-5000)	72 (1044)	200 (2900)
for X=73	= 35	35-350 (500-5000)	72 (1044)	200 (2900)

Note: Special settings available. Contact factory authorized representative for ordering code
 (*) minimum pressure setting intended with Q=5 l/min (1.3 gpm)

Type	Material number
041149035605000	R901113598
041149035610000	R901113599
041149035620000	R901097728
041149035635000	R901091914
041149045635000	R901113600

Type	Material number
041149735635000	R901113601