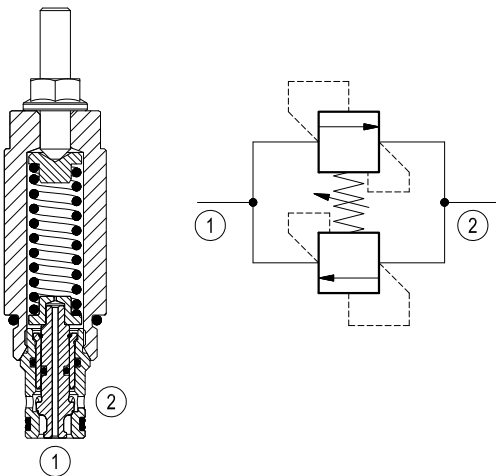


## Relief, bi-directional direct acting poppet type differential area

Common cavity, Size 10

VSNG-10A

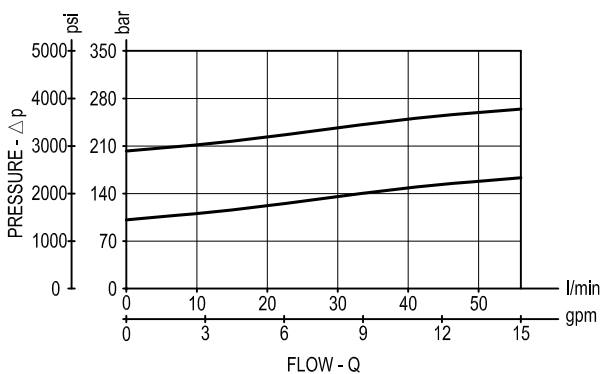
04.11.59 - X - 85 - Z



### Description

Flow is blocked bi-directionally between 1 and 2 until pressure at either port increases to meet the selected valve setting, lifting the poppet from its seat and allowing relief flow to the opposite port. The unique Bosch Rexroth Oil Control poppet design provides consistent cracking pressures at both ports and enhanced stability at all flows and pressures. Maximum difference for crack pressure in both direction : 10 bar (145 psi)

### Performance



### Technical data

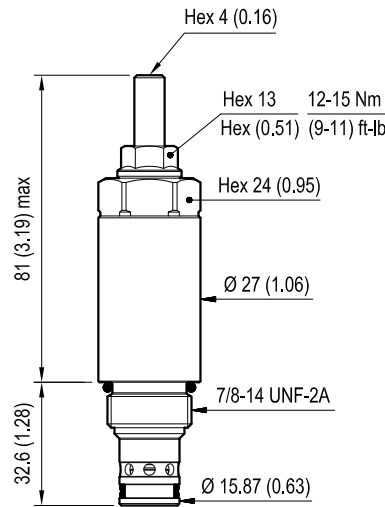
Max. operating pressure port 1 (P)	bar (psi)	240 (3500)
Max. pressure admitted port 2 (T)	bar (psi)	240 (3500)
Max. flow	l/min. (gpm)	56 (15)
Max. internal leakage (*)	cm <sup>3</sup> /min. (cu.in./min.)	30 (1.8)
Fluid temperature range	°C (°F)	-30 to 100 (-22 to 212)
Installation torque	Nm (ft-lbs)	41-47 (30-35)
Weight	kg (lbs)	0.25 (0.55)
Cavity		CA-10A-2N see data sheet RE 18325-70
Seal kit (**)	code material no.	RG10A2010530100 R901111366
Fluids		Mineral-based or synthetics with lubricating properties at viscosities of 10 to 500 mm <sup>2</sup> /s (cSt)
Filtration		Nominal value max. 10µm (NAS 8) ISO 4406 19/17/14
Installation		No restrictions
Other general technical data		See data sheet RE 18350-50

(\*) Measured at 200 bar (2900 psi)

(\*\*) Only external seals for 10 valves

## Dimensions

Leakproof hex. socket screw



mm (Inches)

## Ordering code

04.11.59	X	85	Z	00	*
----------	---	----	---	----	---

Relief, bi-directional direct acting poppet type differential area

Series 0/A to L  
unchanged performances and dimensions

Version and options standard

Adjustments  
= 03 Leakproof hex. socket screw

	SPRINGS		
	Adj. press. range bar (psi)	Pressure increase bar/turn (psi/turn)	Std. setting bar (psi) Q=5 l/min
= 10	30-100 (450-1450)	13.5 (196)	100 (1450)
= 20	100-240 (1450-3500)	31 (450)	200 (2900)

Note: Special settings available. Contact factory authorized representative for ordering code

Common cavity, Size 10

Type	Material number
041159038510000	R901109725
041159038520000	R901109726

Type	Material number