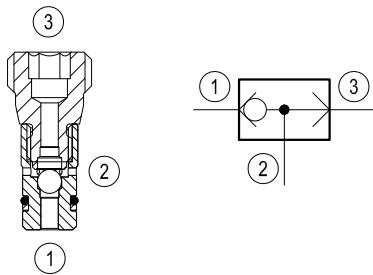


## Directional poppet type, shuttle

Special cavity

SELC-04A

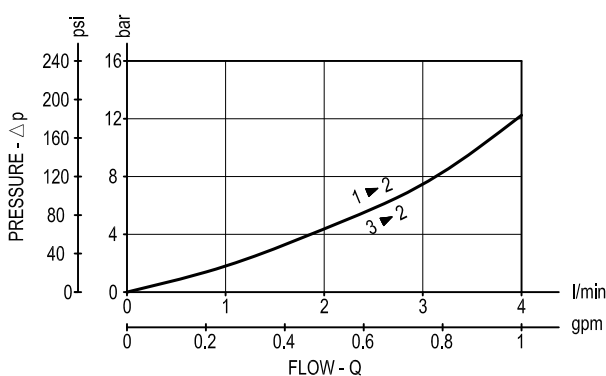
04.94.07.00.54.00



### Description

The single ball shuttle allows flow from the higher pressure of two work ports 1 and 3 to the 2 port.

### Performance

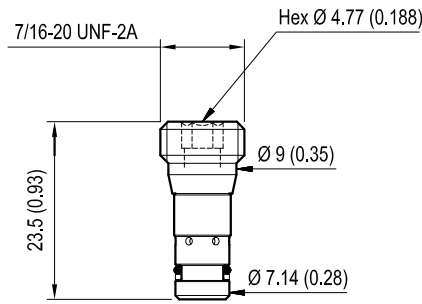


### Technical data

Max. operating pressure	bar (psi)	350 (5000)
Max. flow	l/min. (gpm)	See performance graph
Nominal size		DN 2.5
Max. internal leakage	drops/min.	5
Fluid temperature range	°C (°F)	-30 to 100 (-22 to 212)
Installation torque	Nm (ft-lbs)	10 (7)
Weight	kg (lbs)	0.01 (0.02)
Special cavity		CA-04A-3Y see data sheet RE 18325-75
Seal kit (*)	code material no.	RG0939010520100 R930001705
Fluids		Mineral-based or synthetics with lubricating properties at viscosities of 5 to 800 mm <sup>2</sup> /s (cSt)
Filtration		Nominal value max. 10µm (NAS 8) ISO 4406 19/17/14
Installation		No restrictions
Other Technical Data		See data sheet RE 18350-50

(\*) Only external seals for 10 valves

### Dimensions



[mm (Inches)]

### Ordering code

04.94.07.00	54	00	00	*
-------------	----	----	----	---

Directional poppet type, shuttle

Series 0/A to L  
unchanged performances and dimensions

Version and options standard

Special cavity, CA-04A-3Y

Type	Material number
049407005400000	R930005663

Type	Material number