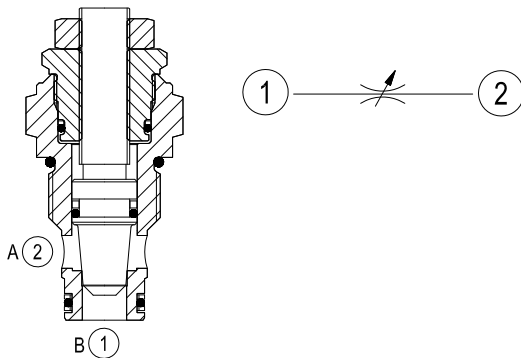


Flow control valve, cartridge restrictor

Common cavity, Size 10

ST-C-10

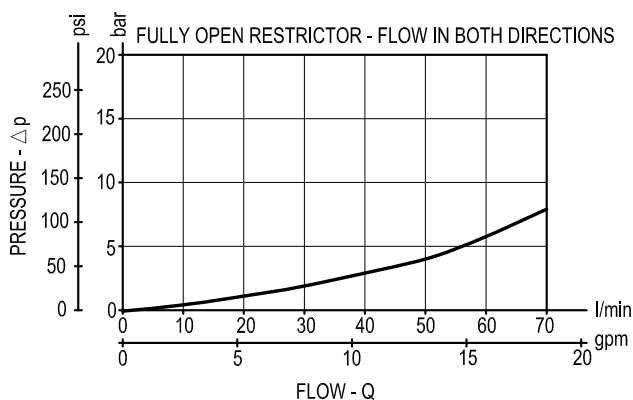
OD.21.01 - X - 36



Description

Increasing the orifice value from fully closed to fully open, flow is permitted and regulated bi-directional from 1 to 2 and from 2 to 1.

Performance

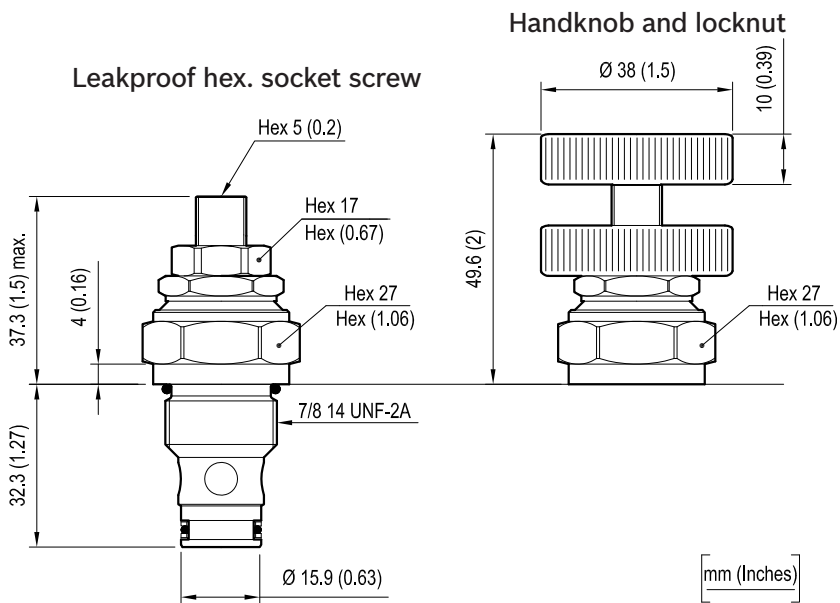


Technical data

Max. operating pressure	bar (psi)	350 (5000)
Rated flow	l/min. (gpm)	70 (19)
Fluid temperature range	°C (°F)	-30 to 100 (-22 to 212)
Installation torque	Nm (ft-lbs)	44-56 (33-41)
Weight	kg (lbs)	0.18 (0.4)
Cavity		CA-10A-2N see data sheet RE 18325-70
Line bodies		See data sheet RE 18325-85
Seal kit (*)	code material no.	RG10A2010530100 R901111366
Fluids		Mineral-based or synthetics with lubricating properties at viscosities of 10 to 500 mm ² /s (cSt)
Filtration		Nominal value max. 10µm (NAS 8) ISO 4406 19/17/14
Installation		No restrictions
Other Technical Data		See data sheet RE 18350-50

(*) Only external seals for 10 valves

Dimensions



Ordering code

OD.21.01	X	36	00	*
----------	---	----	----	---

Flow control valve, cartridge restrictor

Adjustments

- = 03 Leakproof hex. socket screw
- = 04 Handknob and locknut

Series 0/A to L
unchanged performances and dimensions

Version and options standard

Common cavity, Size 10

Type	Material number
OD210103360000	R901109830
OD210104360000	R901109831

Type	Material number