

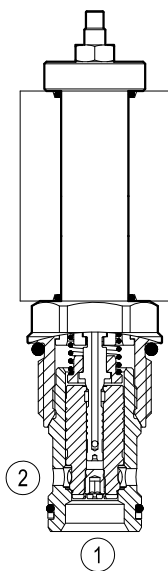
Proportional valves poppet type not compensated flow regulator

Common cavity, Size 12

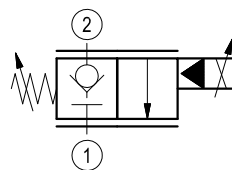


VEPN-12A

OD.95.06.89.72.00



Version 06



General

Weight	kg (lbs)	0.29 (0.64)
Installation orientation		Optional
Ambient temperature range	°C (°F)	-30 to 90 (-22 to 194)

Hydraulic

Max. operating pressure	bar (psi)	210 (3000)
Flow range	l/min.(gpm)	5-60 (1-16)
Max. internal leakage	cm ³ /min. (cu.in./min.)	10 (0.6)
Fluid temperature range	°C (°F)	-20 to 80 (-4 to 176)
Fluids		Mineral-based or synthetics with lubricating properties at viscosities of 15 to 380 mm ² /s (cSt)
Installation torque	Nm (ft-lbs)	51-55 (38-41)
Filtration		Nominal value max. 10µm (NAS 8) ISO 4406 19/17/14
Cavity		CA-12A-2N see RE 18325-70
Seal kit	code material no.	RG12A2010520100 R901111377
Seal kit coil	code material no.	RG16A1PMVQ0010 R934003962
Other technical data		See data sheet RE 18325-90

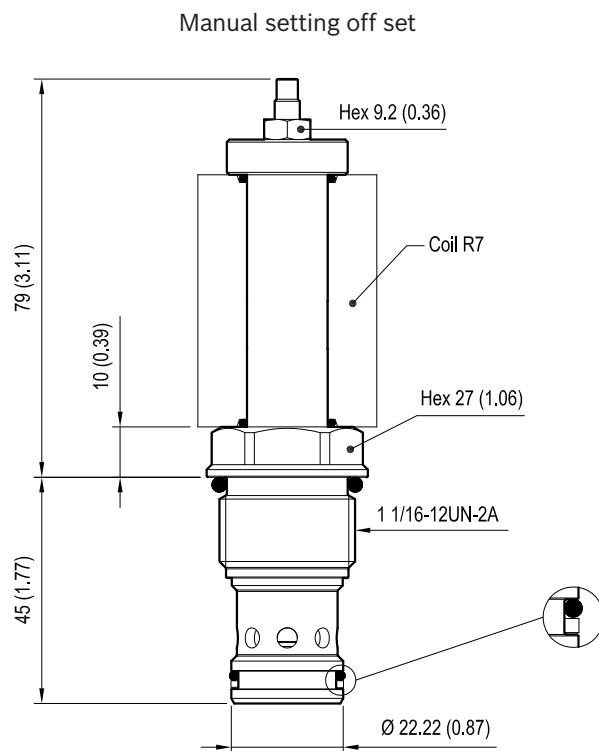
Electrical

Type of voltage		12 DC voltage
Coil type		R7
Supply voltage		12 DC
Nominal voltage		± 10%
Power consumption	W	18
Duty cycle	%	100
Type of protection		See data sheet RE 18325-90

Note: Coils must be ordered separately.

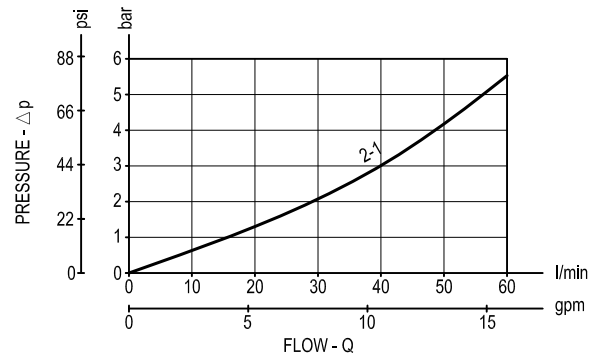
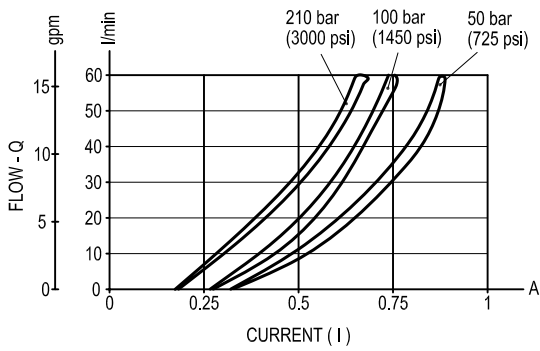
Dimensions

Proportional valves poppet type not compensated flow regulator



[mm (Inches)]

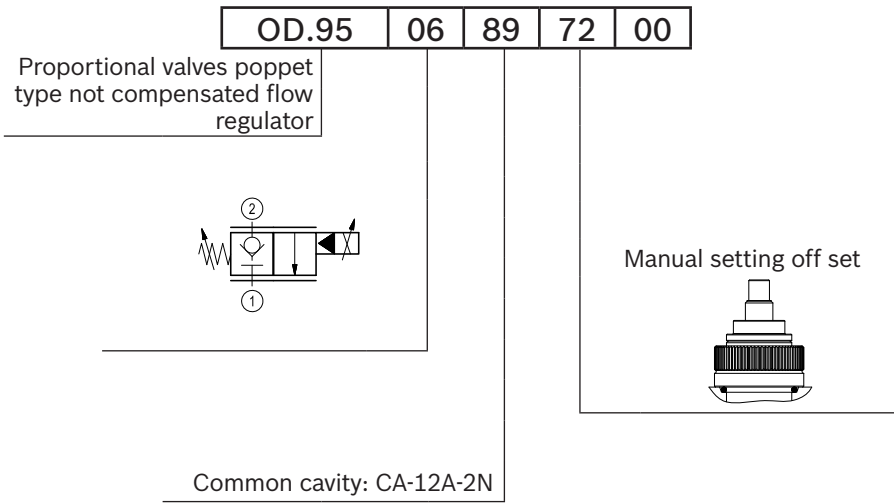
Performance graphs



	I	P bar (psi)	Coils
I min:	0.2	210 (3000)	12 DC
I max:	0.65	210 (3000)	12 DC
PMW Frequency: 120-150 Hz			
Hysteresis: < 5%			

Note: It is recommended to use coil 12 DC.

Ordering code



Type	Material number	Type	Material number
OD950689720000	R934001162		