

Hydraulic remote controls

RE 64 558/05.06 1/10

Replaces: 05.03

Type TH7



Type 1TH7Z



Type 1TH7QL



Type 2TH7Q

Series 1X



Type 2TH7N



Type 4TH7G

Contents

Functional description, symbol	2
Technical data	2
Ordering details	3
Unit dimensions	4 - 7
Characteristics curves	8 - 9

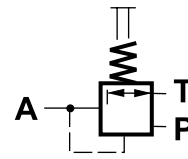
Features

- Progressive, sensitive operation
- Precise and play-free control

Functional description, symbol

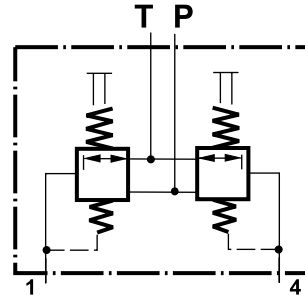
1TH7QL: Single acting hydraulic remote control, operation via one long pedal

1TH7Z: Single acting hydraulic remote control without operator

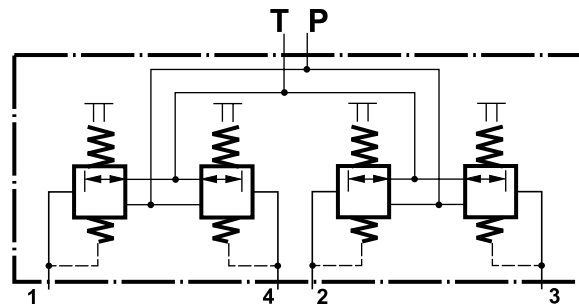


2TH7Q: Single acting hydraulic remote control, operation via two independent pedals

2TH7L, M, N, P: Double acting hydraulic remote control, operation via one side lever




4TH7G, H, J, K: Double acting hydraulic remote control, operation via two side levers



Technical data, mechanical (for applications outside these parameters, please consult us!)

Inlet pressure	bar	50
Back pressure at port T	bar	3
Pilot oil flow	l/min	up to 20
Hysteresis	bar	up to 1
Pressure fluid		
¹⁾ suitable for NBR seals		Mineral oil (HL, HLP) to DIN 51524 ¹⁾
²⁾ consult us		Phosphate ester (HFD-R) ²⁾
Pressure fluid temperature range	°C	- 20 to + 80
Viscosity range	mm ² /s	10 to 380
Degree of pressure fluid contamination		Max. permissible degree of contamination of the pressure fluid is to NAS 1638 class 9. We, therefore, recommend a filter with a minimum retention rate of $B_{10} \geq 75$.
Max. permissible operating torque at the pedals	Nm	20
Max. permissible actuation force at the plunger	N	88
Max. permissible operating torque at the levers	Nm	8
Weight	kg	3,2 (1TH7QL, 2TH7L, M, N, P)
	kg	1,2 (1TH7Z)
	kg	6,2 (2TH7Q)
	kg	3,5 (4TH7G, H, J, K)

Codification

		- 1X /			
1 control port:					
• long pedal	= 1TH7QL				SO.008 = Sea water resistant (only 2TH7L, 2TH7M, 4TH7G, 4TH7H) SO.198 = Plunger grommet (only 1TH7Z)
• Without operator	= 1TH7Z				
2 control ports:					Threaded ports 01 = G1/4 Pipe thread to standard ISO 228/1 05 = 9/16 UNF-2B UNF connection to ISO 11926
• 2 independent pedals	= 1TH7QL				
• 1 side lever, with spring return	= 2TH7L				Seals M = NBR seals  Attention! The compatibility of the seals and pressure fluid has to be taken into account
• 1 side lever, with spring return and detents in 3 positions	= 2TH7M				
• 1 side lever, with spring return, lockable in any position and release	= 2TH7N				
• 1 side lever, with spring return and can be fixed in any position by a friction clutch	= 2TH7P				
4 control ports:					1X= Series 10 to 19 Unchanged installation and connection dimensions (10 to 19)
• 2 side levers, with spring return	= 4TH7G				
• 2 side levers, with spring return and detents in 3 positions	= 4TH7H				
• 2 side levers, with spring return, lockable in any position and release	= 4TH7J				
• 2 side levers, with spring return and can be fixed in any position by a friction clutch	= 4TH7K				
		05, 06, 73, 91, 93 =		Control curve	

Application guidelines (these guidelines are not intended to be considered as complete)

- Do not direct the jet of a pressure washing unit directly at the unit.
- Replace worn rubber grommets.

Safety guidelines (these guidelines are not intended to be considered as complete)

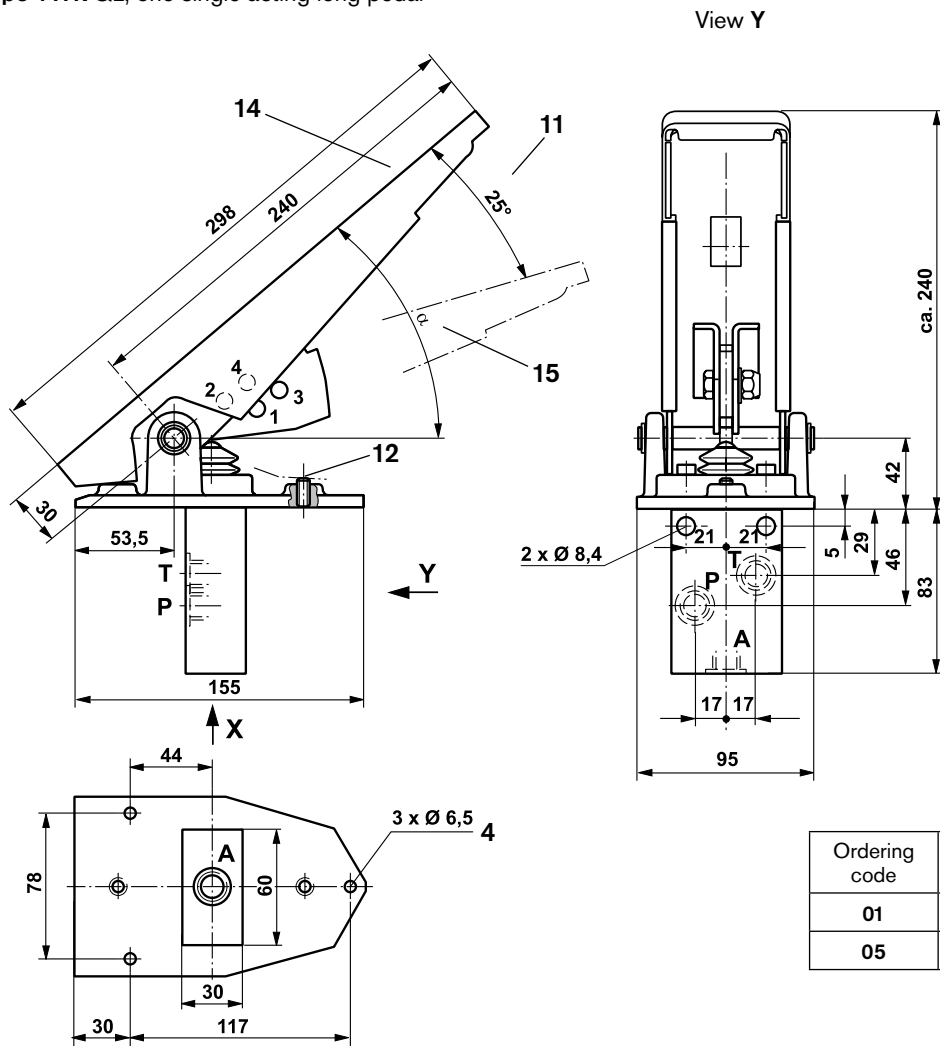
- Take into account all of the application limits, particularly those application limits stated within this catalogue sheet!

Installation guidelines

- Mounting flange area: flatness = 0.5 mm
- Screw head dimensions = Ø10 mm
- Tightening torque for the flange fixing screws = 10 Nm max.
- Tightening torque for the pipe connections = 30 Nm max.

Unit dimensions (dimensions in mm)

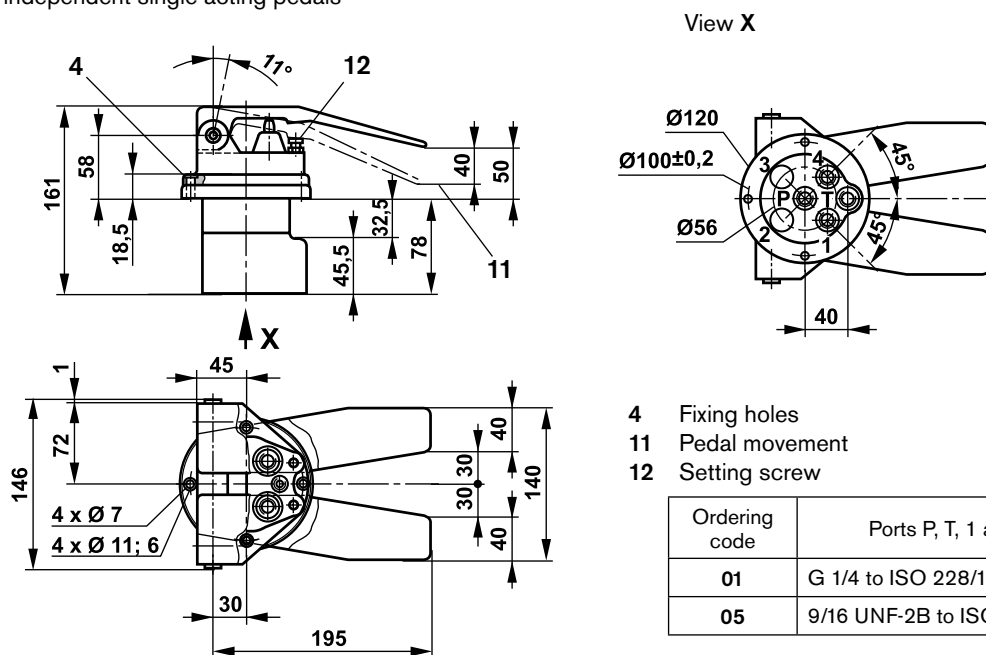
Type 1TH7QL, one single acting long pedal



- 4 Fixing holes
 - 11 Pedal movement
 - 12 Setting screw
 - 14 Anti-slip pedal surface
 - 15 Adjustable angle approx. every 5°:
- | Hole | α |
|------|----------|
| 1 | 25° |
| 2 | 30° |
| 3 | 35° |
| 4 | 40° |

Ordering code	Ports P, T, A
01	G 1/4 to ISO 228/1
05	9/16 UNF-2B to ISO 11926

Type 2TH7Q, 2 independent single acting pedals

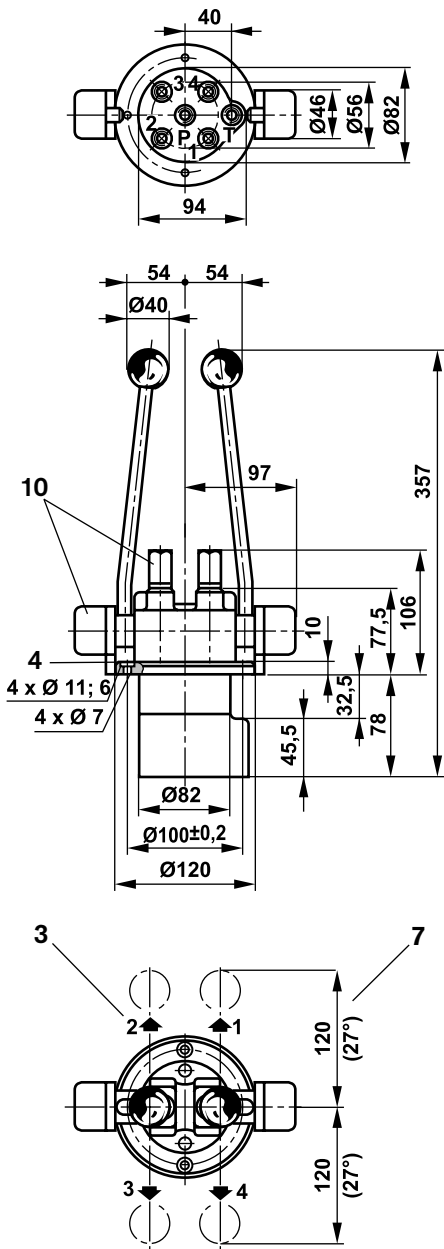


- 4 Fixing holes
- 11 Pedal movement
- 12 Setting screw

Ordering code	Ports P, T, 1 and 4
01	G 1/4 to ISO 228/1
05	9/16 UNF-2B to ISO 11926

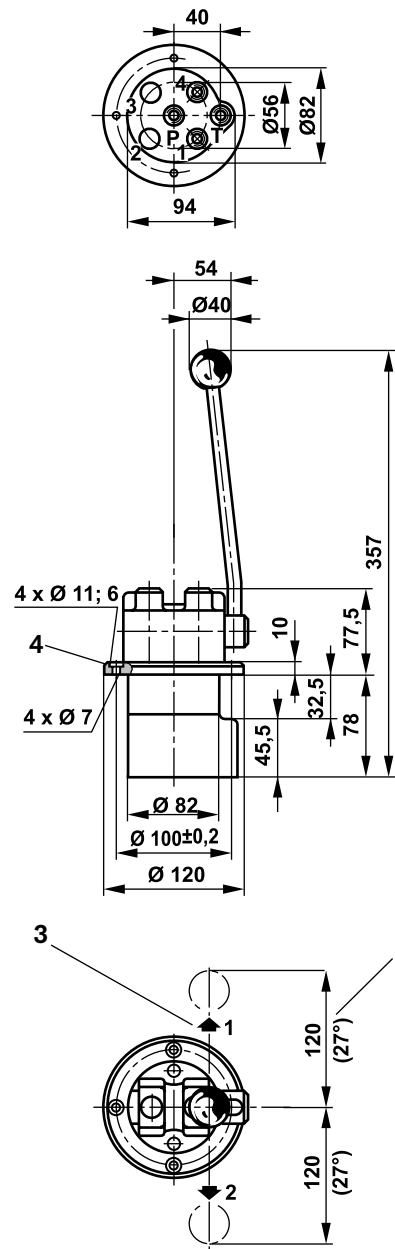
Unit dimensions (dimensions in mm)

Type K 2 side levers, spring return, can be fixed in any position by friction clutch



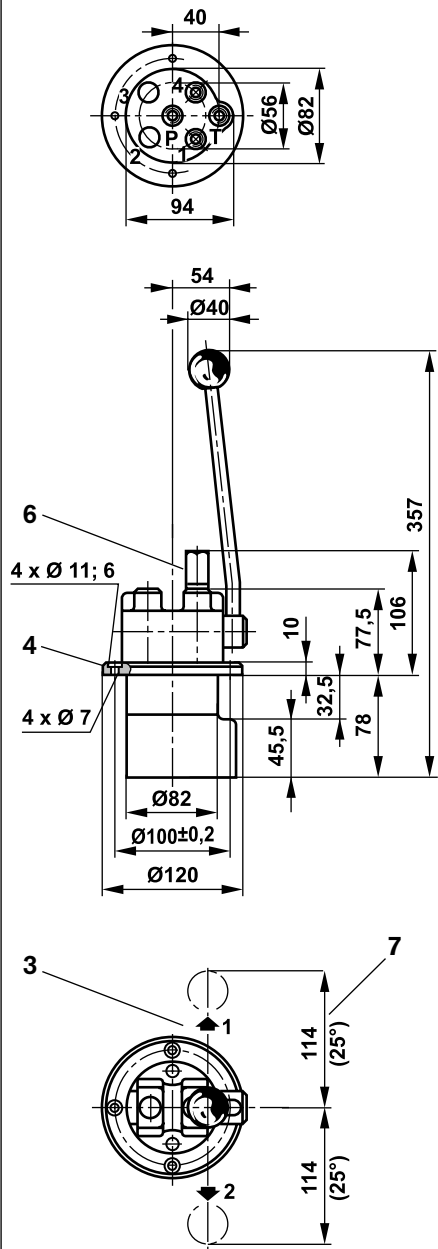
Ordering code	Ports P, T, 1, 2, 3 and 4
01	G 1/4 to ISO 228/1
05	9/16 UNF-2B to ISO 11926

Type L 1 side lever, spring return



Ordering code	Ports P, T, 1 and 4
01	G 1/4 to ISO 228/1
05	9/16 UNF-2B to ISO 11926

Type M 1 side lever, spring return, detents in 3 positions



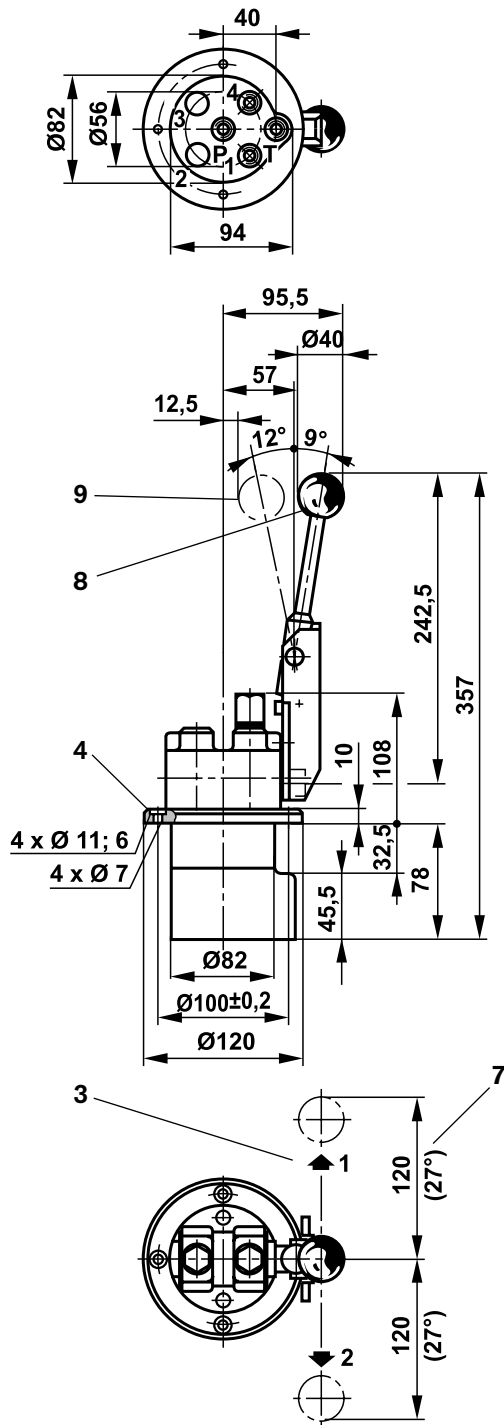
Ordering code	Ports P, T, 1 and 4
01	G 1/4 to ISO 228/1
05	9/16 UNF-2B to ISO 11926

- 3 Lever operation direction and control ports thereby influenced
- 4 Fixing holes
- 6 Detents in 3 positions (type M)

- 7 Lever deflection
- 10 Fixed in any position by friction clutch

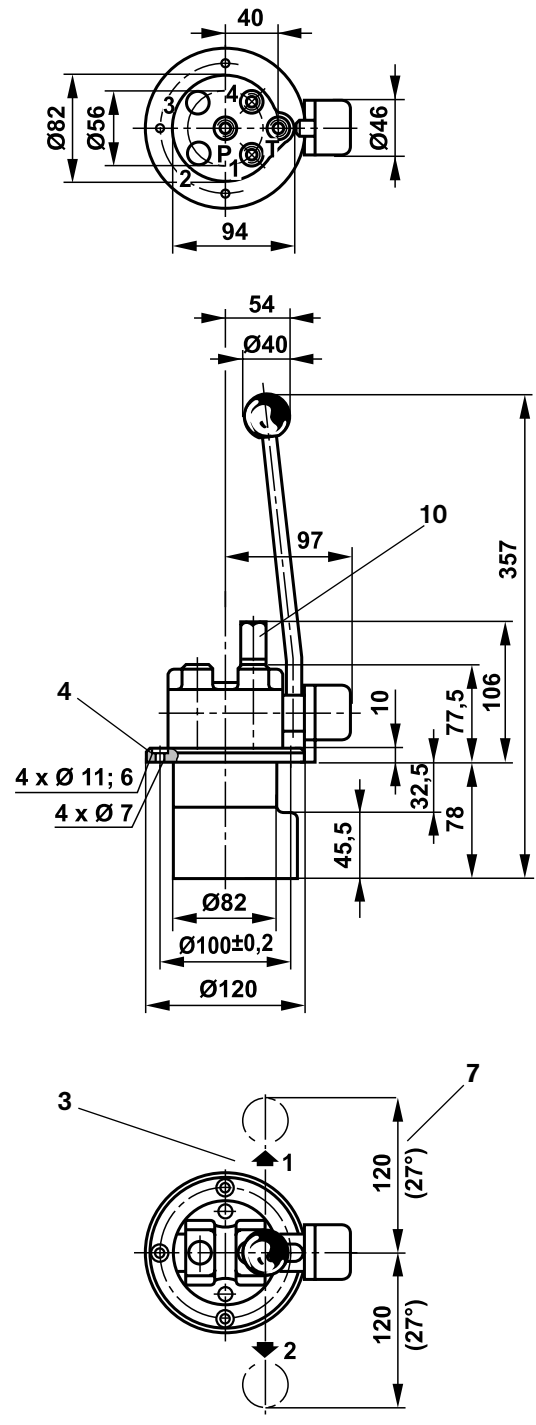
Unit dimensions (dimensions in mm)

Type N 1 side lever, spring return, with lock and release in any position



Ordering code	Ports P, T, 1 and 4
01	G 1/4 selon ISO 228/1
05	9/16 UNF-2B selon ISO 11926

Type P 1 side lever, spring return, can be fixed in any position by friction clutch



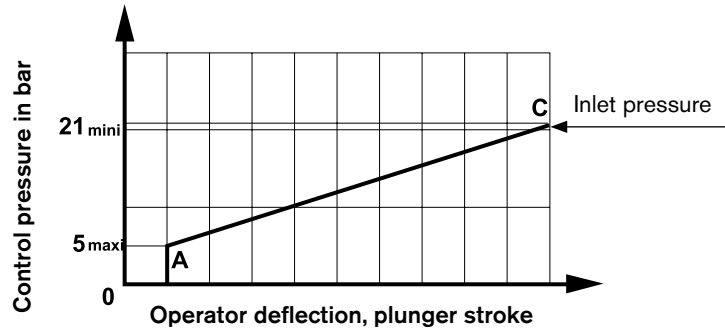
Ordering code	Ports P, T, 1 and 4
01	G 1/4 selon ISO 228/1
05	9/16 UNF-2B selon ISO 11926

- 3 Lever operation direction and control ports thereby influenced
- 4 Fixing holes
- 7 Lever deflection

- 7 Lever position locked
- 9 Lever position released
- 10 Fixed in any position by friction clutch

Characteristic curves: control ranges, actuation moments

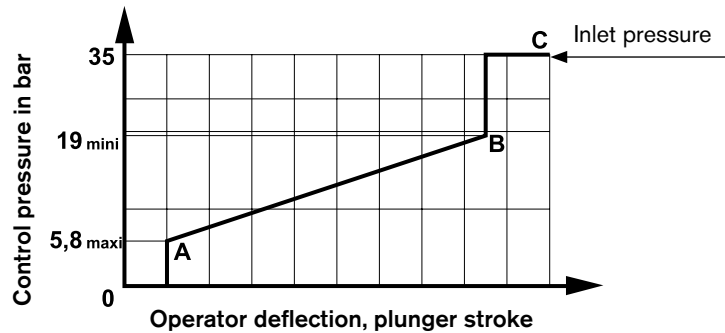
05 Control curve, identification no. 05



	1TH7QL			1TH7Z			2TH7Q			TH7 G/H/J/L/M/N			TH7 K/P		
Intersection point	A		C	A		C	A		C	A		C	A		C
Operator deflection (°)	4°55'		26°10'				1°50'		10°40'	4°40'		27°30'	4°40'		27°30'
Plunger stroke (mm)				1,6		9,2									
Actuation moment (Nm)	0,82		2,38				2,33		6,72	1,95		3,57			
Actuation force (N)				5,49		13,57									

06 Control curve, identification no. 06

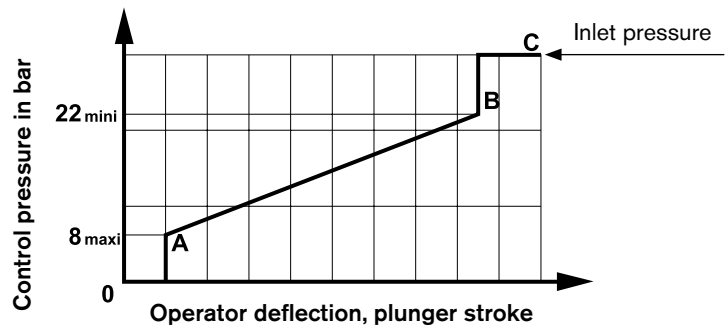
This curve is used for the pilot control of the SM12, SM18, M1 control blocks



	1TH7QL			1TH7Z			2TH7Q			TH7 G/H/J/L/M/N			TH7 K/P		
Intersection point	A	B	C	A	B	C	A	B	C	A	B	C	A	B	C
Operator deflection (°)	4°55'	20°30'	26°10'				1°50'	8°10'	10°40'	4°40'	21°20'	27°30'	4°40'	21°20'	27°30'
Plunger stroke (mm)				1,6	7,1	9,2									
Actuation moment (Nm)	0,86	2,29	2,66				2,42	6,48	7,53	1,17	3,33	3,63			
Actuation force (N)				6,57	12,80	18,96									

73 Control curve, identification no. 73

This curve is used for the pilot control of the SP12 control blocks



	1TH7QL			1TH7Z			2TH7Q			TH7 G/H/J/L/M/N			TH7 K/P		
Intersection point	A	B	C	A	B	C	A	B	C	A	B	C	A	B	C
Operator deflection (°)	4°55'	20°30'	26°10'				1°50'	8°10'	10°40'	4°40'	21°20'	27°30'	4°40'	21°20'	27°30'
Plunger stroke (mm)				1,6	7,1	9,2									
Actuation moment (Nm)	0,94	2,29	2,66				2,67	6,48	7,53	1,29	3,13	3,63			
Actuation force (N)				8,57	13,96	18,96									

Notes

Bosch Rexroth AG
Hydraulics
Produktsegment
Axialkolbenmaschinen
Werk Elchingen
Glockeraustraße 2
89275 Elchingen, Germany
Tel. +49 (0) 73 08 82-0
Fax. +49 (0) 73 08 72 74
info.brm-ak@boschrexroth.de
www.boschrexroth.com/brm

Bosch Rexroth DSI S.A.S.
BP 101
91, bd Irène Joliot-Curie
69634 Vénissieux Cedex, France
Tel. +33 (0) 4 78 78 52 52
Fax. +33 (0) 4 78 78 52 26
www.boschrexroth.fr

© This document, as well as the data, specifications and other information set forth in it, are the exclusive property of Bosch Rexroth AG. It may not be reproduced or given to third parties without its consent.

The data specified above only serve to describe the product. No statements concerning a certain condition or suitability for a certain application can be derived from our information. The information given does not release the user from the obligation of own judgment and verification. It must be remembered that our products are subject to a natural process of wear and ageing.

Subject to revision.

Notes

Bosch Rexroth AG
Hydraulics
Produktsegment
Axialkolbenmaschinen
Werk Elchingen
Glockeraustraße 2
89275 Elchingen, Germany
Tél. +49 (0) 73 08 82-0
Fax. +49 (0) 73 08 72 74
info.brm-ak@boschrexroth.de
www.boschrexroth.com/brm

Bosch Rexroth DSI S.A.S.
BP 101
91, bd Irène Joliot-Curie
69634 Vénissieux Cedex, France
Tél. +33 (0) 4 78 78 52 52
Fax. +33 (0) 4 78 78 52 26
www.boschrexroth.fr

© This document, as well as the data, specifications and other information set forth in it, are the exclusive property of Bosch Rexroth AG. It may not be reproduced or given to third parties without its consent.

The data specified above only serve to describe the product. No statements concerning a certain condition or suitability for a certain application can be derived from our information. The information given does not release the user from the obligation of own judgment and verification. It must be remembered that our products are subject to a natural process of wear and ageing.

Subject to revision.

Notes

Bosch Rexroth AG
Hydraulics
Produktsegment
Axialkolbenmaschinen
Werk Elchingen
Glockeraustraße 2
89275 Elchingen, Germany
Tél. +49 (0) 73 08 82-0
Fax. +49 (0) 73 08 72 74
info.brm-ak@boschrexroth.de
www.boschrexroth.com/brm

Bosch Rexroth DSI S.A.S.
BP 101
91, bd Irène Joliot-Curie
69634 Vénissieux Cedex, France
Tél. +33 (0) 4 78 78 52 52
Fax. +33 (0) 4 78 78 52 26
www.boschrexroth.fr

© This document, as well as the data, specifications and other information set forth in it, are the exclusive property of Bosch Rexroth AG. It may not be reproduced or given to third parties without its consent.

The data specified above only serve to describe the product. No statements concerning a certain condition or suitability for a certain application can be derived from our information. The information given does not release the user from the obligation of own judgment and verification. It must be remembered that our products are subject to a natural process of wear and ageing.

Subject to revision.