

New Fixed Displacement Industrial Hydraulic Power Packs

The Drive & Control Company



Designed for
Industrial
Applications . . .

Delivered in
Minimal Time . . .

Standard Features:

- Pressures up to 3000 PSI
- Flow: 0.4 to 10 GPM
- Fixed displacement pumps
- Electric Motor:
1/2 - 20 HP @ 1750 rpm
- System Relief Valve and Gauge
- 20µ absolute
In-tank return filter/filler/breather
- Check valve in pressure line
- In-tank return down line
- Tank Capacities: 2-1/2 to 20 gal.

Options:

- Bar manifold up to six stations
- Heat exchangers

Features & Benefits

Factory Built Units

The Rexroth standard power pack line has been designed to industrial standards and features a wide range of fixed displacement pumps along with an extensive line of motor and valve options. Available flow rates range from 0.4 to 10.0 GPM with 2.5, 5, 10, 15, and 20 gallon steel reservoirs. The availability of 1/2 to 20 HP electric motors, and optional bar manifolds with up to 6 valve stations (D03) will cover most standard applications. All standard power packs come supplied with our factory warranty and international serviceability.

Standard Power Packs

Each standard power pack is equipped with a fluid level indicator with thermometer, pressure line check valve, system relief with pressure gauge, auxiliary down line, and in-tank return filter. The return line filter includes a filler-breather, visual clogging indicator, and a 20µ absolute filter element.

Water or air cooled heat exchangers are available as an option to the standard power pack. Bar Manifolds with up to 6 valve stations (D03) are also available.

Electric Motors are standard TEFC, 1750 rpm, 3 phase. Single phase is available with 1/2, 3/4 and 1 HP.

Availability

The fixed displacement power pack is a pre-engineered power unit, and is fabricated from standard industrial grade hydraulic components and accessories. This allows Rexroth to offer competitively priced power units with a minimal delivery time. This also results in ease of maintenance and availability of replacement parts.

Operation

Fill reservoir with premium grade hydraulic fluid (Mobil DTE 26 or equivalent). Maintain fluid level at the top of the clear portion of the sight glass during machine operation. Electrical connections on the motor must conform to the motor nameplate. Rotation direction is checked by "jogging" the motor. (See Rexroth Data Sheet RA 07 900, attached to power pack, for complete start-up instructions.)

These units are designed to operate with working pressures up to 3000 PSI (210 Bar). Standard power packs are designed under the rigid standards of ISO 9001 and maintain the high standards of workmanship and dependability you expect from Rexroth. The ease of operation and low maintenance of the power pack provides years of quality performance without downtime or worry.



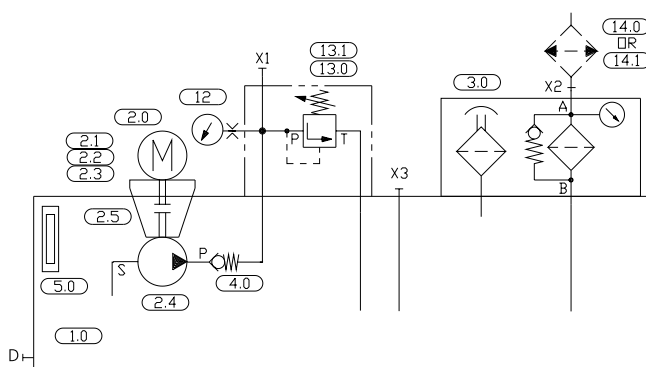
Fixed Displacement Power Pack Model Code

PP	*									
Power Pack									Directional and Modular Valves specified in clear text	
Reservoir Size									Optional Heat Exchanger	
2.5 Gallon (9.5 L) =									H1 = Water/Oil Type, all Sizes	
5 Gallon (19.0 L) =									H2 = Air/Oil Type,	
10 Gallon (38.0 L) =									Sizes 2.5 & 5 Gallon	
15 Gallon (57.0 L) =									H3 = Air/Oil Type,	
20 Gallon (76.0 L) =									Sizes 10, 15 & 20 Gallon	
Pump Size									Optional D03 Bar Manifold with Pressure Gauge and Relief Valve	
Pump Model = see Pages 3-7									BM1 = with 1 Station Bar Manifold	
Gear Pump Options Available:									BM2 = with 2 Station Bar Manifold	
Model P1 Sizes 4 to 17									BM3 = with 3 Station Bar Manifold	
Model G2 Sizes 004 to 022									BM4 = with 4 Station Bar Manifold	
									BM5 = with 5 Station Bar Manifold	
									BM6 = with 6 Station Bar Manifold	
Motor Horsepower = see pages 3-7									RV = Relief Valve & Pressure Gauge	
See basic unit table for horsepower (HP based on reservoir & pump size)										

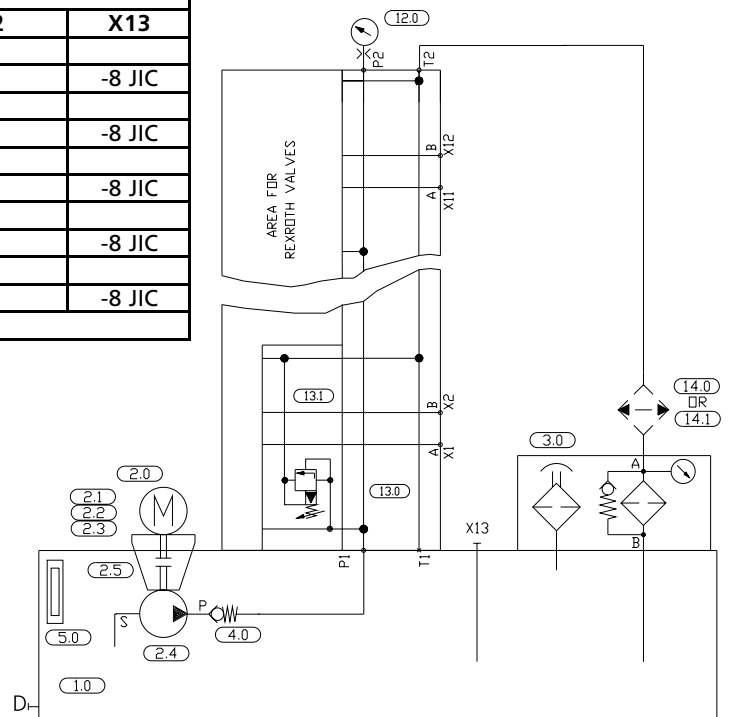
Example: PP 10 G2-005 3 BM3 H1

Circuits

Reservoir Size	RV Option			BM Option	
	Connections				
	X1	X2	X3	X1-X12	X13
2 1/2	-6 SAE	-12 SAE	-8 JIC	-8 SAE	-8 JIC
5	-6 SAE	-12 SAE	-8 JIC	-8 SAE	-8 JIC
10	-8 JIC	-12 SAE	-8 JIC	-8 SAE	-8 JIC
15	-12 JIC	-12 SAE	-8 JIC	-8 SAE	-8 JIC
20	-12 JIC	-12 SAE	-8 JIC	-8 SAE	-8 JIC
Reservoir Drain: -8 SAE					



RV Circuit

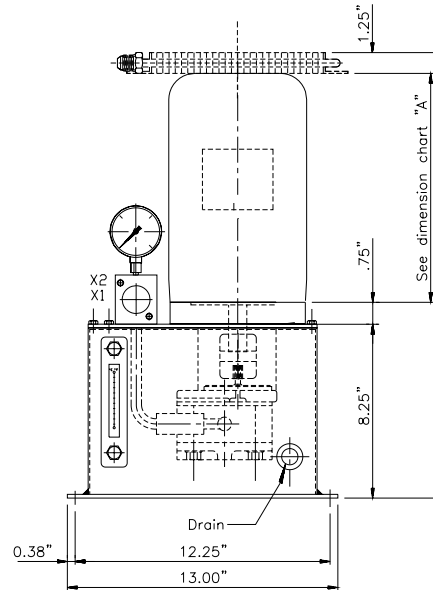
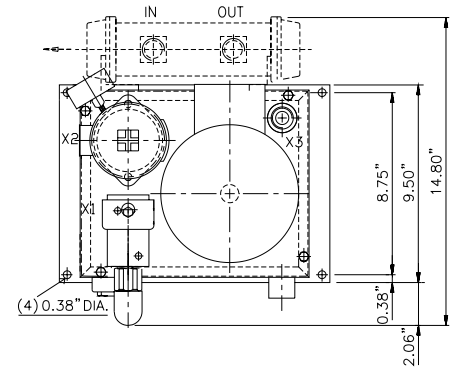


BM Circuit



Model PP2.5/P1-9/1/RV

2-1/2 Gallon Power Pack

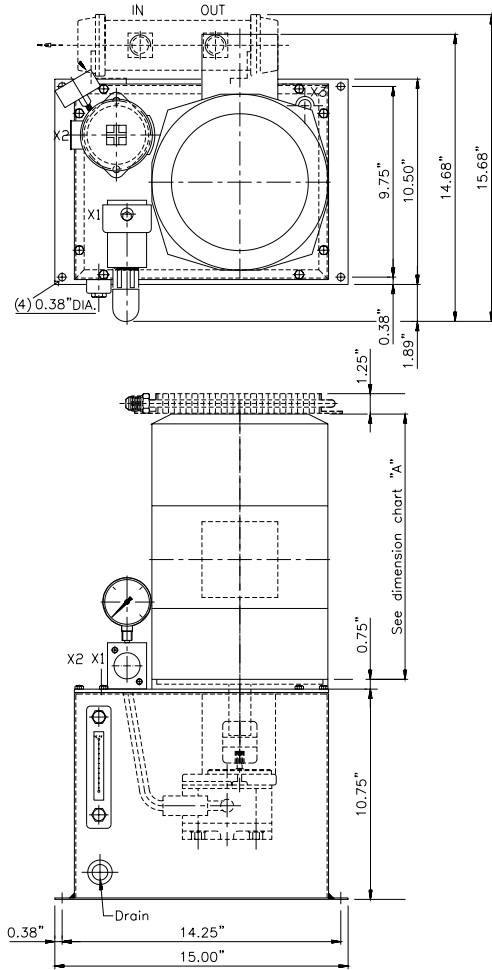


Electric Motor Dimension Chart				
Horsepower	RPM	Frame	Phase	"A"
1/2	1750	56C	Single	9.94"
1/2	1750	56C	3	9.32"
3/4	1750	56C	Single	10.44"
3/4	1750	56C	3	9.32"
1	1750	143TC	Single	11.18"
1	1750	143TC	3	9.93"
2	1750	145TC	3	11.25"

Model Code	Pump Model	Power* hp (kw)	Displacement in ³ /rev (cm ³ /rev)	Max. Flow GPM (L/min)	Max. Pressure PSI (bar)
PP2.5/P1-4/1	P1-4	1.0 (0.7)	0.05 (0.82)	0.4 (1.51)	3000 (210)
PP2.5/P1-9/1	P1-9	1.0 (0.7)	0.10 (0.16)	0.8 (3.02)	1800 (125)
PP2.5/P1-9/2	P1-9	2.0 (1.4)	0.10 (0.16)	0.8 (3.02)	3000 (210)
PP2.5/P1-13/1	P1-13	1.0 (0.7)	0.15 (2.45)	1.1 (4.15)	1300 (90)
PP2.5/P1-13/2	P1-13	2.0 (1.4)	0.15 (2.45)	1.1 (4.15)	2600 (180)
PP2.5/P1-17/1	P1-17	1.0 (0.7)	0.20 (3.27)	1.5 (5.67)	950 (65)
PP2.5/P1-17/2	P1-17	2.0 (1.4)	0.20 (3.27)	1.5 (5.67)	1900 (131)

* Standard motors: 3 phase, 60 hertz, 230/460 volts, 1750 RPM, TEFC
 Optional 3 phase motors: 1/2 and 3/4 horsepower
 Optional single phase, 60 hertz, 115/208/230 volts, 1750 RPM, TEFC motors: 1/2, 3/4, and 1 horsepower

5 Gallon Power Pack



Model PP5/G2-004/3/RV/H2

Electric Motor Dimension Chart				
Horsepower	RPM	Frame	Phase	"A"
1/2	1750	56C	Single	9.94"
1/2	1750	56C	3	9.32"
3/4	1750	56C	Single	10.44"
3/4	1750	56C	3	9.32"
1	1750	143TC	Single	11.18"
1	1750	143TC	3	9.93"
2	1750	145TC	3	11.25"
3	1750	182TC	3	12.56"
5	1750	184TC	3	13.93"

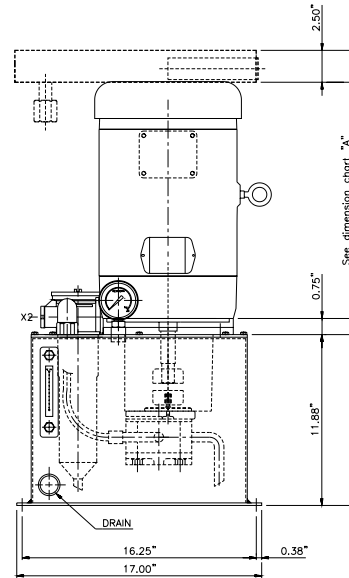
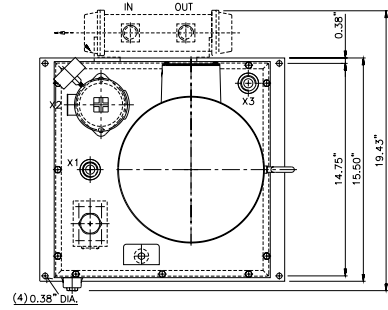
Model Code	Pump Model	Power* hp (kw)	Displacement in ³ /rev (cm ³ /rev)	Max. Flow GPM (L/min)	Max. Pressure PSI (bar)
PP5/P1-13/1	P1-13	1 (0.7)	0.15 (2.45)	1.1 (4.15)	1300 (90)
PP5/P1-17/2	P1-17	2 (1.4)	0.20 (3.27)	1.5 (5.67)	1900 (131)
PP5/G2-004/1	G2-004	1 (0.7)	0.24 (3.93)	1.8 (6.80)	800 (55)
PP5/G2-004/2	G2-004	2 (1.4)	0.24 (3.93)	1.8 (6.80)	1610 (110)
PP5/G2-004/3	G2-004	3 (2.2)	0.24 (3.93)	1.8 (6.80)	2420 (165)
PP5/G2-004/5	G2-004	5 (3.7)	0.24 (3.93)	1.8 (6.80)	2900 (200)
PP5/G2-005/1	G2-005	1 (0.7)	0.34 (5.57)	2.5 (9.46)	580 (40)
PP5/G2-005/2	G2-005	2 (1.4)	0.34 (5.57)	2.5 (9.46)	1160 (80)
PP5/G2-005/3	G2-005	3 (2.2)	0.34 (5.57)	2.5 (9.46)	1740 (120)
PP5/G2-005/5	G2-005	5 (3.7)	0.34 (5.57)	2.5 (9.46)	2900 (200)

* Standard motors: 3 phase, 60 hertz, 230/460 volts, 1750 RPM, TEFC
 Optional 3 phase motors: 1/2 and 3/4 horsepower
 Optional single phase, 60 hertz, 115/208/230 volts, 1750 RPM, TEFC motors: 1/2, 3/4, and 1 horsepower

10 Gallon Power Pack



Model PP10/G2-008/5/RV

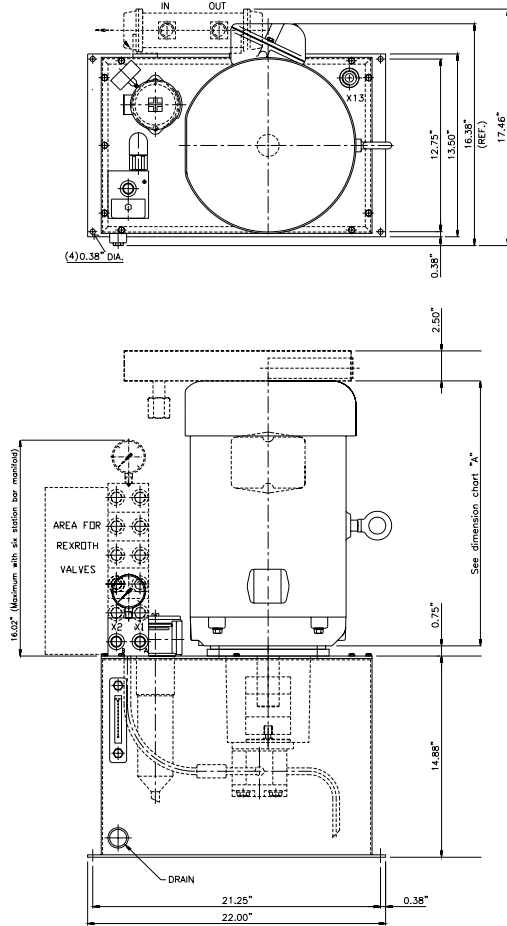


Electric Motor Dimension Chart				
Horsepower	RPM	Frame	Phase	"A"
1/2	1750	56C	Single	9.94"
1/2	1750	56C	3	9.32"
3/4	1750	56C	Single	10.44"
3/4	1750	56C	3	9.32"
1	1750	143TC	Single	11.18"
1	1750	143TC	3	9.93"
2	1750	145TC	3	11.25"
3	1750	182TC	3	12.56"
5	1750	184TC	3	13.93"
7-1/2	1750	213TC	3	15.06"
10	1750	215TC	3	16.43"

Model Code	Pump Model	Power* hp (kw)	Displacement in ³ /rev (cm ³ /rev)	Max. Flow GPM (L/min)	Max. Pressure PSI (bar)
PP10/G2-005/1	G2-005	1 (0.7)	0.34 (5.57)	2.5 (9.46)	580 (40)
PP10/G2-005/2	G2-005	2 (1.4)	0.34 (5.57)	2.5 (9.46)	1160 (80)
PP10/G2-005/3	G2-005	3 (2.2)	0.34 (5.57)	2.5 (9.46)	1740 (120)
PP10/G2-005/5	G2-005	5 (3.7)	0.34 (5.57)	2.5 (9.46)	2900 (200)
PP10/G2-008/2	G2-008	2 (1.4)	0.5 (8.20)	3.5 (13.25)	830 (55)
PP10/G2-008/3	G2-008	3 (2.2)	0.5 (8.20)	3.5 (13.25)	1240 (85)
PP10/G2-008/5	G2-008	5 (3.7)	0.5 (8.20)	3.5 (13.25)	2080 (140)
PP10/G2-008/7.5	G2-008	7.5 (5.5)	0.5 (8.20)	3.5 (13.25)	3000 (210)
PP10/G2-011/3	G2-011	3 (2.2)	0.68 (11.14)	5.0 (18.93)	870 (60)
PP10/G2-011/5	G2-011	5 (3.7)	0.68 (11.14)	5.0 (18.93)	1450 (100)
PP10/G2-011/7.5	G2-011	7.5 (5.5)	0.68 (11.14)	5.0 (18.93)	2180 (150)
PP10/G2-011/10	G2-011	10 (7.4)	0.68 (11.14)	5.0 (18.93)	2900 (200)

* Standard motors: 3 phase, 60 hertz, 230/460 volts, 1750 RPM, TEFC
 Optional 3 phase motors: 1/2 and 3/4 horsepower.
 Optional single phase, 60 hertz, 115/208/230 volts, 1750 RPM, TEFC motors: 1/2, 3/4, and 1 horsepower.

15 Gallon Power Pack



Model PP15/G2-011/7.5/BM1/H3

- Note:
- Valves must be specified separately
 - Flow control modules must be designated M/O or M/I

Electric Motor Dimension Chart				
Horsepower	RPM	Frame	Phase	"A"
2	1750	145TC	3	11.25"
3	1750	182TC	3	12.56"
5	1750	184TC	3	13.93"
7-1/2	1750	213TC	3	15.06"
10	1750	215TC	3	16.43"
15	1750	254TC	3	19.66"

Model Code	Pump Model	Power* hp (kw)	Displacement in ³ /rev (cm ³ /rev)	Max. Flow GPM (L/min)	Max. Pressure PSI (bar)
PP15G2-008/2	G2-008	2 (1.4)	0.5 (8.20)	3.5 (13.25)	830 (55)
PP15/G2-008/3	G2-008	3 (2.2)	0.5 (8.20)	3.5 (13.25)	1240 (85)
PP15/G2-008/5	G2-008	5 (3.7)	0.5 (8.20)	3.5 (13.25)	2080 (140)
PP15/G2-008/7.5	G2-008	7.5 (5.5)	0.5 (8.20)	3.5 (13.25)	3000 (210)
PP15/G2-011/3	G2-011	3 (2.2)	0.68 (11.14)	5.0 (18.93)	870 (60)
PP15/G2-011/5	G2-011	5 (3.7)	0.68 (11.14)	5.0 (18.93)	1450 (100)
PP15/G2-011/7.5	G2-011	7.5 (5.5)	0.68 (11.14)	5.0 (18.93)	2180 (150)
PP15/G2-011/10	G2-011	10 (7.4)	0.68 (11.14)	5.0 (18.93)	2900 (200)
PP15/G2-016/5	G2-016	5 (3.7)	0.99 (16.23)	7.5 (28.39)	970 (65)
PP15/G2-016/7.5	G2-016	7.5 (5.5)	0.99 (16.23)	7.5 (28.39)	1450 (100)
PP15/G2-016/10	G2-016	10 (7.4)	0.99 (16.23)	7.5 (28.39)	1940 (135)
PP15/G2-016/15	G2-016	15 (11.1)	0.99 (16.23)	7.5 (28.39)	2900 (200)

* Standard motors: 3 phase, 60 hertz, 230/460 volts, 1750 RPM, TEFC.

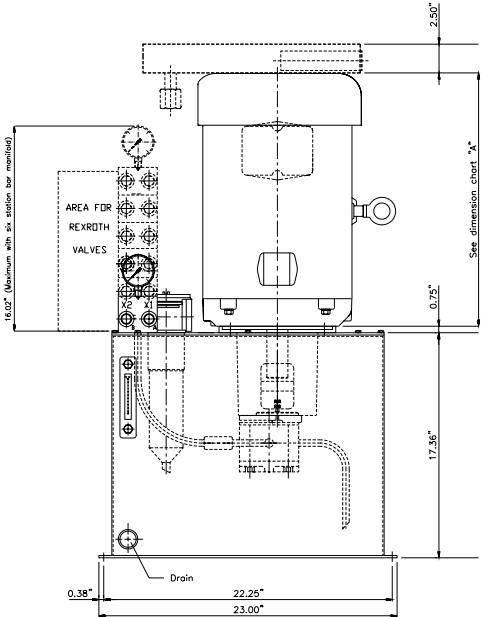
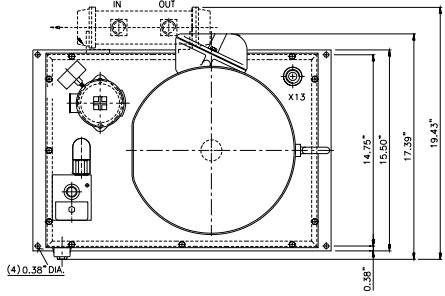
20 Gallon Power Pack



Model PP20/G2-016/10/BM4/H1

- Note:
- Valves must be specified separately
 - Flow control modules must be designated M/O or M/I

Electric Motor Dimension Chart				
Horsepower	RPM	Frame	Phase	"A"
3	1750	182TC	3	12.56"
5	1750	184TC	3	13.93"
7-1/2	1750	213TC	3	15.06"
10	1750	215TC	3	16.43"
15	1750	254TC	3	19.66"
20	1750	256TC	3	19.88"



Model Code	Pump Model	Power* hp (kw)	Displacement in ³ /rev (cm ³ /rev)	Max. Flow GPM (L/min)	Max. Pressure PSI (bar)
PP20/G2-011/3	G2-011	3 (2.2)	0.68 (11.14)	5.0 (18.93)	870 (60)
PP20/G2-011/5	G2-011	5 (3.7)	0.68 (11.14)	5.0 (18.93)	1450 (100)
PP20/G2-011/7.5	G2-011	7.5 (5.5)	0.68 (11.14)	5.0 (18.93)	2180 (150)
PP20/G2-011/10	G2-011	10 (7.4)	0.68 (11.14)	5.0 (18.93)	2900 (200)
PP20/G2-016/5	G2-016	5 (3.7)	0.99 (16.23)	7.5 (28.39)	970 (65)
PP20/G2-016/7.5	G2-016	7.5 (5.5)	0.99 (16.23)	7.5 (28.39)	1450 (100)
PP20/G2-016/10	G2-016	10 (7.4)	0.99 (16.23)	7.5 (28.39)	1940 (135)
PP20/G2-016/15	G2-016	15 (11.1)	0.99 (16.23)	7.5 (28.39)	2900 (200)
PP20/G2-022/7.5	G2-022	7.5 (5.5)	1.37 (22.45)	10.0 (37.85)	1090 (75)
PP20/G2-022/10	G2-022	10 (7.4)	1.37 (22.45)	10.0 (37.85)	1450 (100)
PP20/G2-022/15	G2-022	15 (11.1)	1.37 (22.45)	10.0 (37.85)	2180 (150)
PP20/G2-022/20	G2-022	20 (14.9)	1.37 (22.45)	10.0 (37.85)	2900 (200)

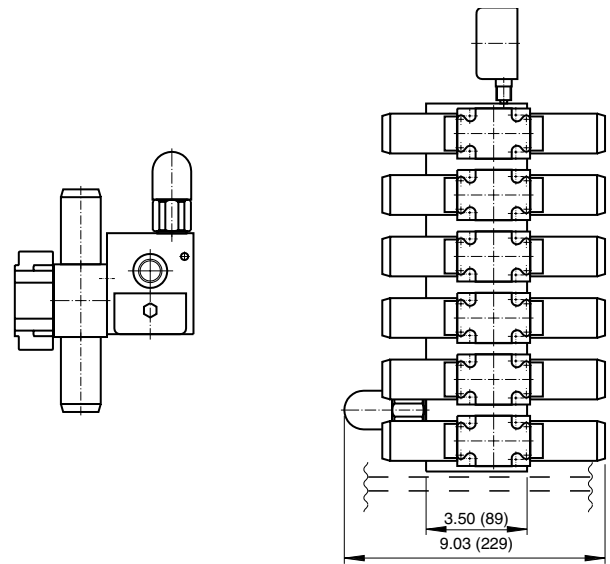
* Standard motors: 3 phase, 60 hertz, 230/460 volts, 1750 RPM, TEFC.

Return Filter

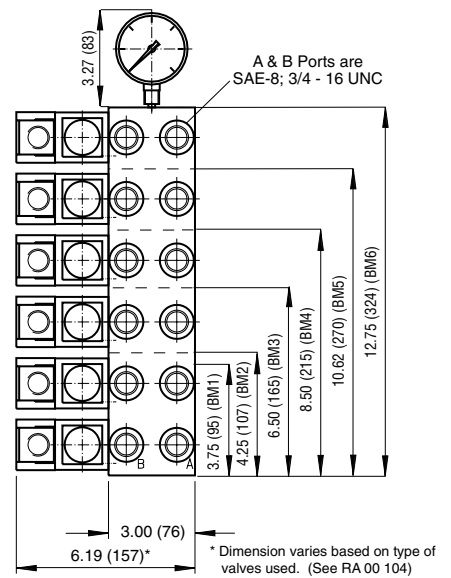


Filter Replacement Element
 2-1/2 and 5 gallon units: US00889083
 10, 15 and 20 gallon units: US00889084

Optional Bar Manifold

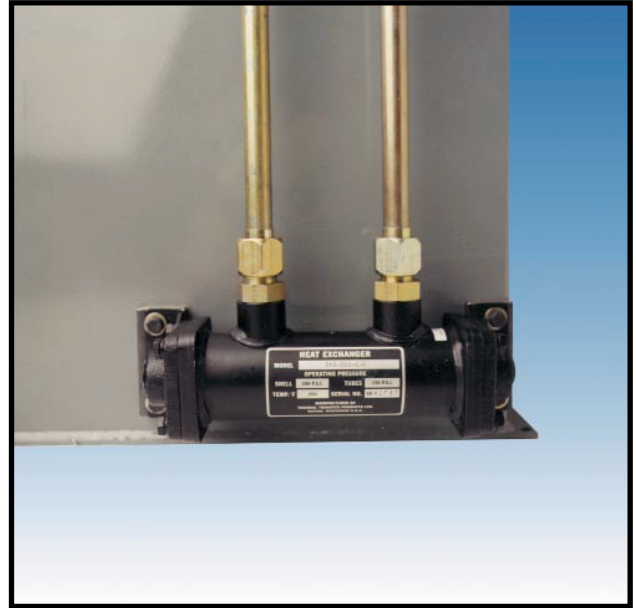
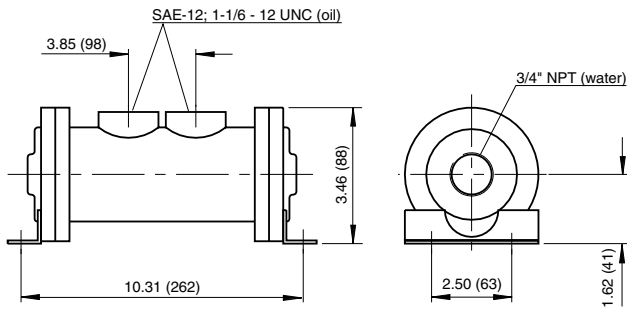


Relief Valve with Pressure Gauge



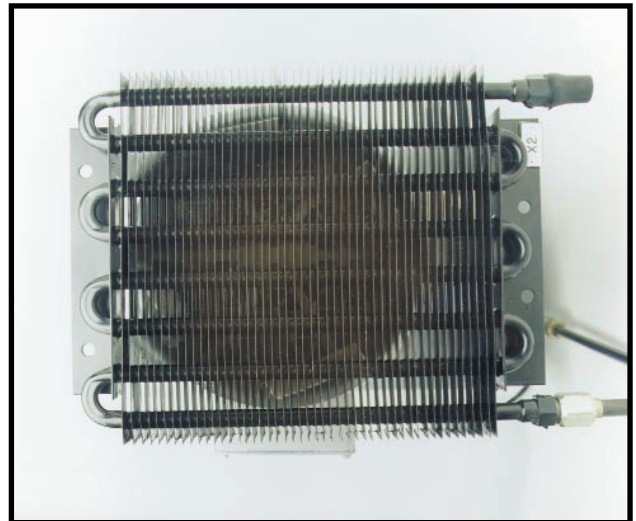
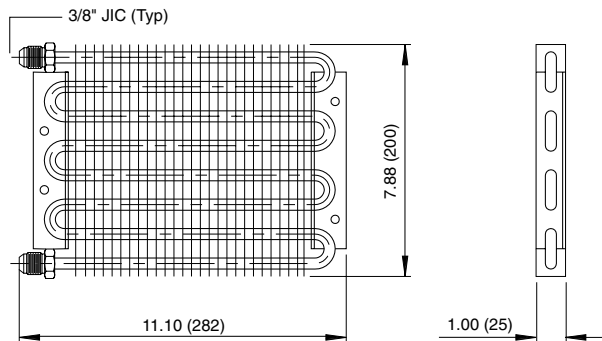
Water/Oil Type

Code	Heat Exchanger	Size (gallons)
H1	P/N US00884023	2-1/2 - 20

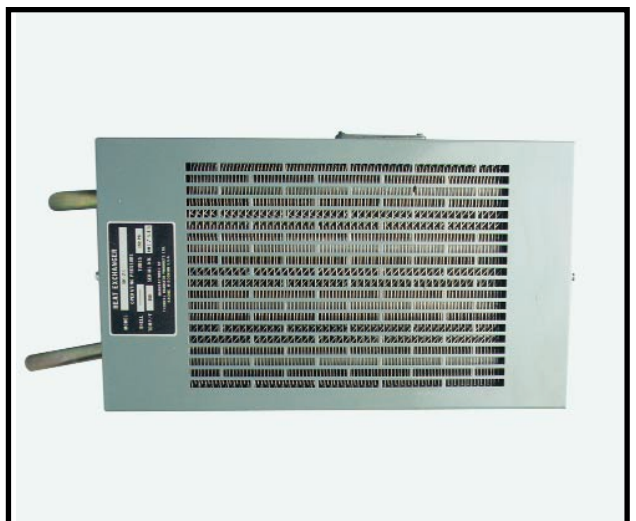
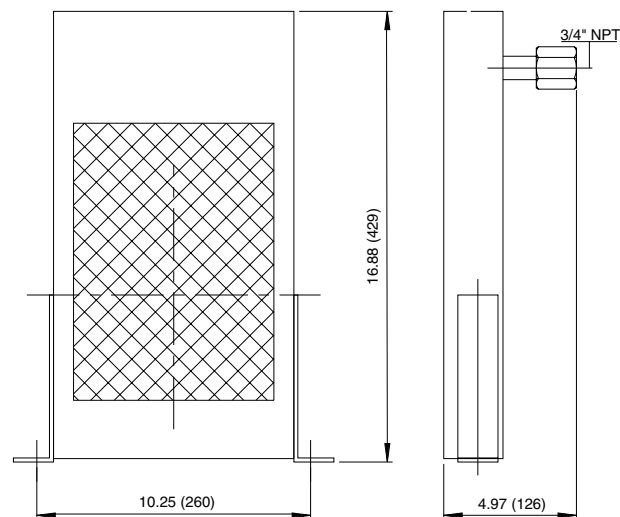


Air/Oil Type

Code	Heat Exchanger	Size (gallons)
H2	P/N US00809109	2-1/2 & 5



Code	Heat Exchanger	Size (gallons)
H3	P/N US00808140	10 - 20



Design, Fabricating and Testing



Bosch Rexroth Corporation
Industrial Hydraulics
2315 City Line Road
Bethlehem, PA 18017-2131
Telephone (610) 694-8300
Facsimile (610) 694-8467
www.boschrexroth-us.com

Bosch Rexroth Corporation
Corporate Headquarters
5150 Prairie Stone Parkway
Hoffman Estates, IL 60192-3707
Telephone (847) 645-3600
Facsimile (847) 645-6201

Bosch Rexroth Corporation
Electric Drives and Controls
5150 Prairie Stone Parkway
Hoffman Estates, IL 60192-3707
Telephone (847) 645-3600
Facsimile (847) 645-6201

Bosch Rexroth Corporation
Linear Motion and
Assembly Technologies
816 E. Third Street
Buchanan, MI 49107
Telephone (616) 695-0151
Facsimile (616) 695-5363

Bosch Rexroth Corporation
Pneumatics
1953 Mercer Road
Lexington, KY 40511-1021
Telephone (859) 254-8031
Facsimile (859) 281-3491

Bosch Rexroth Corporation
Mobile Hydraulics
1700 Old Mansfield Road
Wooster, OH 44691-0394
Telephone (330) 263-3300
Facsimile (330) 263-3333

RA 09 788/10.99
Replaces: 03.98

Printed in the United States