

# Precision Modules PSK Gen 2

**Rexroth Precision Modules are precise, ready-to-install linear motion systems that combine high performance with compact dimensions. Rexroth offers favorable price/performance ratios and fast delivery.**

## STEEL HOUSING CONSTRUCTION

More rigid construction enables more stable travel motion, improved endpoint accuracy and reduced vibration.

## IMPROVED SEALING

Ball screw and linear carriage assembly sealed from both sides with Rexroth ball screw assembly seals, significantly reducing risk of lubricants escaping from module and keeps contaminants out.

## BALL SCREW-DRIVEN MOTION

Supports precise, high-speed motion: travel speeds up to 1.6 meters per second, endpoint accuracy up to 0.01 mm and repeatability up to 0.005 mm.

## ENHANCED LUBRICATION OPTIONS

Support for standard industrial lubrication, LSS and LSC lubricants for clean room applications and integrated connections to centralized lubrication systems.

## COMPACT DIMENSIONS/ MULTIPLE SIZES

Engineered to fit into tight machine spaces on machine tools, electronics manufacturing systems; three different size options available.

## MACHINED REFERENCE EDGE

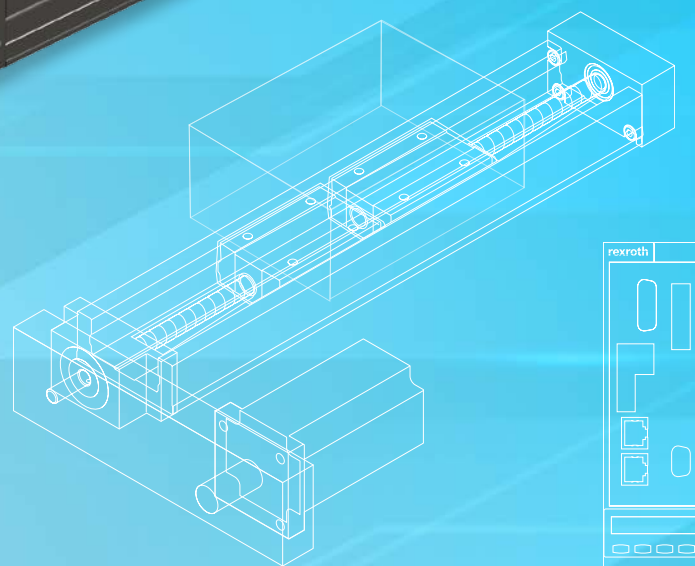
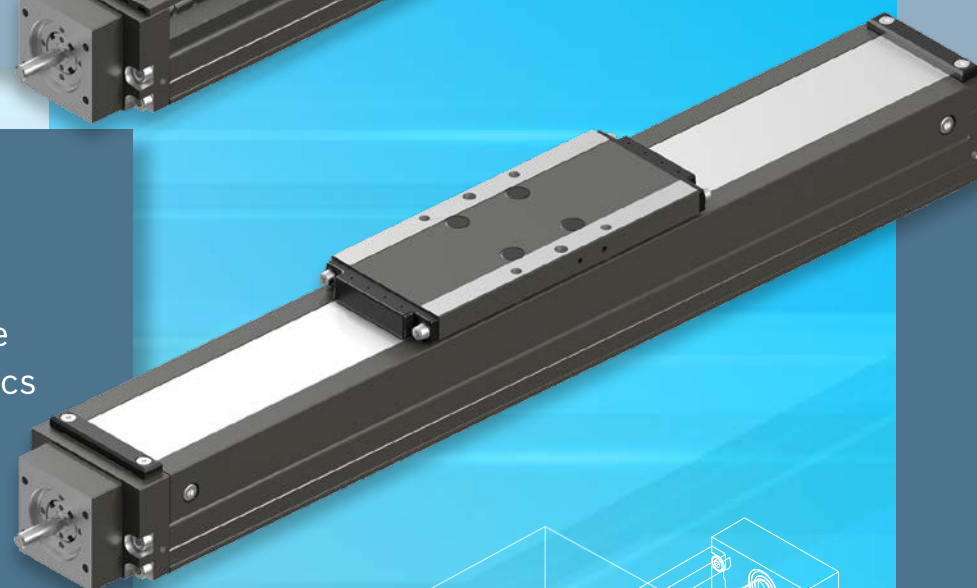
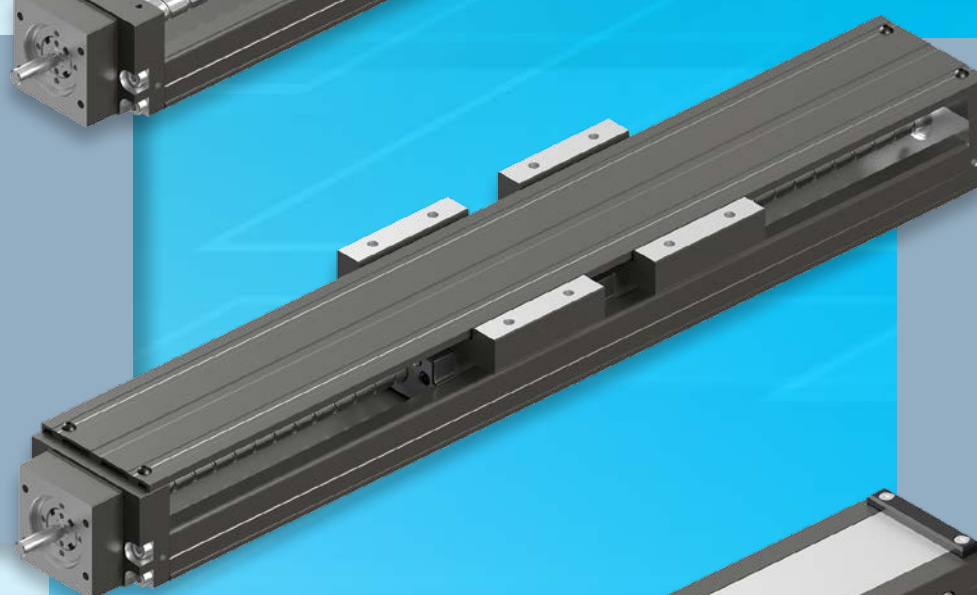
Machined reference edge can be placed on either side of the frame to facilitate rapid machined mounting and easy aligning.

## LINEAR GUIDES WITH BALL RECIRCULATION IN RUNNER BLOCKS

By optimizing ball recirculation inside the runner block as it travels along the rail at key transition points, PSK Gen 2 consistently features extremely smooth motion in the bearing raceways.

## ONLINE CONFIGURATION TOOL

Easy-to-use, step-by-step online sizing and configuration tool helps machine designers configure and order the right modules faster.



**Bosch Rexroth Corporation**  
Contact a PSK Expert – [info@boschrexroth-us.com](mailto:info@boschrexroth-us.com)

For more information:  
[www.boschrexroth-us.com/psk](http://www.boschrexroth-us.com/psk)

**rexroth**  
A Bosch Company