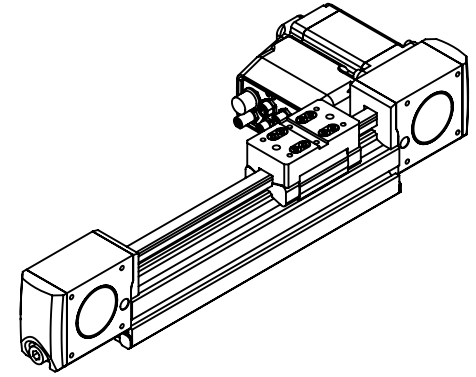
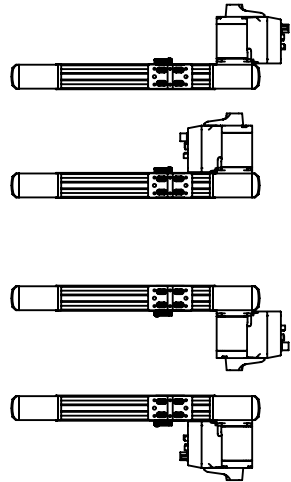
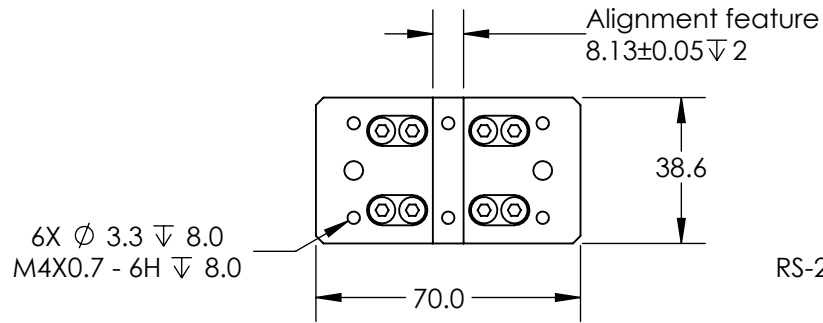


SHB40-C
dimensions in mm

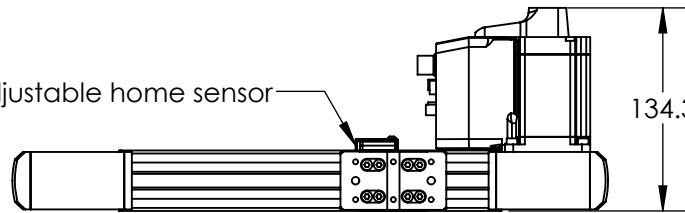


| Model Number | Travel | L |
|--------------|--------|------|
| SHB40-0100-C | 100 | 250 |
| SHB40-0150-C | 150 | 300 |
| SHB40-0200-C | 200 | 350 |
| ... | ... | ... |
| SHB40-2000-C | 2000 | 2150 |

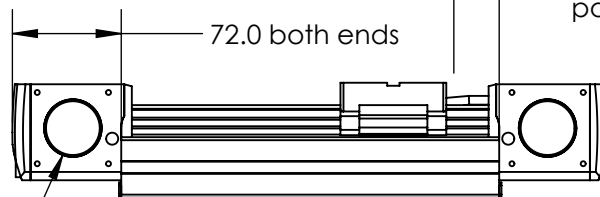


Motor orientation can be adjusted during installation

Adjustable home sensor



30.0 inaccessible at each end for hidden hard limits



Removable covers

L
[Travel + 150 mm]
(SHB40-0100-C shown)

RS-232 next + power
M8 4-pin female

RS-232 prev + power
M8 4-pin male

Power 24-48 Vdc terminal block 2-pin 5 mm pitch

Indexed speed or position control knob

IO and E-stop
M8 6-pin male

Home sensor
M5 4-pin female

Away sensor
M5 4-pin female

