

**Explore More Service**

**Field service for transfer systems**



# Our Service – Your Benefits

## 1 WE GET YOU STARTED

Rexroth field service can help you get your machines up and running quickly and correctly from the very beginning. Initial training helps your team to operate and maintain equipment as new.



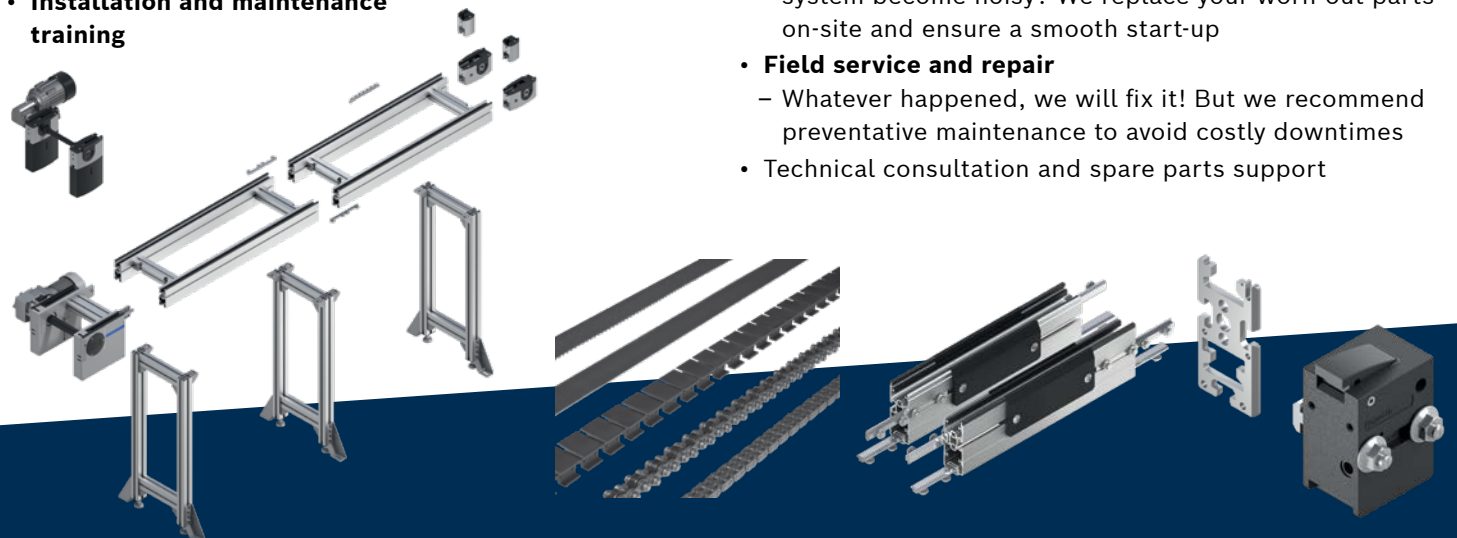
## 2 WE KEEP YOU MOVING

With your equipment up and running, Rexroth experts assist you with preventative maintenance and field service support to keep your machines running.



- **Complete on-site assembly or installation supervision**
  - The quickest way to get set up is with our experts on-site
  - Installation support tailored to your needs and team available
- Recommended spare parts
  - With over 40 years of experience, our experts know which spare parts you'll need on hand to keep you running
- **Installation and maintenance training**

- **Preventative maintenance**
  - Avoid costly machine downtime
  - **We inspect your system on a regular basis and identify necessary adjustments to prevent the hassle of an emergency fix**
- Replacement of belts, chains, guides and bearings
  - Is your chain worn out, your belt lurching, or has your system become noisy? We replace your worn-out parts on-site and ensure a smooth start-up
- **Field service and repair**
  - Whatever happened, we will fix it! But we recommend preventative maintenance to avoid costly downtimes
- Technical consultation and spare parts support



## 3 WE KEEP YOU EFFICIENT

Rexroth field service technicians are here to keep your machine running optimally with tune-ups and modifications to suit your needs.

- **Conveyor module alignment and adjustment**
- **Conveyor “Tune-Up” evaluation & service**
  - After running your conveyor for multiple years, keep going with a tune-up!
  - Conveyor tune-ups can include replacement of belts, chains, guides, and bearings (wear parts) as well as gearboxes, motors, lift and transfer units
    - Benefit from higher productivity, energy efficiency, and lower noise level
    - Ensures reliability when running more shifts or higher volume products
  - **Upgrade your transfer media**
    - Changing from belt to flat top or to roller chain enable you to run heavier products or run your products faster
    - Upgrade to latest innovations and state-of-the-art technology
- Modifications and replacements
  - **Looking to use your existing line for a new product?**  
We can help you adapt it to your new needs
- **Spare part inventory evaluation**
  - We have a look into your inventory parts and levels
  - You can focus on running your production!



# We make your life easier – with our Service Contracts



**Take the guesswork out of maintenance – our experts will give you peace of mind that your equipment will stay up and running, so you can focus on what’s important.**

### Levels of service contracts available:

#### Essential

- Spare parts stock proposal
- Annual or bi-annual preventative maintenance
- Technical support and help desk

#### Advanced

- Includes everything from the essential package
- Annual inventory evaluation
- Two year warranty extension
- Conveyor module alignment & adjustment
- Conveyor tune-up evaluation

#### Premium

- Includes everything from the advanced and essential packages
- Field service included
- Spare parts included
- Belt, chain, guides, and bearings included
- Three year warranty extension

#### Customized

- Create your own service package customized to your individual need

**Bosch Rexroth Corporation**

Corporate Headquarters  
14001 South Lakes Drive  
Charlotte, NC 28273  
Telephone (800) REXROTH  
(800) 739-7684  
info@boschrexroth-us.com  
www.boschrexroth-us.com

**Bosch Rexroth Corporation**

Assembly Technology  
Sales and Service for conveyors, aluminum framing,  
and lean manufacturing systems  
3737 Red Arrow Highway  
St. Joseph, MI 49085  
technicalservice@boschrexroth-us.com

**Find your local contact person here:**

[www.boschrexroth-us.com/contactus](http://www.boschrexroth-us.com/contactus)

