

From
DC-IA/SPF75

Our Reference

Telephone

Telefax

Stuttgart
22 May 2012

Memo

Recipient

Cc

Getting product information for an order list

In this document the process is described to obtain and save product information like CAD models, data sheets and assembly instructions for products from the order list.

Table of contents

1	Introduction.....	2
2	Display product data of an individual order list entry	2
3	Collect product information for several order list entries.....	4

From
DC-IA/SPF75

Our Reference

Telephone

Telefax

Stuttgart
22 May 2012

Memo

Getting product information for an order list

1 Introduction

In MTpro long order lists can be generated either manually or automatically by using Layout Designer. The individual positions in an order list are linked to the product catalog, so that CAD models and other product information can be invoked from the order list. In addition there is a function in MTpro to automatically generate and save documents and models of the selected order list entries.

2 Display product data of an individual order list entry

In the “Designation” field of each line in the order list there is a hyperlink to the product/CAD configurator of that part.

No.	Q...	Pac...	Article no.	Designation	Parameter	Comm...	Weight	Produc...	Stat. article n...
1	12	1	M3842523918	ACCUMULATION ROLLER CHAIN, POLYAMID...	L_M= 300MM L= 12000MM			TS2	73151190
1	1	1	M3842523918	ACCUMULATION ROLLER CHAIN, POLYAMID...	L_M= 52640MM L= 12000MM			TS2	73151190
1	12	1	M3842523918	ACCUMULATION ROLLER CHAIN, POLYAMID...	L_M= 950MM L= 12000MM			TS2	73151190
3	2	1	3842999894	EQ 2/TR ELECTRICAL TRANSVERSE CONVEY...	BL= 320MM; BQ= 480MM; A= 90MM; WN= 12M/ MIN; U= 400V; F= 50HZ; AT= K			TS2	84313900
5	2	1	3842994889	ST 2/R-100 SECTION	L= 1080MM			TS2	84313900
5	1	1	M3842523918	ACCUMULATION ROLLER CHAIN, POLYAMID...	L_M= 16640MM L= 12000MM			TS2	73151190
11	6	1	3842528192	CONNECTING KIT	AS2/ U= 2/ BS2/ BS4/ KU2 - ST2/ SP2;		0,450 kg	TS2	85444290
11	7	1	3842528807	UM 2/R-170 RETURN UNIT	B= 480MM		3,930 kg	TS2	84313900
11	16	1	3842994635	QV 2 CROSS CONNECTOR	B= 480MM			TS2	84313900
11	2	1	3842994889	ST 2/R-100 SECTION	L= 660MM			TS2	84313900
11	5	1	3842998052	AS 2/R-300 DRIVE MODULE	B= 480MM; WN= 12M/ MIN; U= 400V; F= 50HZ; AT= K; MA= M; MM= 0°; RV= 0			TS2	84313900
11	2	1	M3842523918	ACCUMULATION ROLLER CHAIN, POLYAMID...	L_M= 2640MM L= 12000MM			TS2	73151190

With a click on the hyperlink, the part is loaded into the configurator and the resulting order information is displayed in the “parts list” window.

From
DC-IA/SPF75

Our Reference

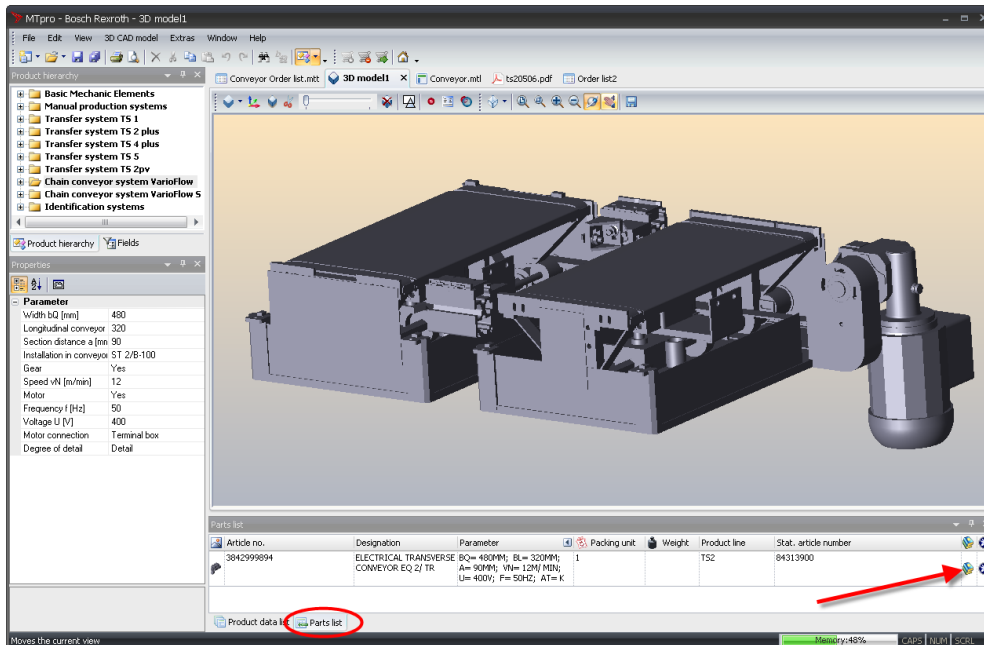
Telephone

Telefax

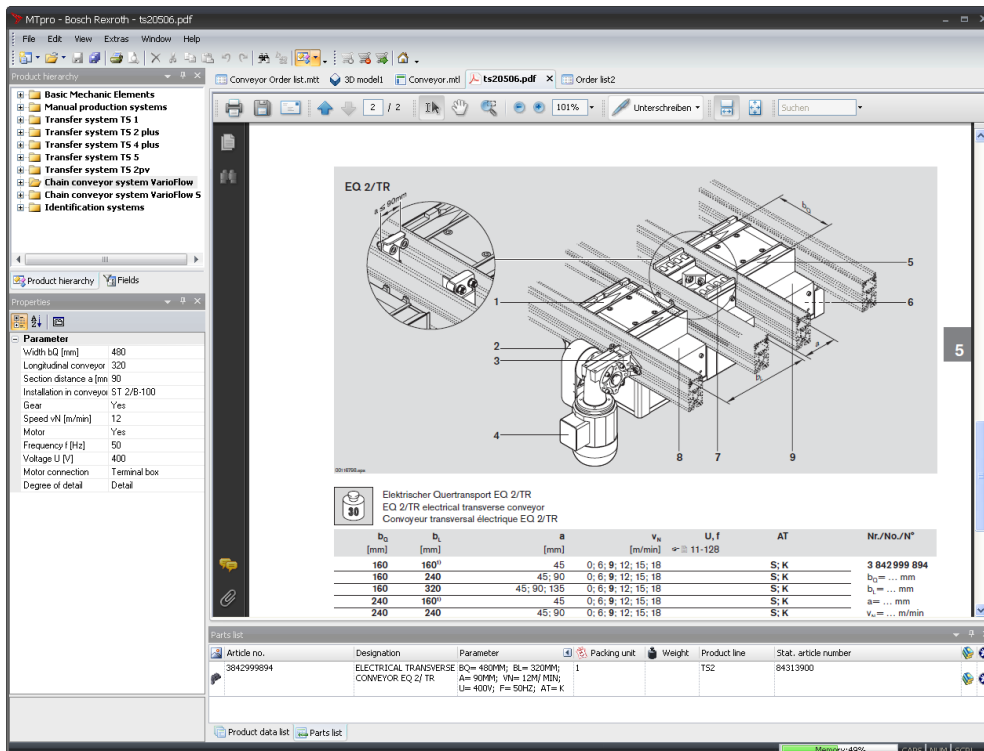
Stuttgart
22 May 2012

Memo

Getting product information for an order list



Like in the product catalog there are symbols to invoke the product data sheet (📄) or the assembly instruction (⚙️) of the parts. With a click on the symbol the associated PDF document can be opened.



From
DC-IA/SPF75

Our Reference

Telephone

Telefax



Stuttgart
22 May 2012

Memo


Getting product information for an order list

Hint: To view the pdf document in full screen mode, use the command „Full screen“ from the „view“ menu or double click on the document window title bar.

3 Collect product information for several order list entries

Each row in the order list contains two check boxes to select data sheets and assembly instructions () or CAD models () of the products.

No.	Q...	Pac...	Article no.	Designation	Parameter	Comm...	Weight	Produc...	Stat. article n...
1	12	1	M3842523918	ACCUMULATION ROLLER CHAIN, POLYAMID...	L_M= 300MM L= 12000MM			TS2	73151190
1	1	1	M3842523918	ACCUMULATION ROLLER CHAIN, POLYAMID...	L_M= 52640MM L= 12000MM			TS2	73151190
1	12	1	M3842523918	ACCUMULATION ROLLER CHAIN, POLYAMID...	L_M= 950MM L= 12000MM			TS2	73151190
3	2	1	3842999894	EQ 2/TR ELECTRICAL TRANSVERSE CONVEY...	BL= 320MM; BQ= 480MM; A= 90MM; VN= 12M/ MIN; U= 400V; F= 50HZ; AT= K			TS2	84313900
5	2	1	384291889	ST 2/R-100 SECTION	L= 1080MM			TS2	84313900
5	1	1	M3842523918	ACCUMULATION ROLLER CHAIN, POLYAMID...	L_M= 16640MM L= 12000MM			TS2	73151190
11	6	1	3842528192	CONNECTING KIT	AS2/ LM2/ B52/ B54/ KU2 - ST2/ SP2;		0,450 kg	TS2	85444290
11	7	1	3842528807	LM 2/R-100 RETURN UNIT	B= 480MM		3,930 kg	TS2	84313900
11	16	1	3842994635	QV 2 CROSS CONNECTOR	B= 480MM			TS2	84313900
11	2	1	3842994889	ST 2/R-100 SECTION	L= 660MM			TS2	84313900
11	5	1	3842998052	AS 2/R-300 DRIVE MODULE	B= 480MM; VN= 12M/ MIN; U= 400V; F= 50HZ; AT= K; MA= M; MM= 0°; RV= 0			TS2	84313900
14	2	1	M3842523918	ACCUMULATION ROLLER CHAIN, POLYAMID...	L_M= 52640MM L= 12000MM			TS2	73151190

Select the boxes where you need data sheets or a CAD model. Then execute the command “Product data” -> “Collect all product data...” from the “Order list” menu or click on the respective button () in the order list toolbar.

From
DC-IA/SPF75

Our Reference

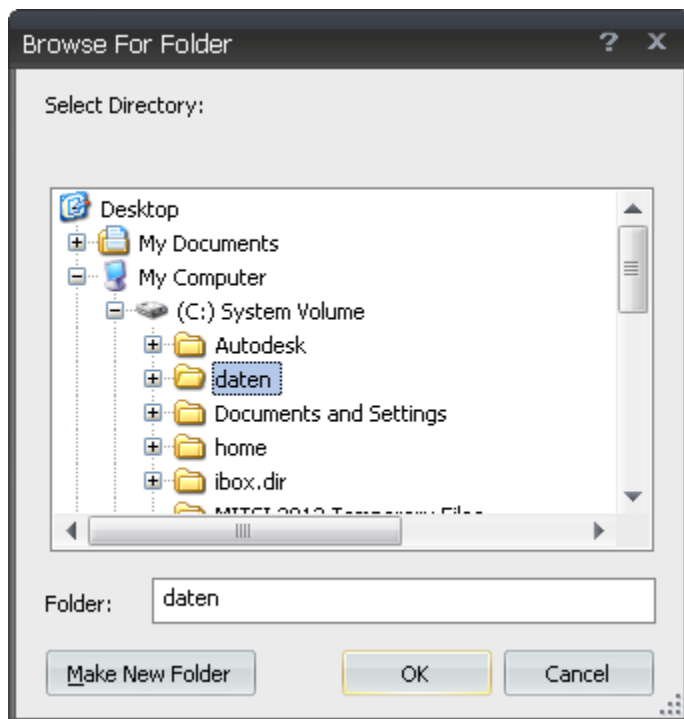
Telephone

Telefax

Stuttgart
22 May 2012

Memo

Getting product information for an order list



Afterwards, select the folder, in which MTpro is going to save the selected files. MTpro then copies all available documents into that folder and generates the selected CAD files.

Hint: The CAD model format can be defined in the “Extras” menu, under “Options...” -> “CAD output” -> “3D file exchange formats”