

From  
DC-IA/SPF75

Our Reference

Telephone  
+49 (0)711 / 811 - 32990

Telefax

Stuttgart  
22 November 2012

**Memo**

Recipient

Cc

**Positioning of parts using mounting properties**

This document describes how to position components in the MTpro Layout Designer by using the mounting properties.

**Table of Contents**

—

|   |                                |   |
|---|--------------------------------|---|
| 1 | Introduction.....              | 2 |
| 2 | Positioning of components..... | 3 |
| 3 | Reference points .....         | 4 |

From  
DC-IA/SPF75

Our Reference

Telephone  
+49 (0)711 / 811 - 32990

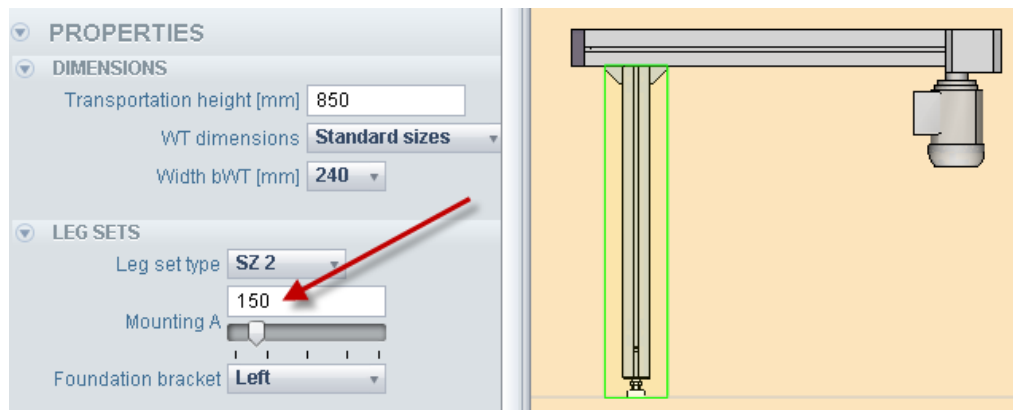
Telefax

Stuttgart  
22 November 2012

Memo

## Positioning of parts using mounting properties

### 1 Introduction



In MTpro components can be positioned by using the mounting properties. This makes it possible to shift connected components along a predefined line, for example leg sets, lift transverse units or connection elements.

From  
DC-IA/SPF75

Our Reference

Telephone  
+49 (0)711 / 811 - 32990

Telefax

Stuttgart  
22 November 2012

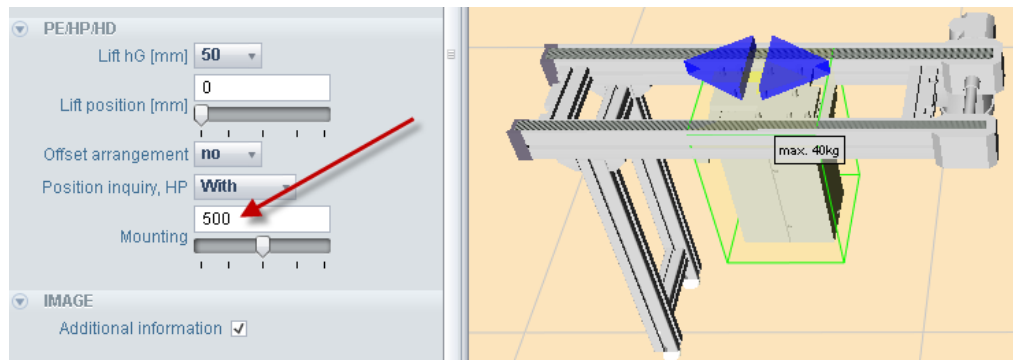
Memo

## Positioning of parts using mounting properties

## 2 Positioning of components

Mounting properties can be found on parts which have a degree of freedom, when they are snapped on other components. Typical examples are leg sets, lift transverse units, positioning units, stop gates and various components from Basic Mechanic Elements like joints or brackets.

Connect suitable components and select the part which you would like to align. In the properties dialog you can make a quick alignment with the slider. It is also possible to position exactly by typing in a numeric value:



From  
DC-IA/SPF75

Our Reference

Telephone  
+49 (0)711 / 811 - 32990

Telefax

Stuttgart  
22 November 2012

Memo

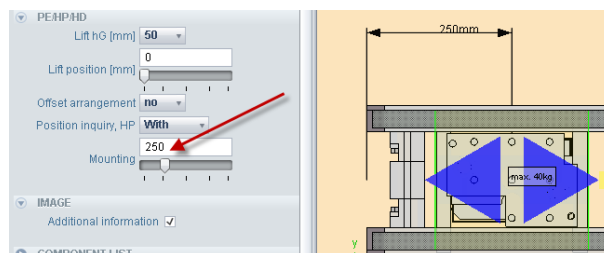
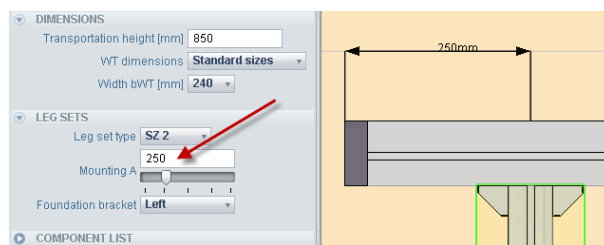
## Positioning of parts using mounting properties

### 3 Reference points

One reference point for mounting is normally the center of the moved part. The other reference point normally sits at the end of the inactive part. The following overview shows typical examples:

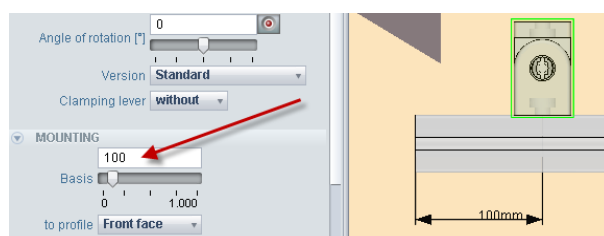
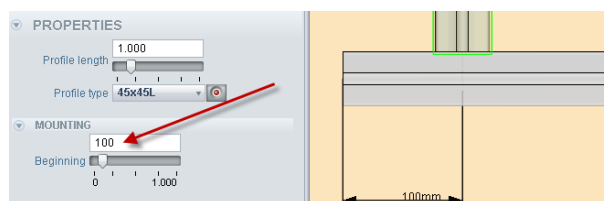
TS 1 / TS 2plus / TS 5:

Leg sets, position units, lift transversal units, lift rotate units, electrical transverse conveyors:



Basic mechanic elements:

Profiles, joints, parallel connectors, groove connectors:



From  
DC-IA/SPF75

Our Reference

Telephone  
+49 (0)711 / 811 - 32990

Telefax

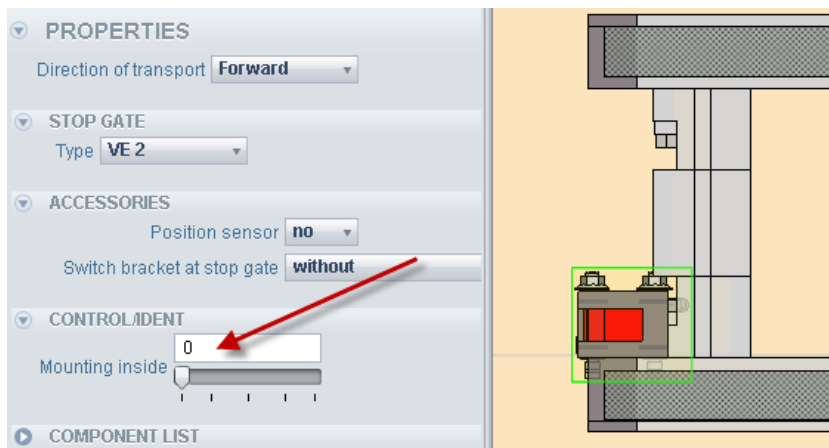
Stuttgart  
22 November 2012

Memo

### Positioning of parts using mounting properties

On some parts the reference point is not the part center. To find the reference point, please reset the mounting property to 0.

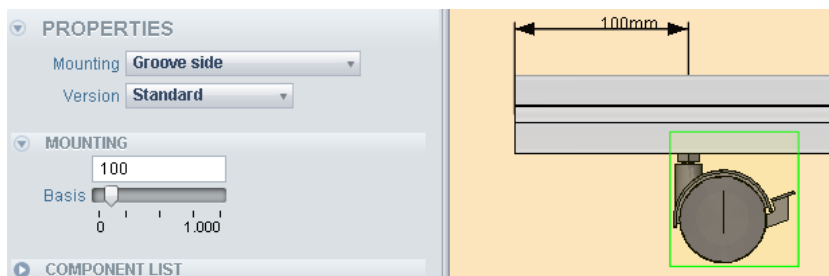
In the following example the reference point of the stop gate is located on the front of the ratchet:



Other parts with a reference point outside of the part center

Basic mechanic elements:

Wheels



Ts 2plus:

Stop gates / Scraper

