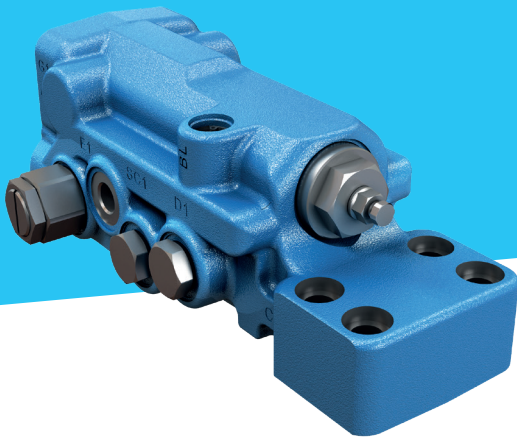


Compact, performing, flexible hydraulic solution: H-valve



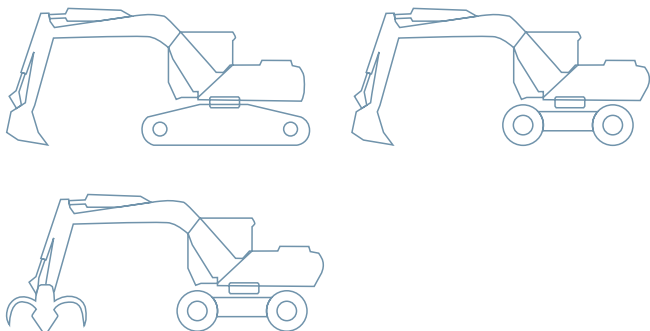
CUSTOMER BENEFITS

- Compact solution
- Lower pressure drop
- Easier installation (all ports placed on the back surface)
- Enhanced control
- Reduced Hysteresis
- Reduced overshoot in relief function

TECHNICAL DATA

Size	Flow	Pressure	Flange
2.5	up to 250 l/min	460 bar	1/2" and 3/4" SAE 6000
5.0	up to 500 l/min	460 bar	3/4" and 1" SAE 6000

APPLICATIONS



THE NEW CHECK AND METERING H-VALVE

Bosch Rexroth is expanding its range of check and metering valves with the introduction of the new solution **H-valve**. Perfectly suited to 08-ton 40-ton excavators, the new valve boasts very high performance thanks to its design, offering a low pressure drop meaning a significantly reduction of fuel consumption and improved controllability.

Bosch Rexroth can provide a new flexible and compact solution with all hydraulic ports rear mounted and a special manifold design which allows the right installation without any flange adapters: no changes needed on existing hydraulic systems.

For this new valve, a new improved die cast housing has been developed which permits very low pressure losses combined with a very compact manifold. The resulting valve is 21% lighter with a pressure drop reduction of 46% compared to the existing check and metering valves. Furthermore, the H-valve guarantees very low hysteresis and peaks of pressure in relief function ensuring limited stress for the cylinders. One solution to cover a wide range of machines: size 2.5 for flow rates up to 250 l/min and size 5.0 for flow demands up to 500 l/min.